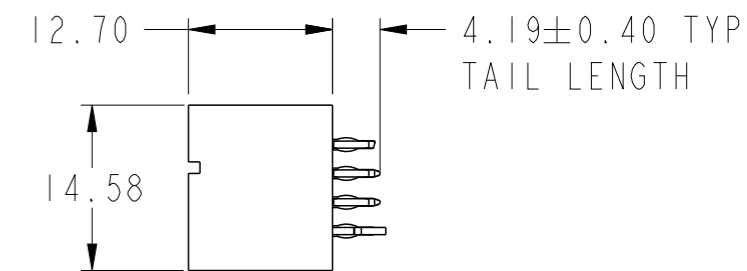
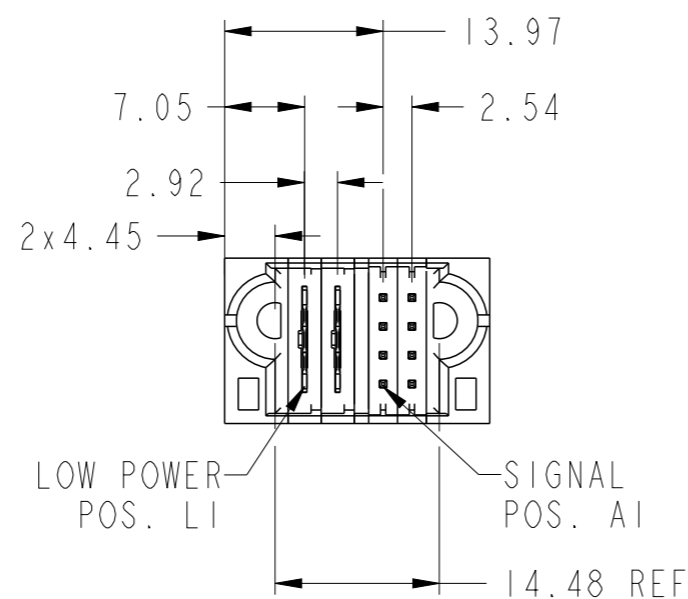
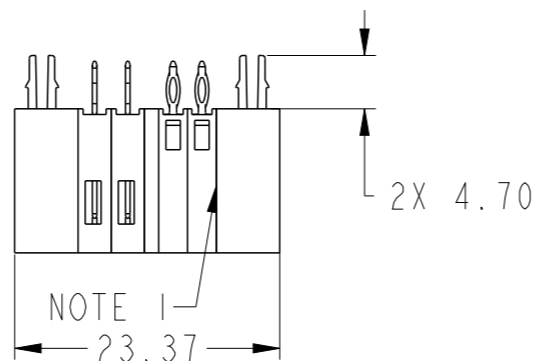
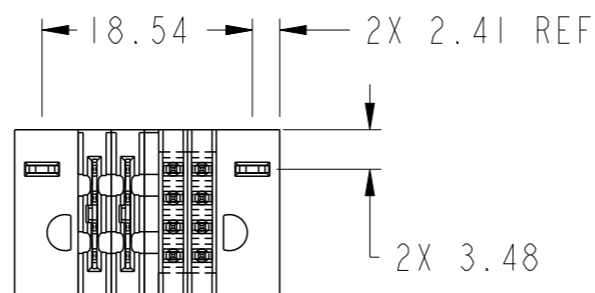


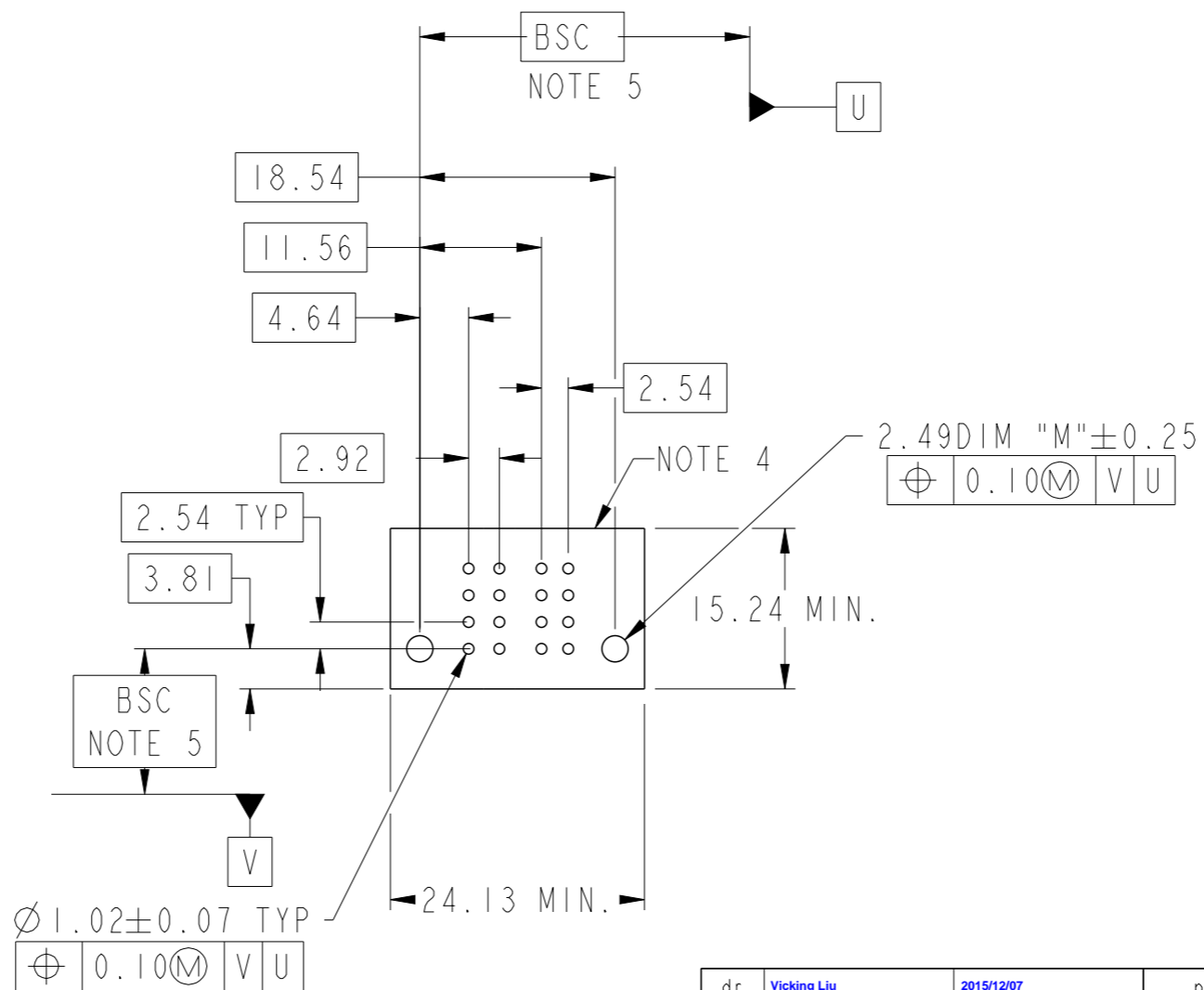
PART NUMBER SEE SHEET 2



spec ref	*	dr	Vicking Liu	2015/12/07	projection	MM	size	A3	scale	3:2	
tolerance std	ASME Y14.5	eng	Vicking Liu	2015/12/23			ecn no	ELX-DG-22832-1			
TOLERANCES UNLESS OTHERWISE SPECIFIED		chr	-	-				rel level	Released		
surface	linear	appr	Pei-Ming Zheng	2015/12/24	product family	PwrBlade+		rel level	Released		
ASME Y14.5	angular	0.X	±0.5		2LP + 8S		dwg no 10106267-0202001	rev		B	
		0.XX	±0.25		VERTICAL PF HEADER						
		0.XXX	±0.10		www.fci.com						
ASME Y14.5	angular	0°	±2°	cat. no.	Product - Customer Drw		sheet 1 of 3				

PRODUCT NO.	ROWS	SIGNAL					
		E1	P1	P2	1	2	E2
10106267-0202001LF	DCBA	LR LR		GG GG		GG GG	

CODE	DESCRIPTION
HA	METAL HOLD DOWN
L	STD SIGNAL CONTACT
LR	STD LOW POWER CONTACT



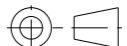
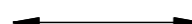

dr	Vicking Liu	2015/12/07	projection	MM	size	A3	scale	3:2
eng	Vicking Liu	2015/12/23			ecn no	ELX-DG-22832-1		
chr	-	-			rel level	Released		
appr	Pei-Ming Zheng	2015/12/24	product family	PwrBlade+				
			title	2LP + 8S		dwg no	10106267-0202001	
www.fci.com			cat. no.	Product - Customer Drw		rev	B	
			sheet 2 of 3					

NOTES:

- 1) "FCI", PART NUMBER AND DATE CODE TO BE MARKED ON THIS SURFACE.
THE MARK CAN BE OMITTED IF THERE IS NOT ENOUGH SPACE ON THIS SURFACE.
- 2) MATERIALS:
-HOUSING - GLASS FILLED WITH HIGH TEMP THERMOPLASTIC, UL94V-0.
-SIGNAL CONTACT - COPPER ALLOY.
-POWER CONTACT - HIGH CONDUCTIVITY COPPER ALLOY.
- 3) PLATING SPECIFICATION: 10116351
- 4) DENOTES CONNECTOR KEEP OUT ZONE.
- 5) DATUM AND BASIC DIMENSIONS ARE ESTABLISHED BY CUSTOMER.
- 6) ALL HOLE DIAMETERS ARE FINISHED HOLE SIZES.
- 7) 1.15 ±0.025MM DRILLED HOLE PLATED WITH 0.00762MM MIN Sn
OVER 0.0254-0.0762MM Cu PLATING TO ACHIEVE A 1.02 ±0.07MM HOLE.
- 8) PRODUCT SPECIFICATION: GS-12-658.
APPLICATION SPECIFICATION: GS-20-141.
PRODUCT PACKAGED IN TRAYS: GS-14-1502.



Copyright FCI.

dr	Vicking Liu	2015/12/07	projection 	MM 	size	A3	scale	3:2
eng	Vicking Liu	2015/12/23			ecn no	ELX-DG-22832-1		
chr	-	-			product family	PwrBlade+	rel level	Released
appr	Pei-Ming Zheng	2015/12/24			title 2LP + 8S VERTICAL PF HEADER	dwg no 10106267-0202001	rev B	
www.fci.com			cat. no.	Product - Customer Drw			sheet 3 of 3	