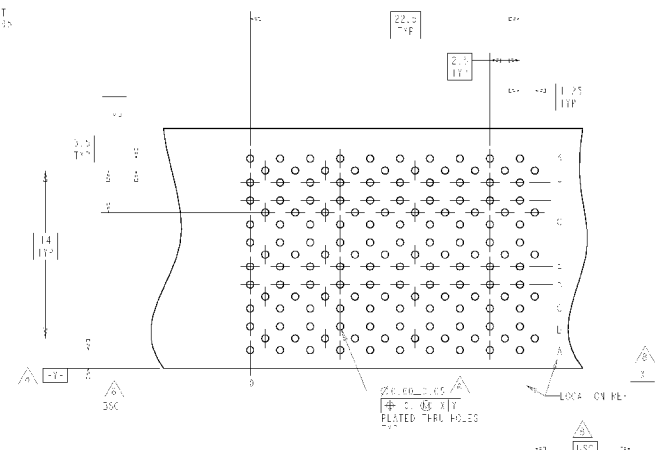
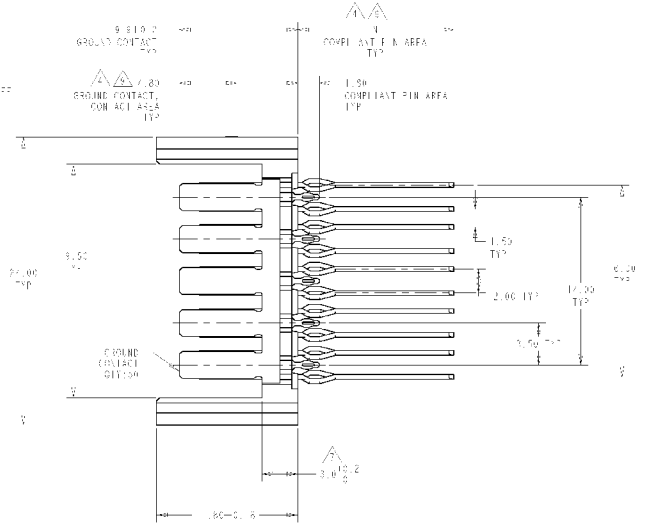
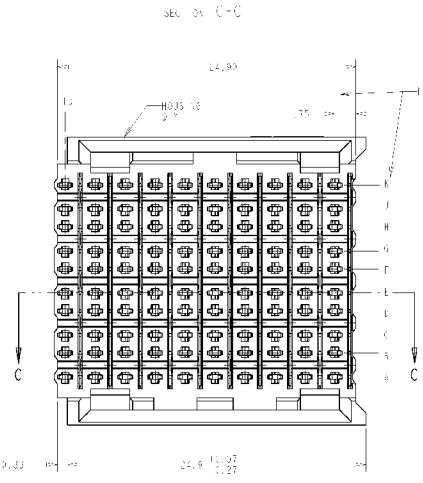
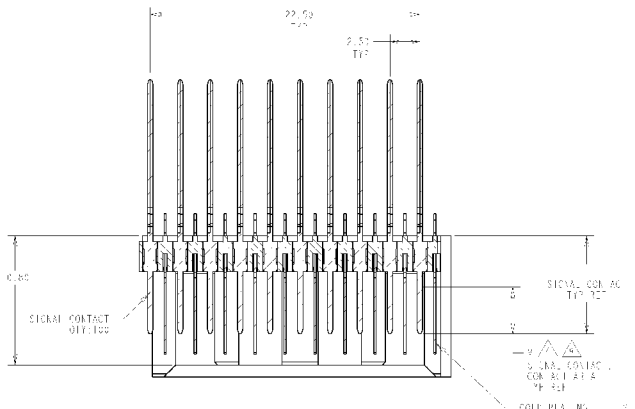


NO	REV	DATE	BY	CHK	APP	DESCRIPTION
1	AD	47				
2						REV. SIDE OF BOARD ONLY
3						REV. SIDE OF BOARD ONLY
4						REV. SIDE OF BOARD ONLY
5						REV. SIDE OF BOARD ONLY
6						REV. SIDE OF BOARD ONLY

- ▽ P-GOLD FINISH
- ▽ GOLD PLATED CONTACTS
- ▽ GOLD PLATE OVER THE ENTIRE SURFACE OF CONTACT AREA
- ▽ GOLD PLATE OVER THE ENTIRE SURFACE OF CONTACT AREA
- ▽ CONTACTOR MOUNTED TO THE BOARD BY SOLDER
- ▽ BUILT-IN FOLD DOWN FOR THE BOARD
- ▽ ALL SURFACES BEING TITANIUM OR TITANIUM COATED
- ▽ BRASS AND BASIC SOLUTIONS IS ALLOTTED BY DESIGNER
- ▽ CONTACT AREA (SEE SOLDER CONTACT APPROVED) DESIGNER'S COMMENTS: SEE DRAWING 11.000000



RECOMMENDED  
 PREFERRED CIRCUIT BOARD  
 LAYOUT  
 COMPONENT SIDE OF PRINTED CIRCUIT BOARD

4.50	5.30	0.7	12066-1-2
0.25	0.50	0.2	12066-1
			12066-1

<b>TECO</b> <small>TECHNICAL ELECTRONIC COMPANY</small> 11.000000 11.000000 11.000000		11.000000 11.000000 11.000000
PART NO.: 11.000000 REV. NO.: 11.000000		DATE: 11.000000
DRAWN BY: 11.000000 CHECKED BY: 11.000000		
APPROVED BY: 11.000000		
TITLE: 11.000000		

11.000000 11.000000 11.000000