



Data Sheet

AI-1224-TWT-5V-R

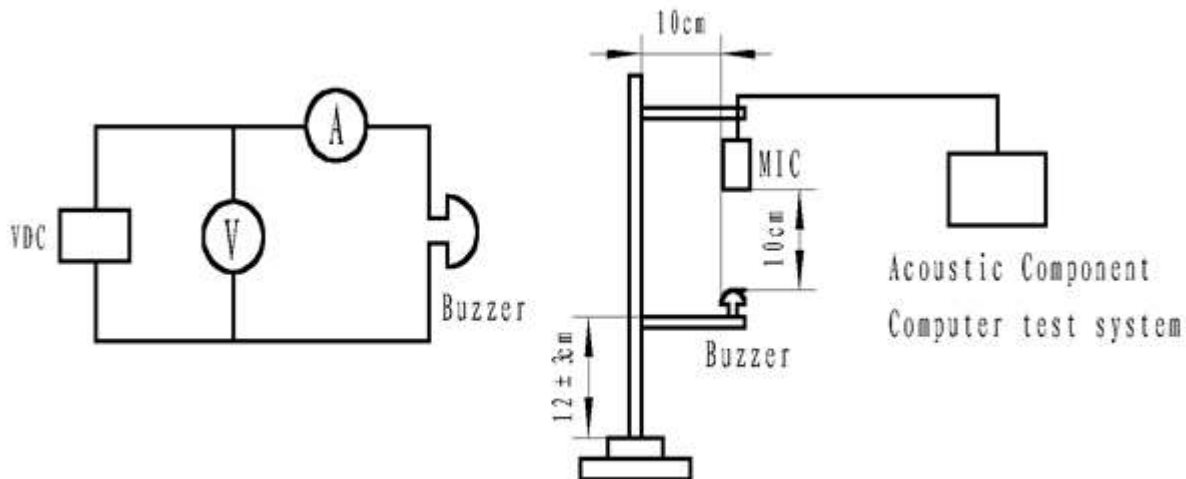
Features:

- Small 12mm diameter X 7.5mm height
- Minimum 85 dB output at 10cm
- Weighs 1.8 grams

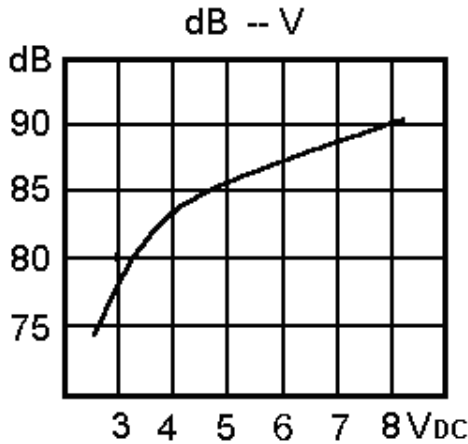
Indicator Specifications

Parameters	Values	Units
Rated Voltage	5	VDC
Operating Voltage Range	3 ~ 8	VDC
Current Draw at Rated Voltage	≤30	mA
Minimum SPL @ 10cm	≥85	dB
Resonant Frequency	2.4±0.3	kHz
Housing Material	PBT	-
Weight	1.8	Grams
Acceptable Soldering Methods	Hand Solder, Wave Solder	See page 3 for wave solder information
Environmental Compliances	RoHS	-
Storage Temperature	-30 ~ +80	°C
Operating Temperature	-20 ~ +70	°C

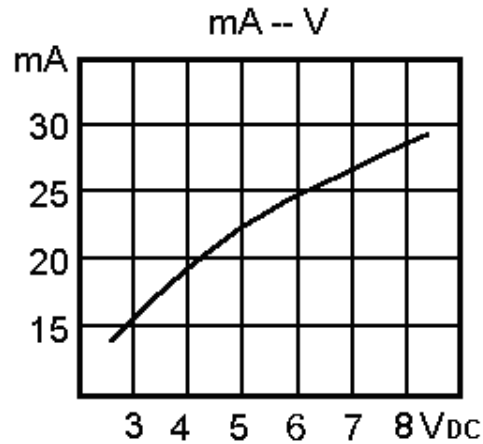
Measurement Method (5 VDC, 2.4 kHz, SPL meter spaced at 10cm)



Typical SPL vs Input Voltage



Typical Current Draw vs Input Voltage

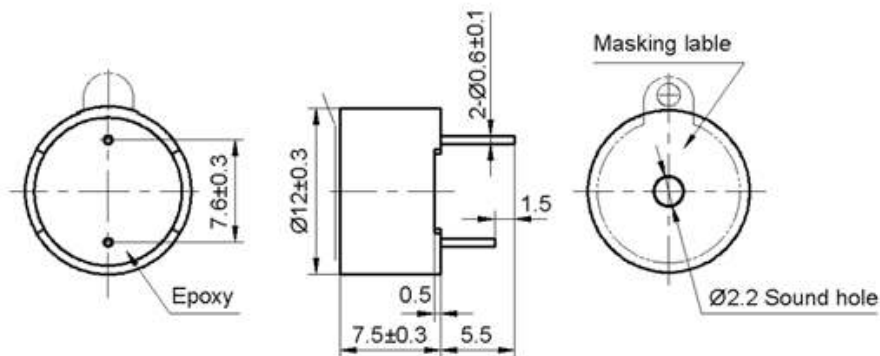


Reliability Testing

Type of Test	Test Specifications
High Temperature Test	+80±2°C, 96HRS
Low Temperature Test	-30±2°C, 96HRS
Humidity Test	40±2°C, 93% (+2/-3%) RH, 96HRS
Temperature Cycle Testing	5 cycles with 1 cycle consisting of: -30±2°C, 30 minutes Room temp., 15 minutes +80±2°C, 30 minutes Room temp., 15 minutes
Vibration Test	Make the test for the directions of X, Y, and Z (total of 0.5 hours). To-and-fro sweep time (from 10 to 55 Hz and then 55 to 10) under single amplitude of 1.0mm in 1 minute.
Drop Test	Drop 3 times from a height of 70cm onto the surface of a 10mm thick wooden board.

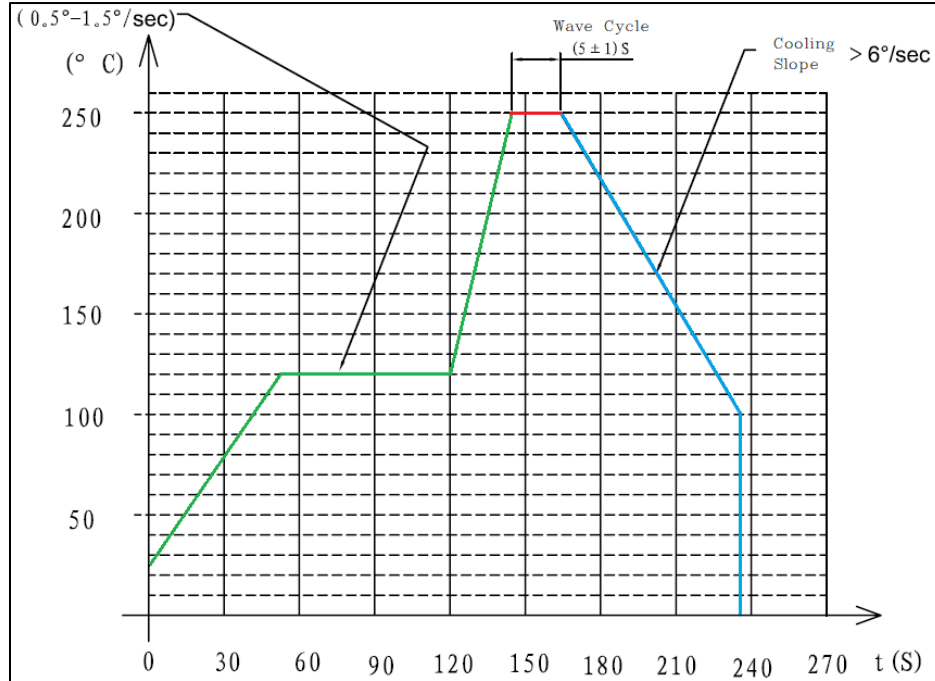
All specifications must be satisfied after the test.

Dimensions (Units: mm)

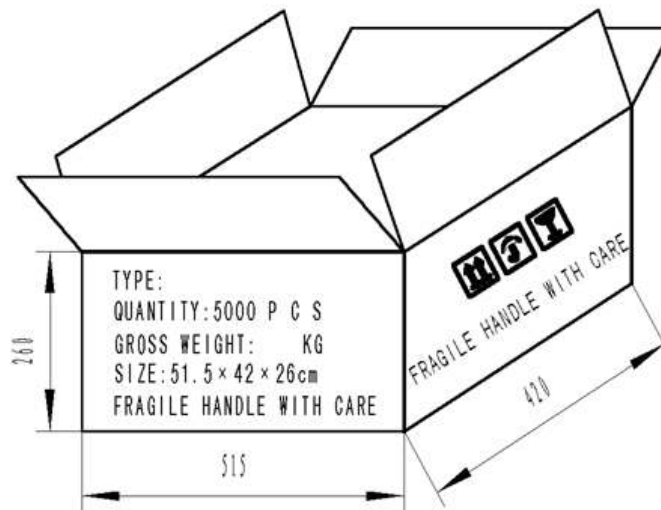


Tolerance: ± 0.5mm Except Specified

Recommended Wave Solder Profile



Packaging



NOTES:

- 1.100 PCS per box
- 2.Total 50 boxes per carton
- 3.Total 5000 PCS carton
- 4.Volume:51.5×42×26cm

Specifications Revisions

Revision	Description	Date
-	Released from Engineering	3/18/2020

Note:

1. Unless otherwise specified:
 - A. All dimensions are in millimeters.
 - B. Default tolerances are $\pm 0.5\text{mm}$ and angles are $\pm 3^\circ$.
2. Specifications subject to change or withdrawal without notice.