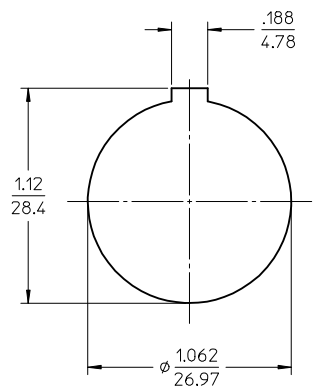
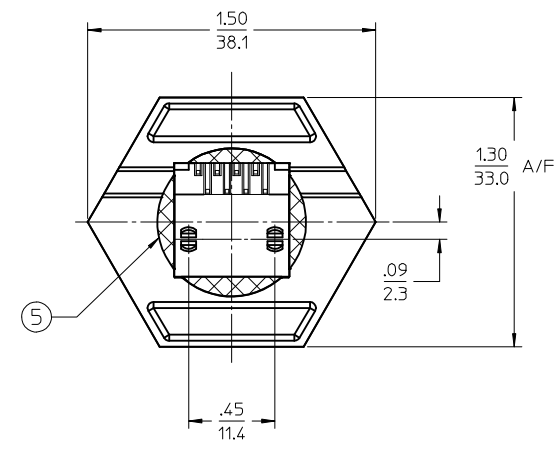
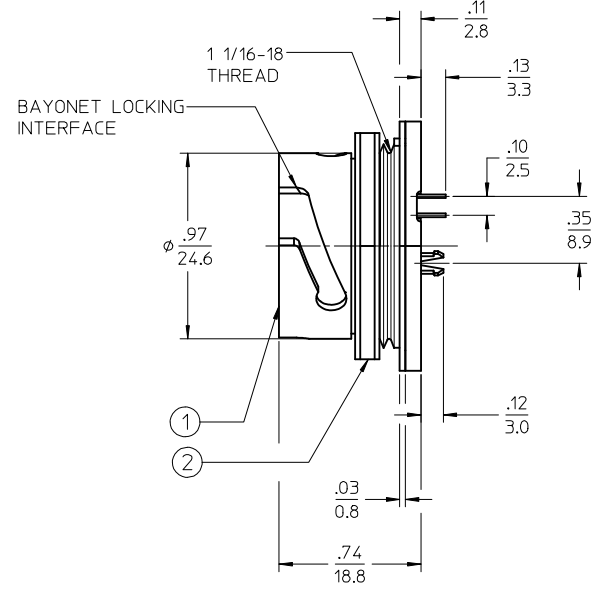
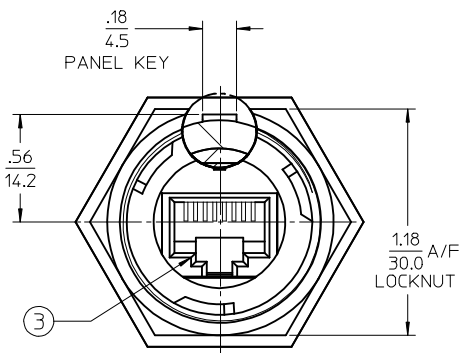
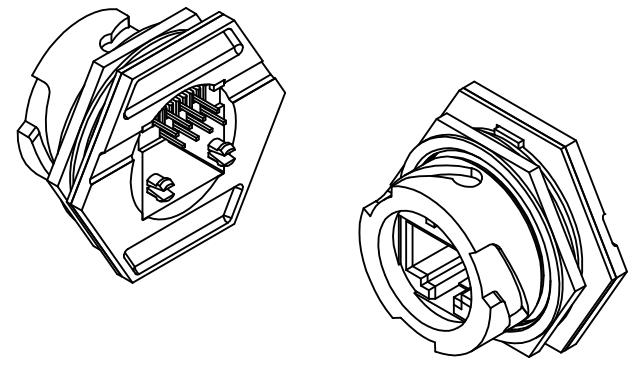
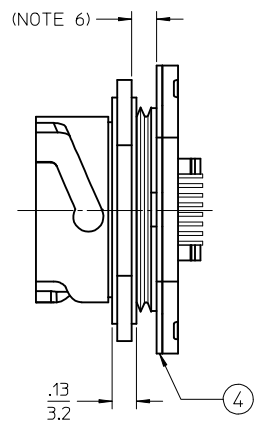


PTH REFERENCE  
SCALE 2:1



PANEL HOLE  
CUT OUT



- NOTES:
1. MATERIAL: SEE TABLE
  2. FINISHES: SEE TABLE
  3. ELECTRICAL SPECIFICATIONS  
VOLTAGE RATING: 30V  
CURRENT RATING: 1 AMP
  4. PROTECTION: IP67 (WHEN MATED)
  5. TEMP RANGE: 0°C TO +70°C (32°F TO 158°F)
  6. PANEL THICKNESS: .100 TO .028 (2.54 TO 0.71)
  7. DIMS SHOWN ARE FOR REFERENCE ONLY  
UNLESS OTHERWISE NOTED

REF. THIS DRAWING SUPERSEDES CADKEY DOC SD-84702-009 REV-C

5	POTTING	Ⓣ	EPOXY	
4	PANEL GASKET		NEOPRENE	BLACK
3	RJ45 JACK		NYLON, PHOS BRNZ	BLACK SHELL, GOLD PLT. CONT.
2	LOCKNUT		PA66 (NYLON)	BLACK
1	RECEPTACLE HOUSING		PBT	BLACK
ITEM	DESCRIPTION		MATERIAL	FINISH

REDRAWN REV'D EPOXY	QUALITY SYMBOLS
EC NO: JFG2017-0676	▽=0
DRAWN BY: DRWINRSTONE 2017/01/13	▽=0
CHKD BY: CHKDJK COX 2017/01/20	
APPR: BWOODMAN 2017/01/27	
DESCRIPTION	
REV	

GENERAL TOLERANCES (UNLESS SPECIFIED)
mm INCH
4 PLACES ± --- ± ---
3 PLACES ± --- ± ---
2 PLACES ± --- ± ---
1 PLACE ± --- ± ---
0 PLACE ± --- ± ---
ANGULAR ± --- °
DRAFT WHERE APPLICABLE MUST REMAIN WITHIN DIMENSIONS

DIMENSION STYLE	SCALE	DESIGN UNITS	THIRD ANGLE PROJECTION
IN/MM	2:1	INCH	
DRAWN BY: RSTONE	DATE: 2017/01/13	TITLE: RJ45 RECEPTACLE ASSY PCB MOUNT, POTTED INDUSTRIAL ETHERNET	
CHECKED BY: K COX	DATE: 2017/01/20	molex	
APPROVED BY: BWOODMAN	DATE: 2017/01/27		
MATERIAL NO. 847020007	DOCUMENT NO. SD-84702-009	SHEET NO. 1 OF 1	

THIS DRAWING CONTAINS INFORMATION THAT IS PROPRIETARY TO MOLEX INCORPORATED AND SHOULD NOT BE USED WITHOUT WRITTEN PERMISSION