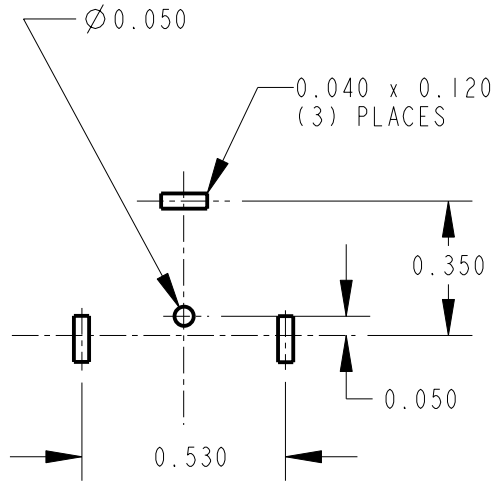
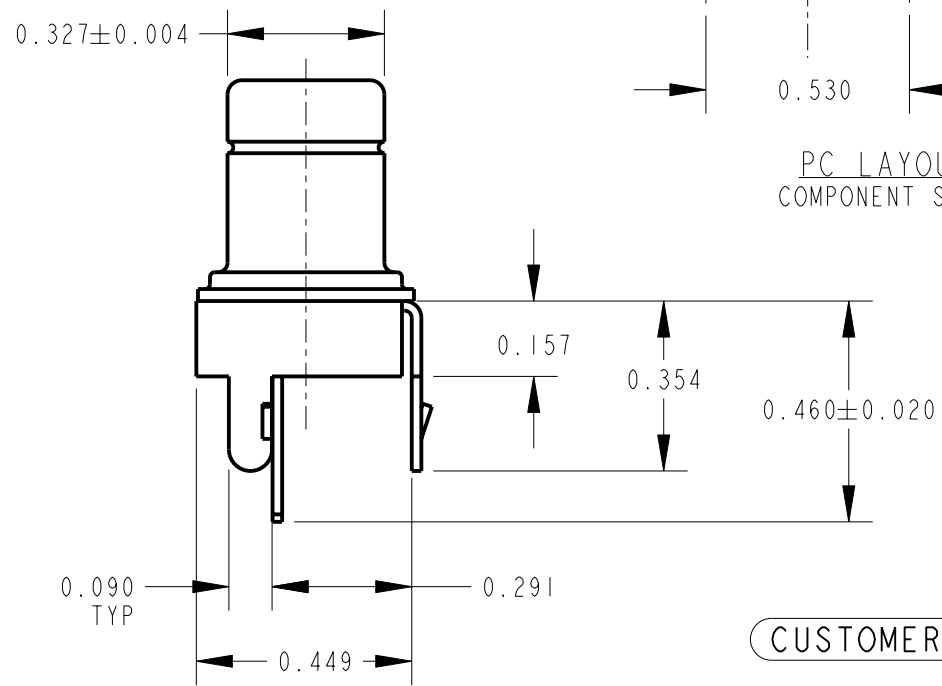
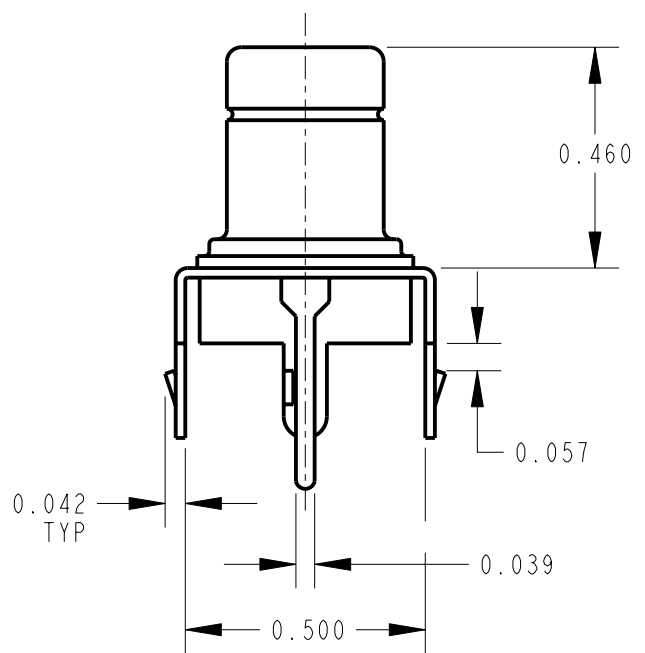


NOTES:

1. ALL DIMENSIONS ARE REFERENCE.
2. MATERIALS:
FRAME & SHELL - STEEL, TIN PLATED
CENTER TERMINAL - BRASS, TIN PLATED
INSULATORS - THERMOPLASTIC, BLACK
3. THIS PRODUCT IS RoHS COMPLIANT.



PC LAYOUT
COMPONENT SIDE



CUSTOMER DRAWING

REV	ECO NUMBER	DATE	BY	APVD
A	26024	3-9-07	TJK	GG
REVISIONS				

★ STAR SYMBOL DENOTES CRITICAL DIMENSION

UNLESS OTHERWISE SPECIFIED

1. ALL DIMENSIONS IN INCHES
- TWO PLACE DECIMALS ±0.01
- THREE PLACE DECIMALS ±0.005
- ANGLES ±1°
- ALL DIA. CONCENTRIC WITHIN 0.005 T.I.R.
2. FEATURES ON THE SAME CENTERLINE MUST BE ALIGNED WITHIN ±0.002
3. REMOVE ALL BURRS

DO NOT SCALE DRAWING

THIS DRAWING DESCRIBES A DESIGN CONSIDERED PROPRIETARY IN NATURE, DEVELOPED AND MANUFACTURED BY SWITCHCRAFT INC. AND IS RELEASED ON A CONFIDENTIAL BASIS FOR IDENTIFICATION PURPOSES ONLY.				
SIZE	WIDTH	MULT	LBS/M	TEMPER
FINISH		MATERIAL		
SPEC No.		SPEC No.		
FIRST USED ON		SCALE		
		5:2		
DATE DRAWN	BY	CHKD	APVD	
3-9-07	TJK	TJK 3-9-07	GG 3-9-07	
NAME		PART No.		REV
RCA JACK, RoHS VERTIACL PC MOUNT		3514PCX		A