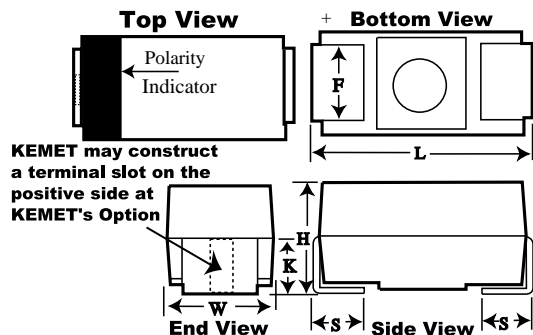


B45196H, Tantalum, MnO2 Tantalum, 4.7 uF, 10%, 16 V, SMD, Molded, 4 Ohms, 3216, Height Max = 1.8mm



| General Information |               |
|---------------------|---------------|
| Supplier:           | KEMET         |
| Series:             | B45196H       |
| Dielectric:         | MnO2 Tantalum |
| Style:              | SMD Chip      |
| Description:        | SMD, Molded   |
| Features:           | Automotive    |
| RoHS:               | Yes           |
| Termination:        | Tin           |
| Notes:              | Obsolete      |

| Dimensions |                |
|------------|----------------|
| Footprint  | 3216           |
| L          | 3.2mm +/-0.2mm |
| W          | 1.6mm +/-0.2mm |
| H          | 1.6mm +/-0.2mm |
| S          | 0.8mm +/-0.3mm |
| F          | 1.2mm +/-0.1mm |
| K          | 1.3mm TYP      |

| Packaging Specifications |            |
|--------------------------|------------|
| Packaging:               | T&R, 330mm |
| Packaging Quantity:      | 9000       |

| Specifications         |   |
|------------------------|---|
| Capacitance:           | 4.7 uF  |
| Capacitance Tolerance: | 10%   |
| Voltage DC:            | 16 VDC (85C), 10.72 VDC (125C)                          |
| Temperature Range:     | -55/+125C   |
| Rated Temperature:     | 85C   |
| Dissipation Factor:    | 6%  |
| Failure Rate:          | N/A   |
| Resistance:            | 4 Ohms (100kHz)   |
| Current:               | 136.9 mAmps (25C), 123.2 mAmps (85C), 54.8 mAmps (125C) |
| Leakage Current:       | 0.8 uA  |