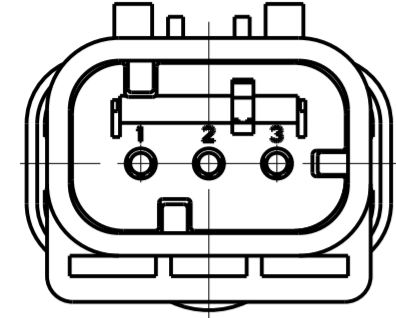
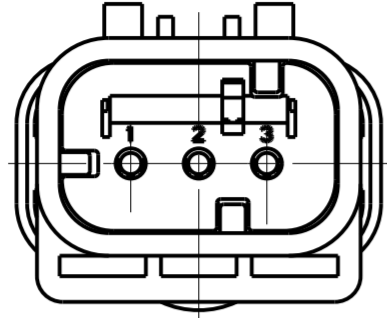


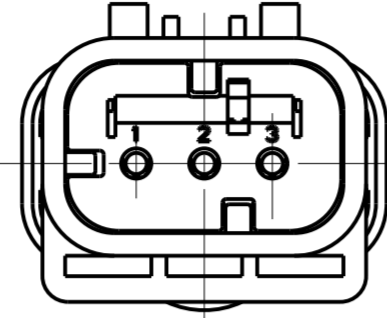
REVISIONS				
P	LTR	DESCRIPTION	DATE	APVD
B	I	REVISED PER ECR-10-019377	30SEP2010	HMR TM
C		REVISED PER ECR-14-000206	26DEC2013	PV RB



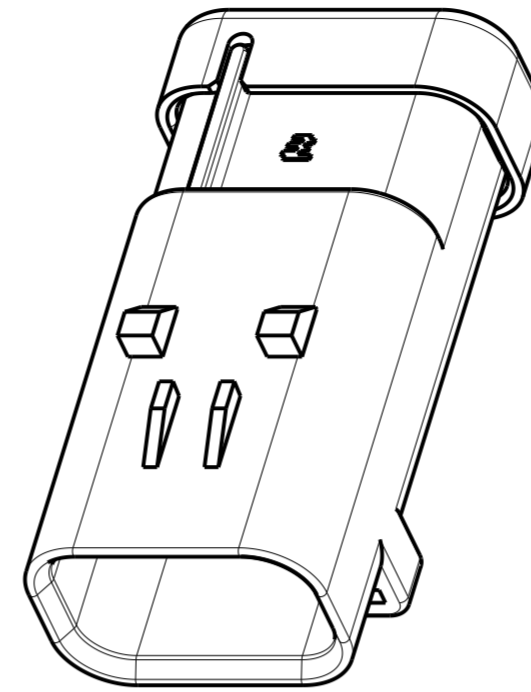
1717673-2  
SCALE 2:1



1717673-3  
SCALE 2:1



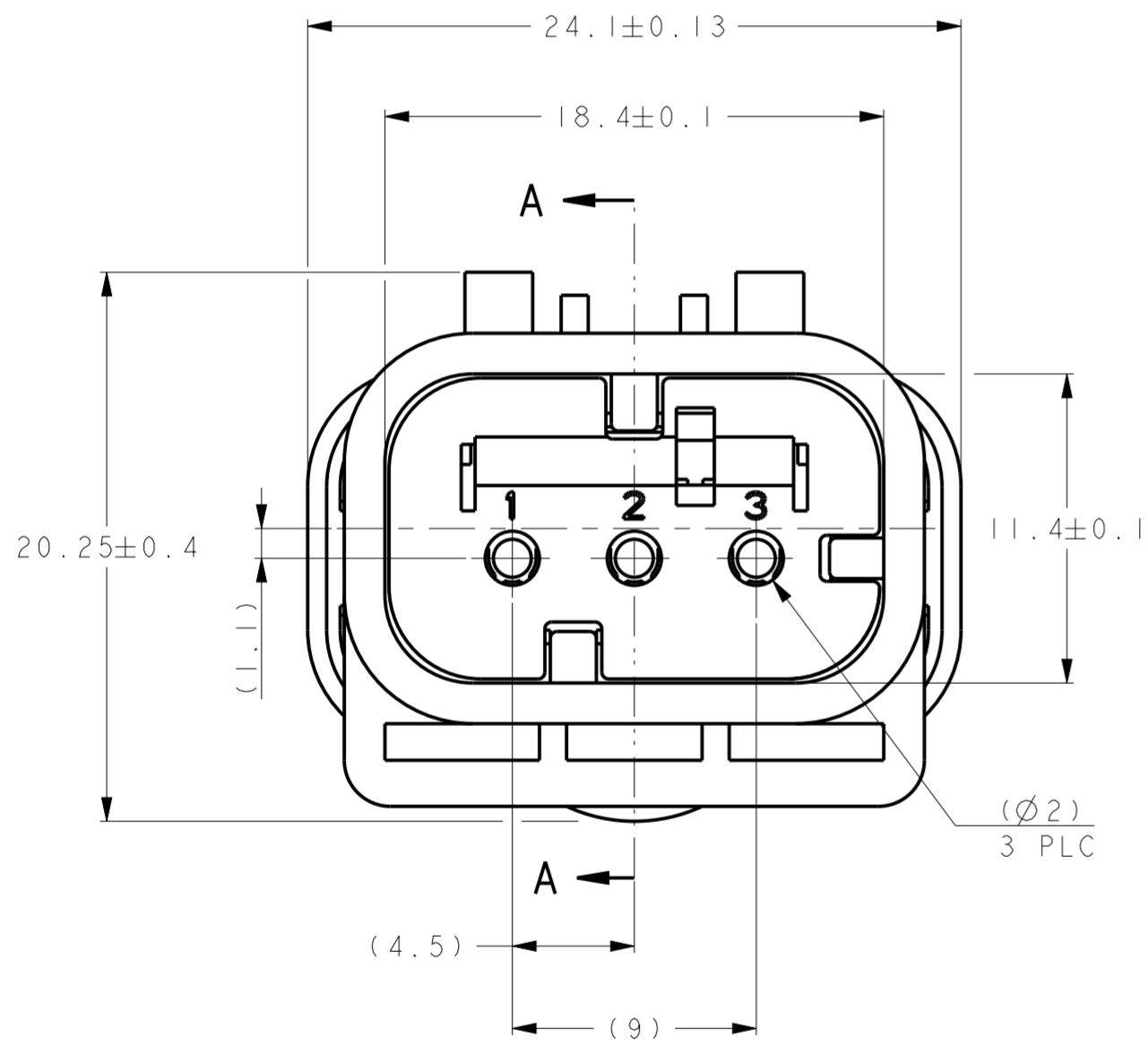
1717673-4  
SCALE 2:1



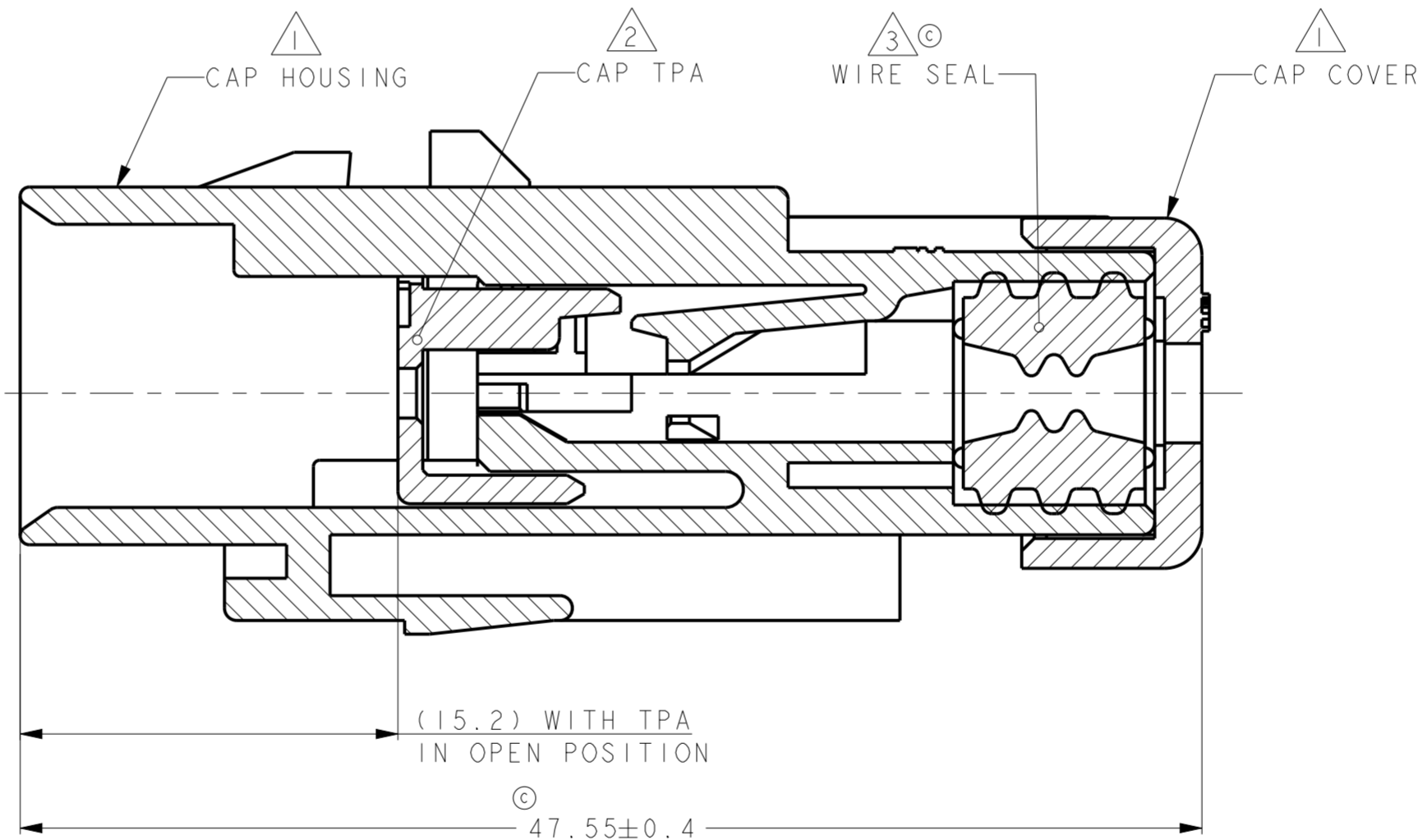
SCALE 2:1

- ① MATERIAL: 15% GLASS FILLED THERMOPLASTIC  
COLOR: BLACK
- ② MATERIAL: 15% GLASS FILLED THERMOPLASTIC  
COLOR: (SEE TABLE)
- ③ MATERIAL: SILICONE  
COLOR: GREEN

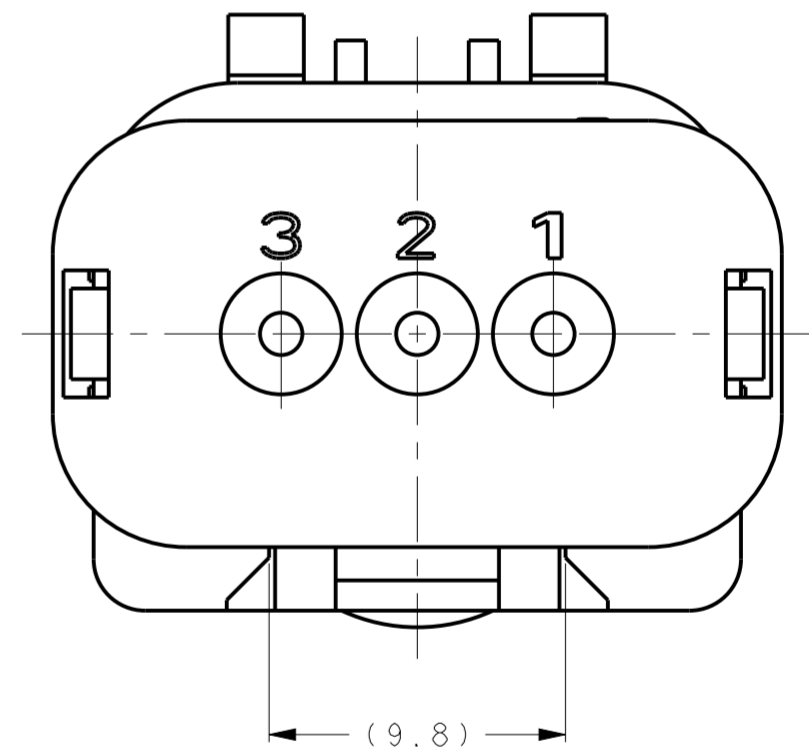
4. WIRE INSULATION RANGE:  $\varnothing 2.24 \sim \varnothing 3.94$



1717673-1 SHOWN



A - A  
OPEN POSITION



GREEN	1717673-4
YELLOW	1717673-3
GRAY	1717673-2
RED	1717673-1
TPA COLOR	PART NUMBER

THIS DRAWING IS A CONTROLLED DOCUMENT.		DWN Y. KATO 15JAN2004	TE Connectivity													
DIMENSIONS: mm		CHK S. MANABE 15JAN2004														
TOLERANCES UNLESS OTHERWISE SPECIFIED		APVD S. MANABE 15JAN2004														
<table border="1"> <tr> <td>0 PLC</td> <td>±</td> </tr> <tr> <td>1 PLC</td> <td>±</td> </tr> <tr> <td>2 PLC</td> <td>±</td> </tr> <tr> <td>3 PLC</td> <td>±</td> </tr> <tr> <td>4 PLC</td> <td>±</td> </tr> <tr> <td>ANGLES</td> <td>±</td> </tr> <tr> <td>FINISH</td> <td></td> </tr> </table>		0 PLC		±	1 PLC	±	2 PLC	±	3 PLC	±	4 PLC	±	ANGLES	±	FINISH	
0 PLC	±															
1 PLC	±															
2 PLC	±															
3 PLC	±															
4 PLC	±															
ANGLES	±															
FINISH																
MATERIAL		Customer Drawing	NAME CAP ASSY, 3 POS. BRACKET REVERSE TYPE AMP SEAL 16 SIZE CAGE CODE DRAWING NO A200779 C-1717673 RESTRICTED													
1471-9 (3/13)		SCALE 4:1	SHEET OF REV C													