

# SACC-M12MS-8CON-DM 3-5 SH VA - Connector



1411906

<https://www.phoenixcontact.com/pc/products/1411906>

Please be informed that the data shown in this PDF document is generated from our online catalog. Please find the complete data in the user documentation. Our general terms of use for downloads are valid.



Connector, 8-position, shielded, Plug straight M12, A, Screw connection, knurl material: Stainless steel 1.4404, cable gland M16, external cable diameter 3 mm ... 5.5 mm

## Your advantages

- Safe use in the field, thanks to a high degree of protection
- Screw connection: proven connection technology for a large selection of different conductors
- Reliable signal transmission – 360° shielding in environments with electromagnetic interference

## Commercial data

Item number	1411906
Packing unit	1 pc
Minimum order quantity	25 pc
Product key	BF2CBA
GTIN	4046356945394
Weight per piece (including packing)	59.71 g
Weight per piece (excluding packing)	59.71 g
Customs tariff number	85366990
Country of origin	DE

# SACC-M12MS-8CON-DM 3-5 SH VA - Connector



1411906

<https://www.phoenixcontact.com/pc/products/1411906>

## Technical data

### Notes

General	<b>NOTE:</b> Observe the permissible bending radii when laying conductors, since the degree of protection may be put in jeopardy if the bending forces are too high. Alleviate mechanical loads upstream of the connector, e.g. by using cable ties.
---------	--

### Mounting

Connection method	Screw connection
-------------------	------------------

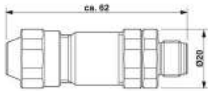
### Product properties

Product type	Circular connector (cable-side)
Number of positions	8
No. of cable outlets	1
Shielded	yes
Coding	A
Cable outlet	straight
Pg screw connection	M16

### Insulation characteristics

Overvoltage category	II
Degree of pollution	3

### Dimensions

Dimensional drawing	
Length	62 mm

### External dimensions

Outside diameter	3 mm ... 5.5 mm
------------------	-----------------

### Housing

Diameter housing	20 mm
------------------	-------

### Material specifications

Seal material	FKM
Material of grip body	Stainless steel 1.4404
Contact material	CuZn
Contact surface material	Au
Contact carrier material	PA
Material for screw connection	Stainless steel 1.4404

1411906

<https://www.phoenixcontact.com/pc/products/1411906>

## Connection data

### Conductor connection

Connection method	Screw connection
Connection cross section	0.25 mm <sup>2</sup> ... 0.5 mm <sup>2</sup> (without ferrule)
	0.14 mm <sup>2</sup> ... 0.34 mm <sup>2</sup> (with ferrule)
	0.25 mm <sup>2</sup> ... 0.5 mm <sup>2</sup> (solid)
Connection cross section AWG	24 ... 20 (without ferrule)
	26 ... 22 (with ferrule)
Stripping length of the individual wire	5 mm
Tightening torque	0.4 Nm (M12 knurl)
	0.2 Nm (Screw terminal blocks)
	0.3 Nm ... 0.4 Nm (Pressure nut with sleeve housing with 3 mm ... 4 mm external cable diameter )
	0.8 Nm ... 1 Nm (Pressure nut with sleeve housing with 4 mm ... 8 mm external cable diameter )

## Electrical properties

Rated surge voltage	0.8 kV
Contact resistance	≤ 3 mΩ
Insulation resistance	≥ 100 MΩ
Nominal voltage U <sub>N</sub>	30 V DC
	30 V AC
Nominal current I <sub>N</sub>	2 A

## Mechanical properties

### Mechanical data

Insertion/withdrawal cycles	≥ 100
-----------------------------	-------

## Connector

### Connection 1

Head design	Plug
Head cable outlet	straight
Head thread type	M12
Coding	A

## Cable/line

Stripping length of the individual wire	5 mm
---	------

## Environmental and real-life conditions

### Ambient conditions

Degree of protection	IP65
	IP67

# SACC-M12MS-8CON-DM 3-5 SH VA - Connector



1411906

<https://www.phoenixcontact.com/pc/products/1411906>

	IP69K
Ambient temperature (operation)	-40 °C ... 85 °C (Plug / socket)

## Standards and regulations

Standard designation	M12 connector
Standards/specifications	IEC 61076-2-101

# SACC-M12MS-8CON-DM 3-5 SH VA - Connector

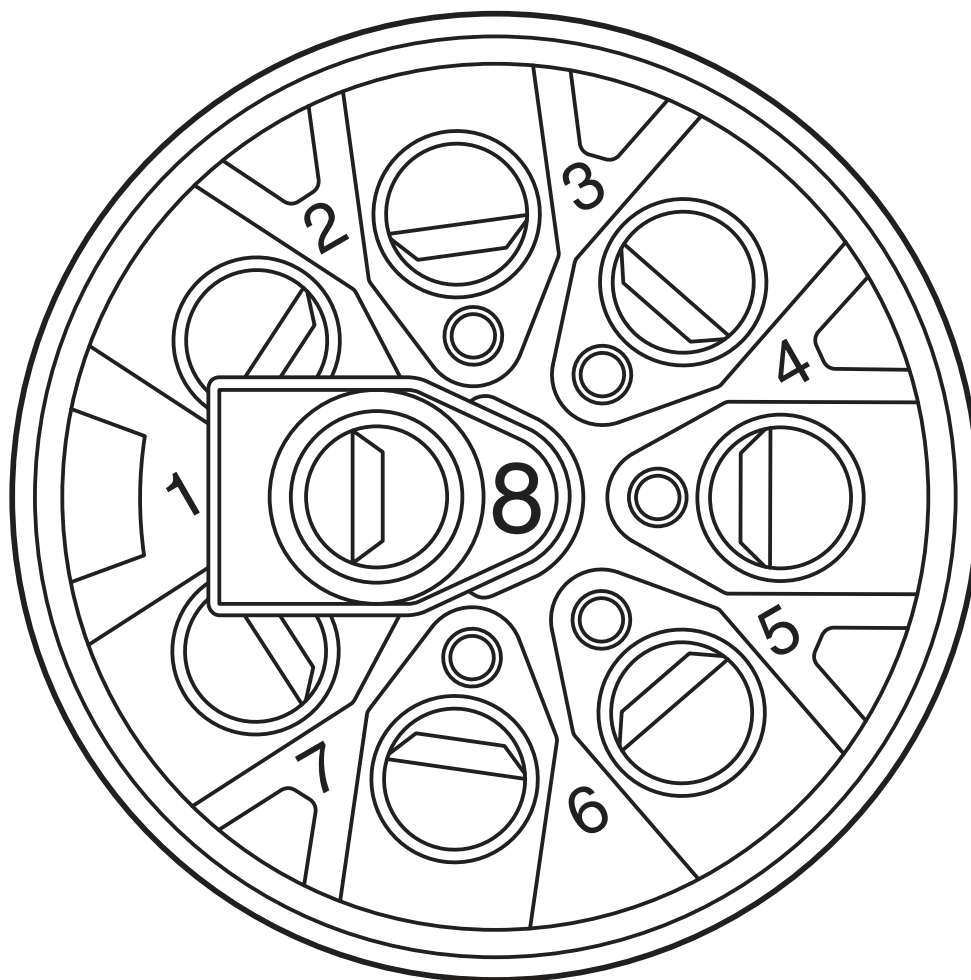


1411906

<https://www.phoenixcontact.com/pc/products/1411906>

## Drawings

Schematic diagram

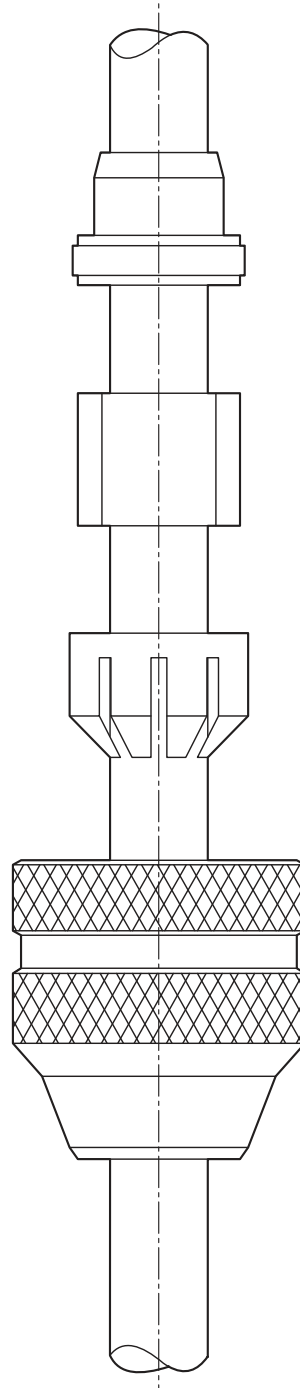


Cable connection side M12 (screw connection)

1411906

<https://www.phoenixcontact.com/pc/products/1411906>

Functional drawing



## Assembly steps for M12 male/female plug and conductor

a = Slide on parts

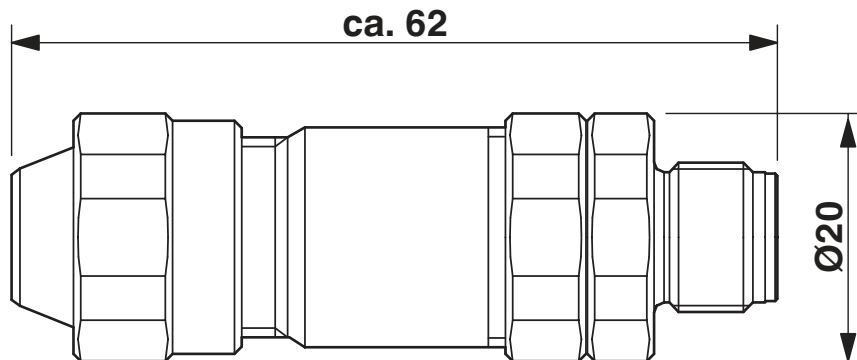
b= Strip conductor, widen shield and lay around the shielding ring, cut off projecting mesh. Slide cores through the housing. Mount shielding ring, gasket and clamping cage. Tighten pressure screw to fix the cable. Screw down cores. Mount male/female part. Tighten pressure screw.

# SACC-M12MS-8CON-DM 3-5 SH VA - Connector

1411906

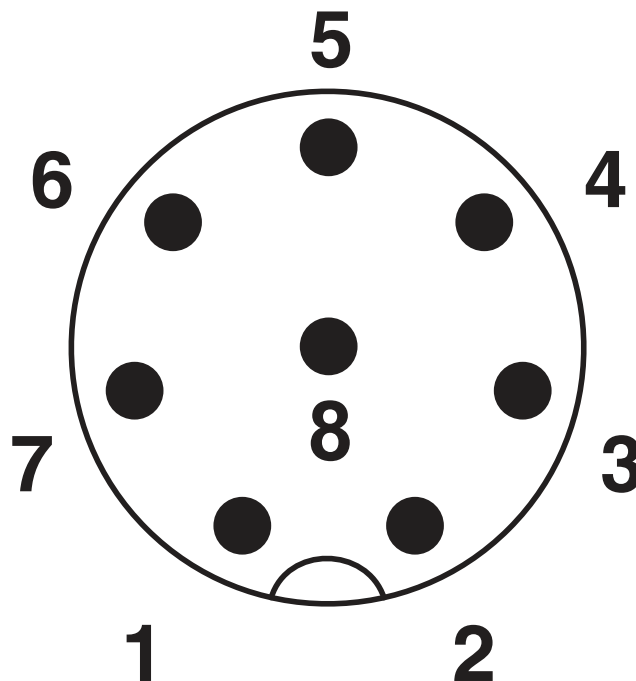
<https://www.phoenixcontact.com/pc/products/1411906>

Dimensional drawing



Plug, M12 x 1, straight, shielded

Schematic diagram



Pin assignment M12 plug, 8-pos., A-coded, view plug side

# SACC-M12MS-8CON-DM 3-5 SH VA - Connector



1411906

<https://www.phoenixcontact.com/pc/products/1411906>

## Classifications

### ECLASS

ECLASS-11.0	27440102
ECLASS-12.0	27440116
ECLASS-13.0	27440116

### ETIM

ETIM 8.0	EC002635
----------	----------

### UNSPSC

UNSPSC 21.0	39121400
-------------	----------



1411906

<https://www.phoenixcontact.com/pc/products/1411906>

## Environmental product compliance

REACH SVHC	Lead 7439-92-1
China RoHS	Environmentally Friendly Use Period = 50 years
	For information on hazardous substances, refer to the manufacturer's declaration available under "Downloads"

# SACC-M12MS-8CON-DM 3-5 SH VA - Connector



1411906

<https://www.phoenixcontact.com/pc/products/1411906>

## Accessories

### PROT-M12 FS - Sealing cap

1560251

<https://www.phoenixcontact.com/pc/products/1560251>



M12 sealing cap for unoccupied M12 plugs of the sensor/actuator cable, flush-type plugs and I/O devices in the field

---

### TSD 04 SAC - Torque screwdriver

1208429

<https://www.phoenixcontact.com/pc/products/1208429>



Torque screwdriver, with preset torque of 0.4 Nm and 4 mm hexagonal drive for M12 connectors

# SACC-M12MS-8CON-DM 3-5 SH VA - Connector



1411906

<https://www.phoenixcontact.com/pc/products/1411906>

## SACC BIT M12-W18 - Tool

1231753

<https://www.phoenixcontact.com/pc/products/1231753>

Nut for assembling M12 connectors designed for assembly, with a hexagonal knurl wrench size of 18 mm, with 4 mm hexagonal drive



---

## CRIMPFOX 6H - Crimping pliers

1212046

<https://www.phoenixcontact.com/pc/products/1212046>

Crimping pliers, for ferrules without insulating collar according to DIN 46228 Part 1 and ferrules with insulating collar according to DIN 46228 Part 4, 0.14 mm<sup>2</sup> ... 6 mm<sup>2</sup>, unlockable pressure lock, lateral entry



# SACC-M12MS-8CON-DM 3-5 SH VA - Connector



1411906

<https://www.phoenixcontact.com/pc/products/1411906>

## VS-CABLE-STRIP-VARIO - Stripping tool

1657407

<https://www.phoenixcontact.com/pc/products/1657407>

Stripping tool, for the multi-level stripping of shielded cables



---

## WIREFOX SAC - Stripping tool

1212623

<https://www.phoenixcontact.com/pc/products/1212623>

Stripping pliers, for halogen-free sensor/actuator cables (SAC cables), with PUR and PVC insulation, from Ø of 4.4 to 7 mm, any stripping length



# SACC-M12MS-8CON-DM 3-5 SH VA - Connector



1411906

<https://www.phoenixcontact.com/pc/products/1411906>

## SZS 0,4X2,0 - Screwdriver

1205202

<https://www.phoenixcontact.com/pc/products/1205202>



Micro screwdriver, bladed, size: 0.4 x 2.0 x 60 mm, 2-component grip, with non-slip grip and twist cap

---

Phoenix Contact 2023 © - all rights reserved

<https://www.phoenixcontact.com>

PHOENIX CONTACT GmbH & Co. KG

Flachsmarktstraße 8

D-32825 Blomberg

+49 (0) 5235-3 00

[info@phoenixcontact.com](mailto:info@phoenixcontact.com)