

PART NAME: KNOB+SKIRT ASSEMBLY | SCALE: 1:1 | DATE: 1/14/2000 | DR. BY ST

DAVIES MOLDING COMPANY, LLC.  
CAROL STREAM, ILLINOIS 60188

P/N 4104CB

THIS DRAWING IS THE PROPERTY OF DAVIES MOLDING COMPANY, IS SUBMITTED SOLELY AS A DESIGN OR ENGINEERING PROJECT. WE ACCEPT NO RESPONSIBILITY WHATSOEVER FOR THE PRACTICAL APPLICATION OF THE PIECES MADE TO THIS DESIGN.

BASE PART 4100-01

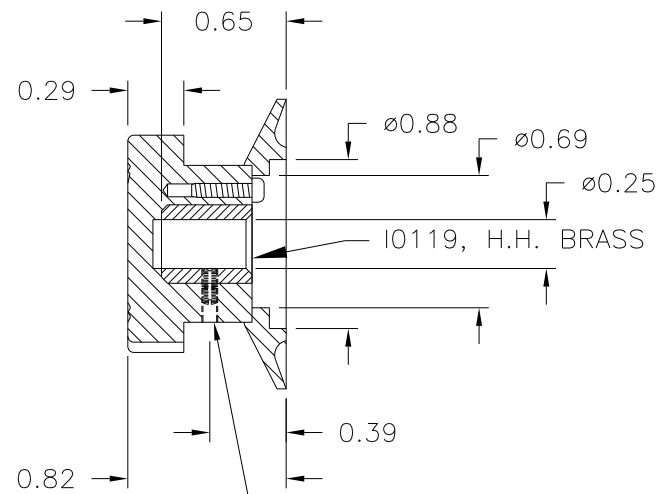
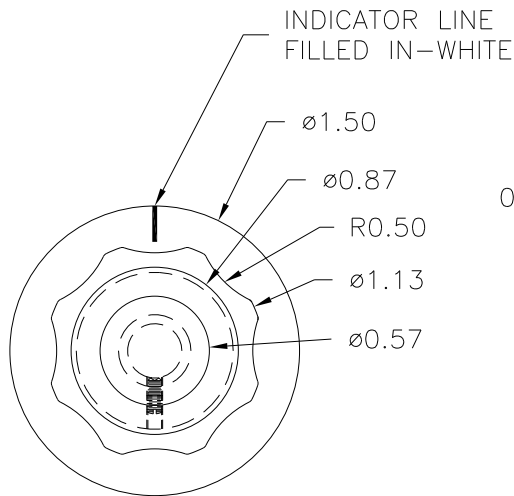
SKIRT 4110-AQ

SCREWS I0375

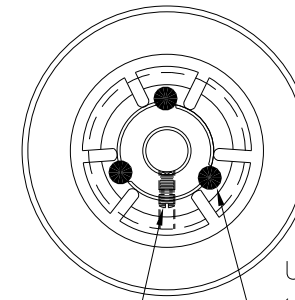
SET SCREW I0328

(A)

(A)

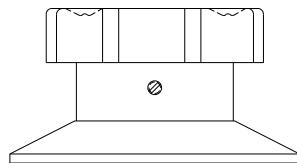


#8-32 UNC-2 THREADED,  
SLOTTED SET SCREW I0328



(B)

USE #51 DRILL (Ø0.067)  
(3) #0 SELF TAPPING  
SCREWS I0375



MATERIAL: G.P. PHENOLIC (B11)  
COLOR: BLACK

TOLERANCES: UNLESS OTHERWISE SPECIFIED	DO NOT SCALE DRAWING	B	WAS #50	JAM	2/5/14
		-	UPDATED TOOLBOX	JAM	2/19/03
DECIMALS: X.XXX ± .005 X.XX ± .015	MM: X.XX ± 0.15MM X.X ± 0.4MM	A	-FILLED IN-WHITE. -WAS 4110	ST	5/11/2000
		-	ORIGINAL DRAWN BY	TL	4/13/99
FRACTIONS ± 1/64	ANG. ± 1°	CHANGES			