

# NVMe PCIe SSD 2.5" SSD Manual



NVMe PCIe SSD is a non-volatile, solid-state storage device delivering uncompromising performance, reliability and ruggedness for environmentally challenging applications.

Manual	10/2/2017
PSFN22xxxxWxxx_SM963	Viking Technology
Revision C	Page 1 of 57

## Revision History

Date	Revision	Description	Checked By
9/29/16	A	Initial Release from modified PSFN22xxxxUxxx_C and vendor doc 1.0. Removed AES-256 capability (not enabled in the firmware)add VSFN227T68WCGWSM	
3/13/2017	B	Rename document to distinguish between SM and PM. Modify from PSFN22xxxxWxxx_PM963_B and change PN's, TLC to MLC, performance, DWPD TBW and remove higher capacity SSD's	
10/2/17	C	change VSFN22480GWCFVSM to VSFN22480GWCHVSM	

Manual	10/2/2017
PSFN22xxxxWxxx_SM963	Viking Technology
Revision C	Page 2 of 57

## Legal Information

### Legal Information

Copyright© 2017 Sanmina Corporation. All rights reserved. The information in this document is proprietary and confidential to Sanmina Corporation. No part of this document may be reproduced in any form or by any means or used to make any derivative work (such as translation, transformation, or adaptation) without written permission from Sanmina. Sanmina reserves the right to revise this documentation and to make changes in content from time to time without obligation on the part of Sanmina to provide notification of such revision or change.

Sanmina provides this documentation without warranty, term or condition of any kind, either expressed or implied, including, but not limited to, expressed and implied warranties of merchantability, fitness for a particular purpose, and non-infringement. While the information contained herein is believed to be accurate, such information is preliminary, and should not be relied upon for accuracy or completeness, and no representations or warranties of accuracy or completeness are made. In no event will Sanmina be liable for damages arising directly or indirectly from any use of or reliance upon the information contained in this document. Sanmina may make improvements or changes in the product(s) and/or the program(s) described in this documentation at any time.

Sanmina, Viking Technology, Viking Modular Solutions, and Element logo are trademarks of Sanmina Corporation. Other company, product or service names mentioned herein may be trademarks or service marks of their respective owners.

Manual	10/2/2017
PSFN22xxxxWxxx_SM963	Viking Technology
Revision C	Page 3 of 57

## Ordering Information: 2.5 inch PCIe SSD Solid-State Drive

Part Numbers	Interface	Application	Useable Capacity (GB) <sup>1</sup>	SR-IOV	Port	Temperature Range	NAND
VSFN22480GWCHVSM	PCIe/NVMe	Client SM963	480 GB	N	Single	(0 to +70'c)	Samsung MLC
VSFN22960GWCFVSM	PCIe/NVMe	Client SM963	960 GB	N	Single	(0 to +70'c)	Samsung MLC
VSFN221T92WCFVSM	PCIe/NVMe	Client SM963	1920 GB	N	Single	(0 to +70'c)	Samsung MLC

**Notes:**

1. Usable capacity based on a level of over-provisioning applied to wear leveling, bad sectors, index tables etc.
2. SSD's ship unformatted from the factory unless otherwise requested.
3. 1 GB = 1,000,000,000 Byte
4. One Sector = 512 Byte.

Product Picture(s)



Manual	10/2/2017
PSFN22xxxxWxxx SM963	Viking Technology
Revision C	Page 5 of 57

## Table of Contents

<b>1</b>	<b>INTRODUCTION</b>	<b>11</b>
1.1	Features	11
1.2	PCIE Interface	12
<b>2</b>	<b>PRODUCT SPECIFICATIONS</b>	<b>13</b>
2.1	Capacity and LBA count	13
2.2	Performance	14
2.3	Timing / Latency	14
2.4	Quality of Service (QoS)	15
2.5	<b>Electrical Characteristics</b>	<b>15</b>
2.5.1	Absolute Maximum Ratings	15
2.5.2	Supply Voltage	16
2.5.3	Power Consumption	16
2.6	<b>Environmental Conditions</b>	<b>16</b>
2.6.1	Temperature and Altitude	16
2.6.2	Shock and Vibration	16
2.6.3	Electromagnetic Immunity	17
2.7	<b>Reliability</b>	<b>17</b>
2.8	<b>Data Security</b>	<b>17</b>
2.8.1	Power Loss Protection	17
2.8.2	Sudden Power Off and Recovery	17
<b>3</b>	<b>MECHANICAL INFORMATION</b>	<b>19</b>
3.1	Dimensions	19
3.2	2.5 inch SSD Weight	24
<b>4</b>	<b>PIN AND SIGNAL DESCRIPTIONS</b>	<b>24</b>
4.1	Signal and Power Description Tables	24

Manual	10/2/2017
PSFN22xxxxWxxx_SM963	Viking Technology
Revision C	Page 6 of 57

<b>5</b>	<b>PCIE AND NVM EXPRESS REGISTERS</b>	<b>26</b>
<b>5.1</b>	<b>PCI Express Registers</b>	<b>26</b>
5.1.1	PCI Register Summary	26
5.1.2	PCI Header Registers	26
5.1.3	PCI Power Management Registers	30
5.1.4	Message Signaled Interrupt Registers	31
5.1.5	MSI-X Registers	32
5.1.6	PCI Express Capability Registers	34
5.1.7	Advanced Error Reporting Registers	38
5.1.8	Device Serial Number Capability Register	44
5.1.9	Power Budgeting Extended Capability	44
5.1.10	Latency Tolerance Reporting Capability Registers	45
5.1.11	L1 Substates Capability Registers	45
<b>5.2</b>	<b>NVM Express Registers</b>	<b>46</b>
5.2.1	Register Summary	46
5.2.2	Controller Registers	47
<b>6</b>	<b>SUPPORTED COMMAND SET</b>	<b>50</b>
<b>6.1</b>	<b>Admin Command Set</b>	<b>50</b>
6.1.1	Identify Command	50
<b>6.2</b>	<b>NVM Express I/O Command Set</b>	<b>55</b>
<b>6.3</b>	<b>SMART/Health Information</b>	<b>56</b>
<b>7</b>	<b>PRODUCT COMPLIANCE</b>	<b>57</b>
<b>8</b>	<b>REFERENCES</b>	<b>57</b>

Manual	10/2/2017
PSFN22xxxxWxxx_SM963	Viking Technology
Revision C	Page 7 of 57

## Table of Tables

Table 2-1: Maximum Sustained Read and Write Bandwidth	14
Table 2-4: Maximum Random Read and Write Input/Output Operations per Second (IOPS)	14
Table 2-5: Timing Specifications	14
Table 2-6: Operating Voltage	16
Table 2-7: Typical Power Consumption at 12V	16
Table 2-8: Temperature and Altitude Related Specifications	16
Table 2-9: Shock and Vibration Specifications	16
Table 2-10: Reliability Specifications	17
Table 3-1: 2.5 inch SSD weight	24
Table 4-1: 2.5 inch PCIE Connector Pinouts	24
Table 5-1: PCI Register Summary	26
Table 5-2: PCI Header Register Summary	26
Table 5-3: Identifier Register	27
Table 5-4: Command Register	27
Table 5-5: Device Status Register	28
Table 5-6: Revision ID Register	28
Table 5-7: Class Code Register	28
Table 5-8: Cache Line Size Register	28
Table 5-9: Master Latency Timer Register	28
Table 5-10: Header Type Register	28
Table 5-11: Built-in Self Test Register	29
Table 5-12: Memory Register Base Address Lower 32-bits (BAR0) Register	29
Table 5-13: Memory Register Base Address Upper 32-bits (BAR1) Register	29
Table 5-14: Index/Data Pair Register Base Address (BAR2) Register	29
Table 5-15: BAR3 Register	29
Table 5-16: Vendor Specific BAR4 Register	29
Table 5-17: Vendor Specific BAR5 Register	29
Table 5-18: Subsystem Identifier Register	29
Table 5-19: Expansion ROM Register	30
Table 5-20: Capabilities Pointer Register	30
Table 5-21: Interrupt Information Register	30
Table 5-22: Minimum Grant Register	30
Table 5-23: Maximum Latency Register	30
Table 5-24: PCI Power Management Capability Register Summary	30
Table 5-25: PCI Power Management Capability ID Register	30
Table 5-26: PCI Power Management Capability Register	31
Table 5-27: PCI Power Management Control and Status Register	31
Table 5-28: Message Signaled Interrupt Capability Register Summary	31
Table 5-29: Message Signaled Interrupt Capability ID Register	31
Table 5-30: Message Signaled Interrupt Control Register	32
Table 5-31: Message Signaled Interrupt Lower Address Register	32
Table 5-32: Message Signaled Interrupt Upper Address Register	32
Table 5-33: Message Signaled Interrupt Message Data Register	32
Table 5-34: Message Signaled Interrupt Masked Bits Register	32
Table 5-35: Message Signaled Interrupt Pending Bits Register	32
Table 5-36: MSI-X Capability Register Summary	32
Table 5-37: MSI-X Identifier Register	33
Table 5-38: MSI-X Control Register	33
Table 5-39: MSI-X Table Offset Register	33

Manual	10/2/2017
PSFN22xxxxWxxx_SM963	Viking Technology
Revision C	Page 8 of 57



Table 5-40: MSI-X Pending Bit Array Offset Register	33
Table 5-41: PCI Express Capability Register Summary	34
Table 5-42: PCI Express Capability ID Register	34
Table 5-43: PCI Express Capabilities Register	34
Table 5-44: PCI Express Device Capabilities Register	34
Table 5-45: PCI Express Device Control Register	35
Table 5-46: PCI Express Device Status Register	35
Table 5-47: PCI Express Device Link Capabilities Register	35
Table 5-48: PCI Express Device Link Control Register	36
Table 5-49: PCI Express Device Link Status Register	36
Table 5-50: PCI Express Device Capabilities 2 Register	36
Table 5-51: PCI Express Device Control 2 Register	37
Table 5-52: PCI Express Device Status 2 Register	37
Table 5-53: PCI Express Link Capabilities 2 Register	37
Table 5-54: PCI Express Link Control 2 Register	37
Table 5-55: PCI Express Link Status 2 Register	38
Table 5-56: Advanced Error Reporting Capability Register Summary	38
Table 5-57: AER Capability ID Register	38
Table 5-58: AER Uncorrectable Error Status Register	39
Table 5-59: AER Uncorrectable Error Mask Register	39
Table 5-60: AER Uncorrectable Error Severity Register	40
Table 5-61: AER Correctable Error Status Register	40
Table 5-62: AER Correctable Error Mask Register	40
Table 5-63: AER Capabilities and Control Register	41
Table 5-64: AER Header Log Register	41
Table 5-65: AER TLP Prefix Log Register	41
Table 5-66: Secondary PCI Express Capability Register Summary	42
Table 5-67: Secondary PCI Express Capability ID Register	42
Table 5-68: PCI Express Link Control 3 Register	43
Table 5-69: PCI Express Lane Error Status Register	43
Table 5-70: PCI Express Lane 0 Equalization Register	43
Table 5-71: PCI Express Lane 1 Equalization Register	43
Table 5-72: PCI Express Lane 2 Equalization Register	43
Table 5-73: PCI Express Lane 3 Equalization Register	43
Table 5-74: Device Serial Number Capability Register Header	44
Table 5-75: Serial Number Register Header (offset 0x4/0x8)	44
Table 5-76: Power Budgeting Extended Capability Header	44
Table 5-77: Data Register	44
Table 5-78: Power Budget Capability Register	44
Table 5-79: LTR Extended Capability Header	45
Table 5-80: LTR Max Snoop latency Register	45
Table 5-81: LTR Max No Snoop latency Register	45
Table 5-82: L1 Substates Extended Capability Header	45
Table 5-83: L1 Substates Capability Register	45
Table 5-84: L1 Substates Control1 Register	46
Table 5-85: L1 Substates Control2 Register	46
Table 5-86: Register Summary	46
Table 5-87: Controller Capabilities	47
Table 5-88: Version	47
Table 5-89: Interrupt Mask Set	47
Table 5-90: Interrupt Mask Clear	48
Table 5-91: Controller Configuration	48

<i>Table 5-92: Controller Status</i>	48
<i>Table 5-93: Admin Queue Attributes</i>	49
<i>Table 5-94: Admin Submission Queue Base Address</i>	49
<i>Table 5-95: Admin Completion Queue Base Address</i>	49
<i>Table 5-96: Submission Queue Tail y Doorbell</i>	49
<i>Table 5-97: Completion Queue Head y Doorbell</i>	49
<i>Table 6-1: Opcode for Admin Commands</i>	50
<i>Table 6-2: Identify Controller Data Structure</i>	50
<i>Table 6-3: Identify Power State Descriptor Data Structure</i>	53
<i>Table 6-4: Identify Namespace Data Structure</i>	53
<i>Table 6-5: LBA Format 0 Data Structure</i>	55
<i>Table 6-6: Opcode for NVM Express I/O Commands</i>	55
<i>Table 6-7: SMART/Health Information Log</i>	56
<i>Table 7-1: Product Compliance Certifications</i>	57

## Table of Figures

<i>Figure 2-1: Sudden Power on-off operation</i>	18
<i>Figure 3-1: SDD Dimensions</i>	19
<i>Figure 3-2: SDD Dimensions, Side View</i>	20
<i>Figure 3-3: SDD Dimensions, Top View 1</i>	21
<i>Figure 3-4: Dimensions</i>	22
<i>Figure 3-5: Dimension Details for 2.5 inch connector</i>	23

# 1 Introduction

Viking's 2.5 inch SSD presents outstanding performance with instant responsiveness to the host system, by applying the Peripheral Component Interconnect Express (PCIe) 3.0 interface standard, as well as highly efficient Non-Volatile Memory Express (NVMe) Protocol.

The Viking's 2.5 inch SSD delivers wide bandwidth of up to 2100MB/s for sequential read speed and up to 1400 MB/s for sequential write speed under 7W of power. With the help of Toggle 2.0 NAND Flash interface, the Viking's 2.5 inch SSD delivers random performance of up to 430K IOPS for random 4KB read and up to 40K IOPS for random 128KB write in the sustained state.

By combining the enhanced reliability of NAND Flash memory silicon with NAND Flash management technologies, the Viking's 2.5 inch SSD delivers the extended endurance suitable for enterprise applications, in 2.5 inch form factor.

In addition, the Viking's 2.5 inch SSD supports Power Loss Protection that can guarantee that data issued by the host system are written to the storage media without any loss in the event of sudden power off or sudden power failure. Inrush current handler can protect the internal components from the electrical and physical damages.

## 1.1 Features

The SSD delivers the following features:

- Native-PCIe SSD for enterprise application
- LPDDR3 DRAM Buffer Memory
- PCI Express Gen3: Single port X4 lanes
- Compliant with PCI Express Base Specification Rev. 3.0
- Compliant with NVM Express Specification Rev.1.1a
- Enhanced Power-Loss Data Protection
- End-to-End Data Protection
- Support SSD Enhanced S.M.A.R.T. Feature Set
- Static and Dynamic Wear Leveling
- RoHS / Halogen-Free Compliant

Manual	10/2/2017
PSFN22xxxxWxxx_SM963	Viking Technology
Revision C	Page 11 of 57

## 1.2 PCIE Interface

- PCI Express Gen3:
- Compliant with PCI Express Base Specification Rev. 3.0
- Compliant with NVM Express Specification Rev.1.1a

For a list of supported commands and other specifics, please see Chapter 5.

Manual	10/2/2017
PSFN22xxxxWxxx SM963	Viking Technology
Revision C	Page 12 of 57

## 2 Product Specifications

### 2.1 Capacity and LBA count

Raw Capacity (GB)	User Capacity (GB)	LBA Count
16	14	27,370,224
16	16	31,277,232
32	30	58,626,288
32	32	62,533,296
64	60	117,231,408
64	64	125,045,424
128	120	234,441,648
128	128	250,069,680
256	240	468,862,128
256	256	500,118,192
512	480	937,703,088
512	512	1,000,215,216
na	800	1,562,824,368
1024	960	1,875,385,008
1024	1024	2,000,409,264
na	1600	3,125,627,568
2048	1920	3,750,748,848
2048	2048	4,000,797,360
4000	3200	6,251,233,968
4000	3840	7,501,476,528

**Notes:**

- Per [www.idema.org](http://www.idema.org), LBA1-03 spec,  
 $LBA\ counts = (97,696,368) + (1,953,504 * (Advertised\ Capacity\ in\ GBytes - 50))$
- GB capacities based on power of 10, GiB capacities are based on powers of 2

## 2.2 Performance

**Table 2-1: Maximum Sustained Read and Write Bandwidth**

Access Type	480GB	960GB	1920GB
Sequential Read, 256K, MB/s	Up to 1200	Up to 2000	Up to 2100
Sequential Write, 256K, MB/s	Up to 900	Up to 1400	Up to 1400

**Notes:**

1. Based on PCI Express Gen3 x4, Random performance measured using FIO 2.1.3 in Linux RHEL 6.5(Kernel 2.6.32) with queue depth 32 by 4 workers and Sequential performance with queue depth 32 by 1 worker. Actual performance may vary depending on use conditions and environment.
2. Refer to Application Note AN0006 for Viking SSD Benchmarking Methodology.
3. Tested on Oakgate at 100% entropy

**Table 2-2: Maximum Random Read and Write Input/Output Operations per Second (IOPS)**

Access Type	480GB	1920GB	3.8GB
Read, 4K, IOPS	Up to 350K	Up to 430K	Up to 430K
Write, 4K, IOPS	Up to 23K	Up to 33K	Up to 40K

**Notes:**

1. Based on PCI Express Gen3 x4, Random performance measured using FIO 2.1.3 in Linux RHEL 6.5(Kernel 2.6.32) with queue depth 32 by 4 workers and Sequential performance with queue depth 32 by 1 worker. Actual performance may vary depending on use conditions and environment.

## 2.3 Timing / Latency

**Table 2-3: Timing Specifications**

Type	480 (GB)	960, 1920 (GB)
Random Read/Write Latency	85/50 us	85/50 us
Sequential Read/Write Latency	15/45 us	15/45 us
Power On Ready (POR), Drive Ready Time, 3840 GB	10 sec	10 sec

**Notes:**

1. The random latency is measured by using FIO 2.1.3 in Linux RHEL 6.5(Kernel 2.6.32) and 4KB transfer size with queue depth 1 by 1 worker
2. The sequential latency is measured by using FIO 2.1.3 in Linux RHEL 6.5(Kernel 2.6.32) and 4KB transfer size with queue depth 1 by 1 worker

## 2.4 Quality of Service (QoS)

Quality of Service (99%)	Unit	QD=1	QD=32
Read(4KB)	ms	0.1	0.7 (480GB) 0.5 (960/1920GB)
Write(4KB)	ms	0.1	1.6

Quality of Service (99.99%)	Unit	QD=1	QD=32
Read(4KB)	ms	0.2	1.3 (480GB) 0.8 (960/1920GB)
Write(4KB)	ms	0.2	1.6

**Notes:**

1. QoS is measured using Fio 2.1.3 (99 and 99.99%) in Linux RHEL 6.5 (Kernel 2.6.32) with queue depth 1, 32 on 4KB random read and write.
2. QoS is measured as the maximum round-trip time taken for 99 and 99.99% of commands to host

## 2.5 Electrical Characteristics

### 2.5.1 Absolute Maximum Ratings

Values shown are stress ratings only. Functional operation outside normal operating values is not implied. Extended exposure to absolute maximum ratings may affect reliability.

## 2.5.2 Supply Voltage

The operating voltage is 12V

**Table 2-4: Operating Voltage**

Description	Min	Max	Unit
Operating Voltage for 12 V (+/- 8%)	- 8%	+ 8%	V

## 2.5.3 Power Consumption

All onboard power requirements of the SSD are derived from the PCIe 12V rail.

**Table 2-5: Typical Power Consumption at 12V**

Capacity	Active Read (max RMS)	Active Write (max RMS)	Idle (typ.)
1920GB	7.4 W	6.7 W	2.4 W
960GB	6.5 W	6.4 W	2.4 W
480GB	5.1 W	5.0 W	2.4 W

**Notes:**

1. Power consumption was measured in the 12V power pins of the connector plug in SSD. The active and idle power is defined as the highest averaged power value, which is the maximum RMS average value over 100 ms duration.
2. The measurement condition for active power is assumed for 100% sequential read and write.
3. The idle state is defined as the state that the host system can issue any commands into SSD at any time.

## 2.6 Environmental Conditions

### 2.6.1 Temperature and Altitude

**Table 2-6: Temperature and Altitude Related Specifications**

Conditions	Operating	Shipping	Storage
<b>Commercial Temperature- Case <sup>1</sup></b>	0 to 70°C	-40 to 85°C	-40 to 85°C
<b>Humidity (non-condensing)</b>	-	95% under 65C, 500hrs	95% under 65C

**Notes:**

1. Tc is measured at the surface of NAND Flash package

### 2.6.2 Shock and Vibration

SSD products are tested in accordance with environmental specification for shock and vibration

**Table 2-7: Shock and Vibration Specifications**

Manual	10/2/2017
PSFN22xxxxWxxx SM963	Viking Technology
Revision C	Page 16 of 57



Stimulus	Description
Shock(non-operating)	1500G ( 0.5ms duration x,y,z with 1/2 sine wave)
Vibration (non-operating)	20 G (20min /axis on 3 axes) (10 ~ 2,000 Hz, Sinusoidal)

### 2.6.3 Electromagnetic Immunity

2.5 inch is an embedded product for host systems and is designed not to impair with system functionality or hinder system EMI/FCC compliance.

## 2.7 Reliability

**Table 2-8: Reliability Specifications**

Parameter	Description		
Uncorrectable Bit Error Rate	1 sector per 10 <sup>17</sup> bits read		
MTBF	2,000,000 hours		
Read Endurance	Unlimited		
Write Endurance	<b>480GB</b>	<b>960GB</b>	<b>1924GB</b>
	3153 TBW	6307 TBW	12614 TBW
Drive Write per day	3.6 DWPD over 5 years		
Data retention	> 90 days at NAND expiration		

**Notes:**

1. The reliability specification follows JEDEC standards JESD218A and JESD219A
2. TBW=(GB capacity x DWPD x 365 x years)/1000

## 2.8 Data Security

### 2.8.1 Power Loss Protection

By using internal back-up power technology, the Viking SSD supports power loss protection feature to guarantee the reliability of data requested by the host system. When power is unpredictably lost, the SSD can detect automatically this abnormal situation and transfer all user data and meta-data cached in DRAM into the Flash media during any SSD operations.

### 2.8.2 Sudden Power Off and Recovery

If power interruption is detected, the SSD dumps all cached user data and meta

data to NAND Flash. The SSD could protect even the user data in DRAM from sudden power off while SSD is used with cache on. Commonly, data is protected all of the operation period.

### 2.8.2.1 Time to Ready Sequence

In normal power-off recovery status, the SSD needs less than 11 seconds to reach operating mode where SSD works perfectly with cache-on state. SSD is ready to respond identify Device command during FTL OPEN. When the sudden power-off occurs, the user data in DRAM will be dumped into the NAND Flash using the stored power in the capacitor. In sudden power-off recovery condition, mapping data will be loaded or the FTL meta data be rebuilt perfectly for initial max. 30 seconds in case of 960GB. During this period, Identify Device command is still supported. This is called Sudden Power Off and Recovery.

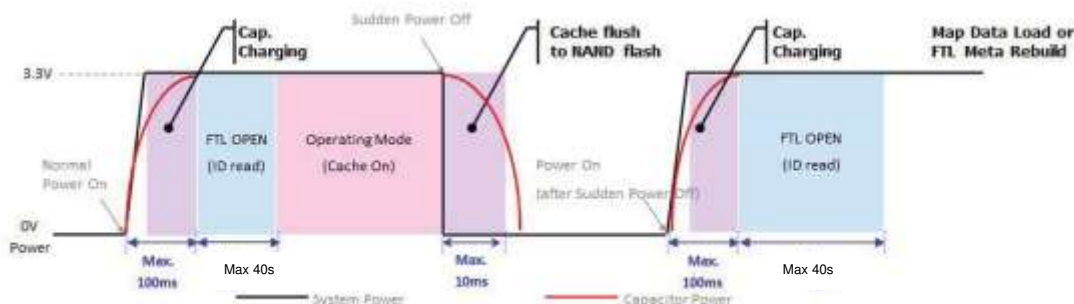


Figure 2-1: Sudden Power on-off operation

#### FTL Open time

	<b>960GB</b>
<i>FTL open (ID read)</i>	30 sec

### 3 Mechanical Information

#### 3.1 Dimensions

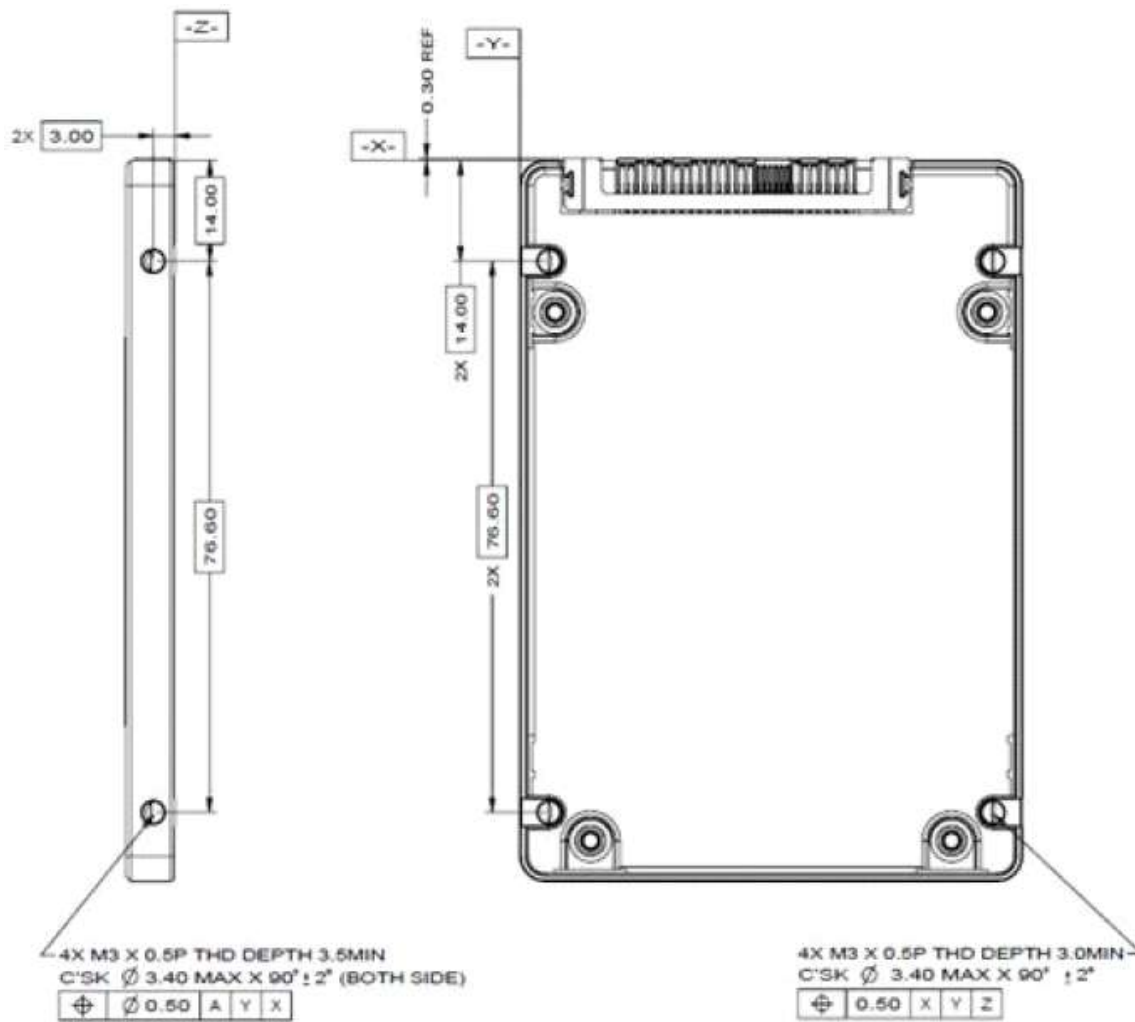
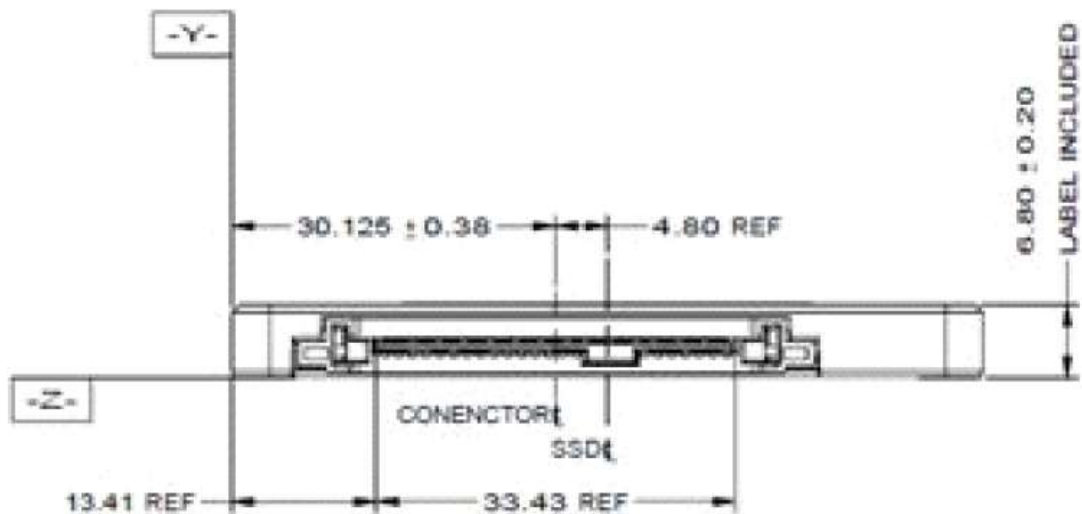
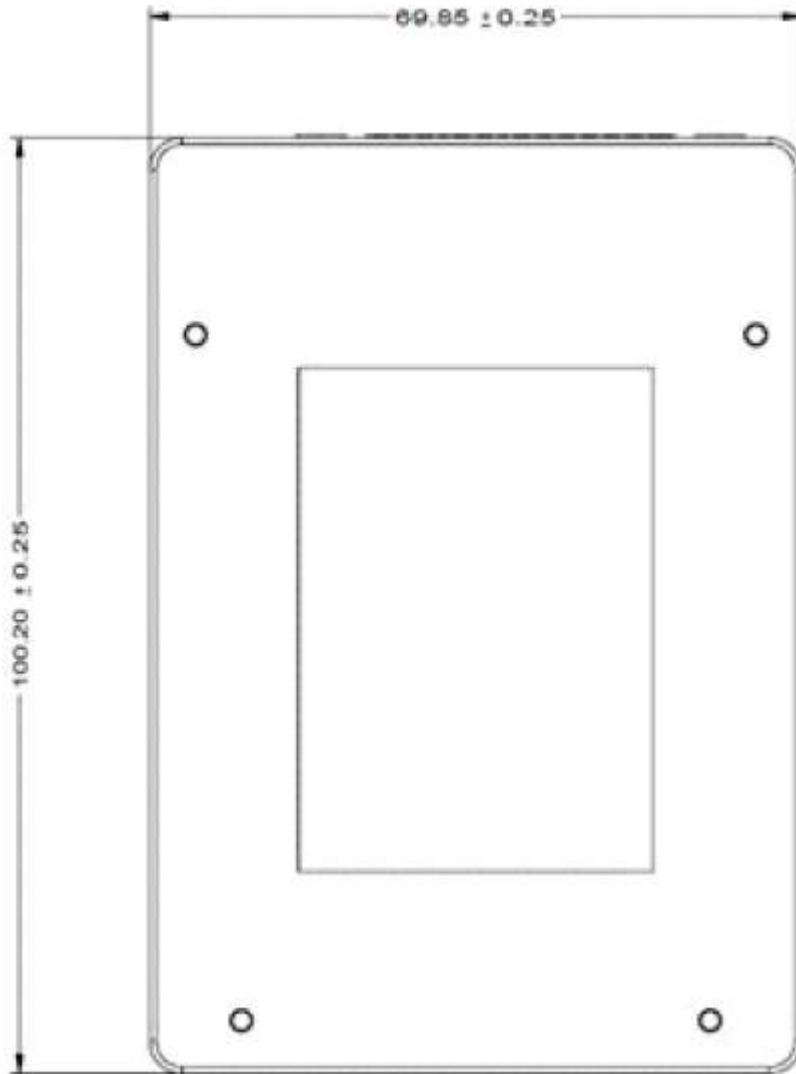


Figure 3-1: SDD Dimensions



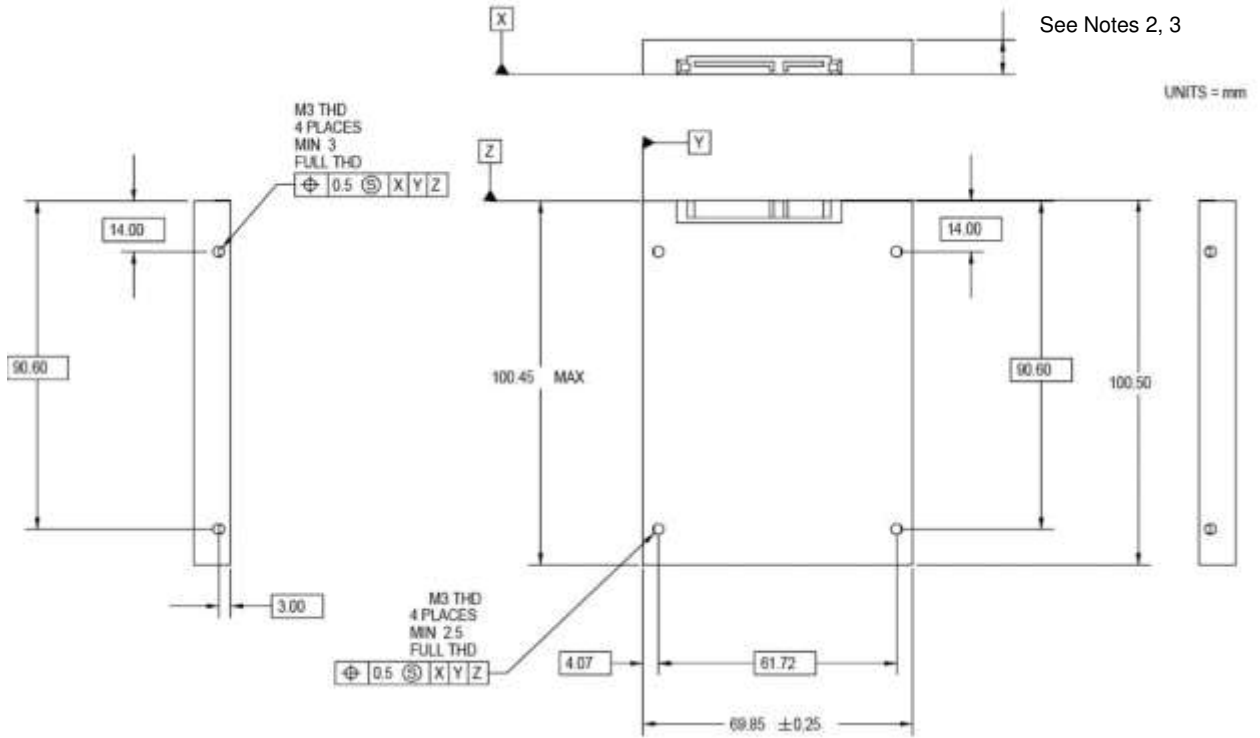
**Figure 3-2: SDD Dimensions, Side View**

Manual	10/2/2017
PSFN22xxxxWxxx SM963	Viking Technology
Revision C	Page 20 of 57



**Figure 3-3: SDD Dimensions, Top View 1**

Manual	10/2/2017
PSFN22xxxxWxxx SM963	Viking Technology
Revision C	Page 21 of 57

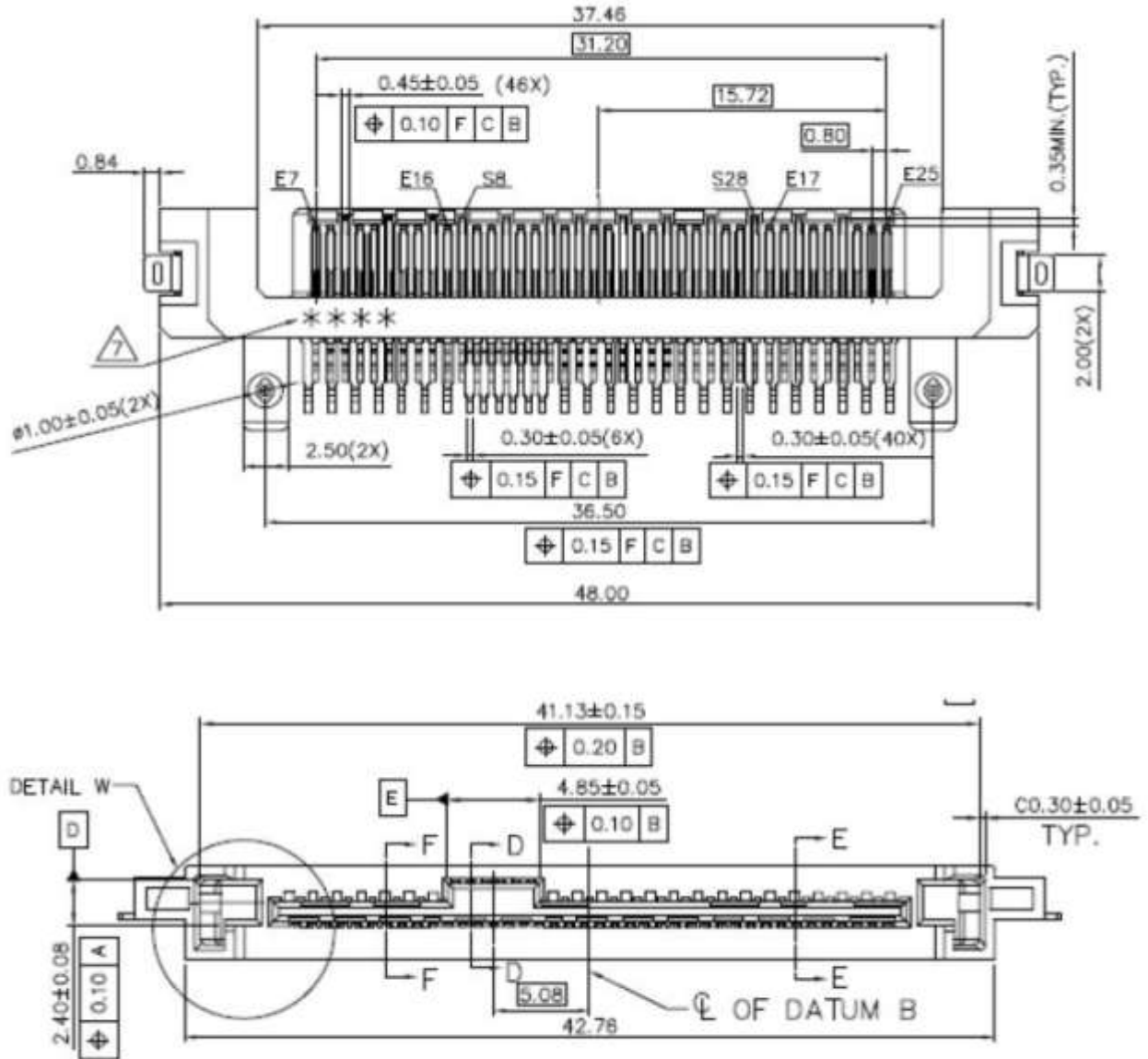


**Figure 3-4: Dimensions**

**Notes:**

1. All dimensions are in millimeter. General tolerance is  $\pm 0.15$ .

Manual	10/2/2017
PSFN22xxxxWxxx_SM963	Viking Technology
Revision C	Page 22 of 57



**Figure 3-5: Dimension Details for 2.5 inch connector**

**Notes:**

1. FOXCONN connector

## 3.2 2.5 inch SSD Weight

**Table 3-1: 2.5 inch SSD weight**

Weight	Unit of measure
Up to 70	Grams

## 4 Pin and Signal Descriptions

### 4.1 Signal and Power Description Tables

**Table 4-1: 2.5 inch PCIE Connector Pinouts**

Pin #	Assignment	Description	Pin #	Assignment	Description
S1	GND	Ground	E7	RefClk0+	PCle Reference Clock +
S2	Not Used	Floated	E8	RefClk0	PCle Reference Clock
S3	Not Used		E9	GND	Ground
S4	GND	Ground	E10	PETp0	PCle Transmit+ (lane 0)
S5	Not Used		E11	PETn0	PCle Transmit- (lane 0)
S6	Not Used		E12	GND	Ground
S7	GND	Ground	E13	PERn0	PCle Receive- (lane 0)
E1	REFCLK1+	Grounded	E14	PERp0	PCle Receive+ (lane 0)
E2	REFCLK1	Grounded	E15	GND	Ground
E3	3.3V AUX		E16	Not Used	
E4	ePERST1#	Floated	S8	GND	Ground
E5	ePERST0#		S9	Not Used	
E6	RSVD		S10	Not Used	
P1	Not Used		S11	GND	Ground
P2	Not Used		S12	Not Used	
P3	Not Used		S13	Not Used	



Pin #	Assignment	Description	Pin #	Assignment	Description
P4	IfDet #	Grounded	S14	GND	Ground
P5	GND	Ground	S15	Not Used	
P6	GND	Ground	S16	GND	Ground
P7	Not Used		S17	PETp1	PCIe Transmit+ (lane 1)
P8	Not Used		S18	PETn1	PCIe Transmit- (lane 1)
P9	Not Used		S19	GND	Ground
P10	PRSNT #	Presence	S20	PERn1	PCIe Receive- (lane 1)
P11	Activity	Drive Active	S21	PERp1	PCIe Receive+ (lane 1)
P12	GND	Ground	S22	GND	Ground
P13	12 V	Primary Power	S23	PETp2	PCIe Transmit+ (lane 2)
P14	12 V	Primary Power	S24	PETn2	PCIe Transmit- (lane 2)
P15	12 V	Primary Power	S25	GND	Ground
			S26	PERn2	PCIe Receive- (lane 2)
			S27	PERp2	PCIe Receive+ (lane 2)
			S28	GND	Ground
			E17	PETp3	PCIe Transmit+ (lane 3)
			E18	PETn3	PCIe Transmit- (lane 3)
			E19	GND	Ground
			E20	PERn3	PCIe Receive- (lane 3)
			E21	PERp3	PCIe Receive+ (lane 3)
			E22	GND	Ground
			E23	SMClk	SMBus Clock
			E24	SMDat	SMBus Data
			E25	DualPortEn#	

## 5 PCIe and NVM Express Registers

### 5.1 PCI Express Registers

#### 5.1.1 PCI Register Summary

**Table 5-1: PCI Register Summary**

Start Address	End Address	Name	Type
00h	3Fh	PCI Header	PCI Capability
40h	47h	PCI Power Management Capability	PCI Capability
50h	67h	MSI Capability	PCI Capability
70h	A3h	PCI Express Capability	PCI Capability
80h	BBh	MSI-X Capability	PCI Capability
100h	12Bh	Advanced Error Reporting Capability	PCI Capability
148h	157h	Device Serial No Capability	PCI Capability
158h	167h	Power Budgeting Capability	PCI Capability
168h	17Bh	Secondary PCI Express Header	PCI Capability
188h	18Fh	Latency Tolerance Reporting (LTR)	PCI Capability
190h	19Fh	L1 Substates Capability Register	PCI Capability

#### 5.1.2 PCI Header Registers

**Table 5-2: PCI Header Register Summary**

Start Address	End Address	Symbol	Description
00h	03h	ID	Identifiers
04h	05h	CMD	Command Register
06h	07h	STS	Device Status
08h	08h	RID	Revision ID
09h	0Bh	CC	Class Codes
0Ch	0Ch	CLS	Cache Line Size
0Dh	0Dh	MLT	Master Latency Timer
0Eh	0Eh	HTYPE	Header Type
0Fh	0Fh	BIST	Built in Self Test

Start Address	End Address	Symbol	Description
10h	13h	MLBAR (BAR0)	Memory Register Base Address (lower 32-bit)
14h	17h	MUBAR (BAR1)	Memory Register Base Address (upper 32-bit)
18h	1Bh	IDBAR (BAR2)	Index/Data Pair Register Base Address
1Ch	1Fh	BAR3	Reserved
20h	23h	BAR4	Reserved
24h	27h	BAR5	Reserved
28h	2Bh	CCPTR	CardBus CIS Pointer
2Ch	2Fh	SS	Subsystem Identifiers
30h	33h	EROM	Expansion ROM Base Address
34h	34h	CAP	Capabilities Pointer
35h	3Bh	R	Reserved
3Ch	3Dh	INTR	Interrupt Information
3Eh	3Eh	MGNT	Minimum Grant
3Fh	3Fh	MLAT	Maximum Latency

**Table 5-3: Identifier Register**

Bits	Type	Default Value	Description
31:16	RO	A802h	Device ID
0:15	RO	144Dh	Vendor ID

**Table 5-4: Command Register**

Bits	Type	Default Value	Description
15:11	RO	0	Reserved
10	RW	0	Interrupt Disable
9	RO	0	Fast Back-to-Back Enable (N/A)
8	RW	0	SERR# Enable (N/A)
7	RO	0	Zero value
6	RW	0	Parity Error Response Enable
5	RO	0	VGA Palette Snooping Enable (N/A)
4	RO	0	Memory Write and Invalidate Enable (N/A)
3	RO	0	Special Cycle Enable (N/A)
2	RW	0	Bus Master Enable
1	RW	0	Memory Space Enable
0	RW	0	I/O Space Enable

**Table 5-5: Device Status Register**

Bits	Type	Default Value	Description
15	RW1C	0	Detected Parity Error
14	RW1C	0	N/A
13	RW1C	0	Received Master Abort
12	RW1C	0	Received Target Abort
11	RW1C	0	Signaled Target Abort
10:9	RO	0	N/A
8	RW1C	0	Master Data Parity Error Detected
7	RO	0	N/A
6	RO	0	Reserved
5	RO	0	N/A
4	RO	1	Capabilities List
3	RO	0	INTx Status
2:0	RO	0	Reserved

**Table 5-6: Revision ID Register**

Bits	Type	Default Value	Description
7:00	RO	1	Controller Hardware Revision ID

**Table 5-7: Class Code Register**

Bits	Type	Default Value	Description
23:16	RO	1h	Base Class Code
15:08	RO	8h	Sub Class Code
7:00	RO	2h	Programming Interface

**Table 5-8: Cache Line Size Register**

Bits	Type	Default Value	Description
7:0	RW	0h	N/A

**Table 5-9: Master Latency Timer Register**

Bits	Type	Default Value	Description
7:00	RO	0	N/A

**Table 5-10: Header Type Register**

Bits	Type	Default Value	Description
7:00	RO	0	N/A

**Table 5-11: Built-in Self Test Register**

Bits	Type	Default Value	Description
7:00	RO	0	N/A

**Table 5-12: Memory Register Base Address Lower 32-bits (BAR0) Register**

Bits	Type	Default Value	Description
31:04	RW	0	Base Address
3	RO	0	Pre-Fetchable
2:1	RO	2	Address Type (64-bit)
0	RO	0	Memory Space Indicator (MEMSI)

**Table 5-13: Memory Register Base Address Upper 32-bits (BAR1) Register**

Bits	Type	Default Value	Description
31:0	RO	0	Base Address

**Table 5-14: Index/Data Pair Register Base Address (BAR2) Register**

Bits	Type	Default Value	Description
31:0	RO	0	Base Address

**Table 5-15: BAR3 Register**

Bits	Type	Default Value	Description
31:0	RO	0	Base Address

**Table 5-16: Vendor Specific BAR4 Register**

Bits	Type	Default Value	Description
31:0	RO	0	Base Address

**Table 5-17: Vendor Specific BAR5 Register**

Bits	Type	Default Value	Description
31:0	RO	0	Base Address

**Table 5-18: Subsystem Identifier Register**

Bits	Type	Default Value	Description
31:16	RO	A801	Subsystem ID
15:0	RO	144D	Subsystem Vendor ID

**Table 5-19: Expansion ROM Register**

Bits	Type	Default Value	Description
31:11	RW	0	Expansion ROM Base Address
10:1	RO	0	Reserved
0	RW	0	Expansion ROM Enable/Disable

**Table 5-20: Capabilities Pointer Register**

Bits	Type	Default Value	Description
7:0	RO	40h	Capability Pointer (Points to PCI Power Management Capability Offset)

**Table 5-21: Interrupt Information Register**

Bits	Type	Default Value	Description
15:8	RO	01	Interrupt Pin
7:0	RW	FF	Interrupt Line

**Table 5-22: Minimum Grant Register**

Bits	Type	Default Value	Description
31:0	RO	0	Base Address

**Table 5-23: Maximum Latency Register**

Bits	Type	Default Value	Description
31:0	RO	0	Base Address

### 5.1.3 PCI Power Management Registers

**Table 5-24: PCI Power Management Capability Register Summary**

Start Address	End Address	Symbol	Description
40h	40h	PID	PCI Power Management Capability ID
41h	41h	Next cap ptr	Next cap ptr
42h	43h	PMC	PC Power Management Capabilities
44h	45h	PMCS	PCI Power Management Control and Status
46h	46h	PMCSR_BSE	PMCSR_BSE Bridge Extensions
47h	47h	Data	Data

**Table 5-25: PCI Power Management Capability ID Register**

Bits	Type	Default Value	Description
15:08	RO	50h	Next Capability
7:00	RO	1h	Capability ID

**Table 5-26: PCI Power Management Capability Register**

Bits	Type	Default Value	Description
15:11	RO	0	N/A
10	RO	0	D2 Support
9	RO	0	D1 Support
8:6	RO	0	N/A
5	RO	0	Device Specific Initialization
4	RO	0	Reserved
3	RO	0	PME Clock
2:0	RO	3h	Version (Support for revision 1.2)

**Table 5-27: PCI Power Management Control and Status Register**

Bits	Type	Default Value	Description
31:24	RO	0	data register
23	RO	0	Bus power/Clock enable
22	RO	0	B2, B3 support
21:16	RsvdP	0	Reserved
15	RW1CS	0	PME Status
14:13	RO	0	N/A
12:09	RO	0	N/A
8	RWS	0	PME Enable
7:04	RsvdP	0	Reserved
3	RO	1	No Soft Reset
2	RsvdP	0	Reserved
1:00	RW	0	Power State

## 5.1.4 Message Signaled Interrupt Registers

**Table 5-28: Message Signaled Interrupt Capability Register Summary**

Start Address	End Address	Symbol	Description
50h	51h	MID	Message Signaled Interrupt Capability ID
52h	53h	MC	Message Signaled Interrupt Message Control
54h	57h	MA	Message Signaled Interrupt Message Address
58h	5Bh	MUA	Message Signaled Interrupt Upper Address
5Ch	5Dh	MD	Message Signaled Interrupt Message Data
60h	63h	MMASK	Message Signaled Interrupt Mask Bits
64h	67h	MPEND	Message Signaled Interrupt Pending Bits

**Table 5-29: Message Signaled Interrupt Capability ID Register**

Bits	Type	Default Value	Description
15:08	RO	70h	Next Capability
7:0	RO	05h	Capability ID

**Table 5-30: Message Signaled Interrupt Control Register**

Bits	Type	Default Value	Description
15:9	RsvdP	0	Reserved
8	RO	0	Per Vector Masking Capable
7	RO	1h	64-bit Address Capable
6:4	RW	0h	Multiple Message Enable
3:1	RO	3h	Multiple Message Capable
0	RW	0h	MSI Enable

**Table 5-31: Message Signaled Interrupt Lower Address Register**

Bits	Type	Default Value	Description
31:2	RW	0	Address
1:0	RO	0	Reserved

**Table 5-32: Message Signaled Interrupt Upper Address Register**

Bits	Type	Default Value	Description
31:0	RW	0	Upper Address

**Table 5-33: Message Signaled Interrupt Message Data Register**

Bits	Type	Default Value	Description
16:31	RsvdP	0	Reserved
0:15	RO	0	Data

**Table 5-34: Message Signaled Interrupt Masked Bits Register**

Bits	Type	Default Value	Description
31:0	RW	0	Mask Bits

**Table 5-35: Message Signaled Interrupt Pending Bits Register**

Bits	Type	Default Value	Description
31:0	RO	0	Pending Bits

## 5.1.5 MSI-X Registers

**Table 5-36: MSI-X Capability Register Summary**

Start Address	End Address	Symbol	Description
B0h	B1h	MXID	MSI-X Capability ID
B2h	B3h	MXC	MSI-X Message Control
B4h	B7h	MTAB	MSI-X Table Offset and Table BIR
B8h	BBh	MPBA	MSI-X PBA Offset and PBA BIR



**Table 5-37: MSI-X Identifier Register**

Bits	Type	Default Value	Description
15:8	RO	00h	Next Capability
7:0	RO	11h	Capability ID

**Table 5-38: MSI-X Control Register**

Bits	Type	Default Value	Description
15	RW	0	MSI-X Enable
14	RW	0	Function Mask
13:11	RsvdP	0	Reserved
10:0	RO	08h	Table Size

**Table 5-39: MSI-X Table Offset Register**

Bits	Type	Default Value	Description
31:3	RO	300h	Table Offset
2:0	RO	0	Table BIR

**Table 5-40: MSI-X Pending Bit Array Offset Register**

Bits	Type	Default Value	Description
31:3	RO	200h	Pending Bit Array Offset
2:0	RO	0	Pending Bit Array BIR

## 5.1.6 PCI Express Capability Registers

**Table 5-41: PCI Express Capability Register Summary**

Start Address	End Address	Symbol	Description
70h	71h	PXID	PCI Express Capability ID
72h	73h	PXCAP	PCI Express Capabilities
74h	77h	PXDCAP	PCI Express Device Capabilities
78h	79h	PXDC	PCI Express Device Control
7Ah	7Bh	PXDS	PCI Express Device Status
7Ch	7Fh	PXLCAP	PCI Express Link Capabilities
80h	81h	PXLC	PCI Express Link Control
82h	83h	PXLS	PCI Express Link Status
94h	97h	PXDCAP2	PCI Express Device Capabilities 2
98h	99h	PXDC2	PCI Express Device Control 2
9Ah	9Bh	PXDS2	PCI Express Device Status 2
9Ch	9Fh	PXLCAP2	PCI Express Link Capabilities 2
A0h	A1h	PXLC2	PCI Express Link Control 2
A2h	A3h	PXLS2	PCI Express Link Status 2

**Table 5-42: PCI Express Capability ID Register**

Bits	Type	Default Value	Description
15:8	RO	B0h	Next Pointer (MSI-X Capability)
7:0	RO	10h	Capability ID

**Table 5-43: PCI Express Capabilities Register**

Bits	Type	Default Value	Description
15:14	RsvdP	0	Reserved
13:9	RO	0	Interrupt Message Number
8	HwInit	0	N/A
7:4	RO	0	Device/Port Type
3:0	RO	2h	Capability Version

**Table 5-44: PCI Express Device Capabilities Register**

Bits	Type	Default Value	Description
31:29	RsvdP	0	Reserved
28	RO	1	Function Level Reset Capability
27:26	RO	0	Captured Slot Power Limit Scale
25:18	RO	0	Captured Slot Power Limit Value
17:16	RO	0	Reserved
15	RO	1	Role-based Error Reporting
14:12	RO	0	Reserved
11:9	RO	7h	Endpoint L1 Acceptable Latency
8:6	RO	7h	Endpoint L0 Acceptable Latency
5	RO	0	Extended Tag Field Supported
4:3	RO	0	Phantom Functions Supported
2:0	RO	0	Max Payload Size Supported (128 byte payload)

**Table 5-45: PCI Express Device Control Register**

Bits	Type	Default Value	Description
15	RW	0	Initiate Function Level Reset
14:12	RW	2h	Max Read Request Size
11	RW	1	Enable No Snoop
10	RWS	0	Aux Power PM Enable (N/A)
9	RW	0	Phantom Functions Enable (N/A)
8	RW	0	Extended Tag Enable
7:5	RW	0	Max Payload Size
4	RW	1	Enable Relaxed Ordering (N/A)
3	RW	0	Unsupported Request Reporting Enable
2	RW	0	Fatal Error Reporting Enable
1	RW	0	Non-Fatal Error Reporting Enable
0	RW	0	Correctable Error Reporting Enable

**Table 5-46: PCI Express Device Status Register**

Bits	Type	Default Value	Description
15:06	RsvdP	0	Reserved
5	RO	0	Transactions Pending
4	RO	1	Aux Power Detected
3	RW1C	0	Unsupported Request Detected
2	RW1C	0	Fatal Error Detected
1	RW1C	0	Non-Fatal Error Detected
0	RW1C	0	Correctable Error Detected

**Table 5-47: PCI Express Device Link Capabilities Register**

Bits	Type	Default Value	Description
31:24	HwInit	0 (Port 0)	Port Number
23	RsvdP	0	Reserved
22	HwInit	1h	ASPM Optionality Compliance
21	RO	0	Link Bandwidth Notification Capability (N/A)
20	RO	0	Data Link Layer Link Active Reporting Capable (N/A)
19	RO	0	Surprise Down Error Reporting Capable (N/A)
18	RO	1	Clock Power Management
17:15	RO	6	L1 Exit Latency
14:12	RO	6h	L0s Exit Latency
11:10	RO	0	Active State Power Management Support
9:4	RO	4h (x4 link)	Maximum Link Width
3:0	RO	3h	Supported Link Speeds

**Table 5-48: PCI Express Device Link Control Register**

Bits	Type	Default Value	Description
15:12	RsvdP	0	Reserved
11	RsvdP	0	Link Autonomous Bandwidth Interrupt Enable
10	RsvdP	0	Link Bandwidth Management Interrupt Enable
9	RsvdP	0	Hardware Autonomous Width Disable
8	RW	0	Enable Clock Power Management (N/A)
7	RW	0	Extended Sync
6	RW	0	Common Clock Configuration
5	RsvdP	0	Retrain Link
4	RsvdP	0	Link Disable
3	Root Ports (RO) End Points & Bridges (RW) Switch Ports (RO)	0	Read Completion Boundary (N/A)
2	RsvdP	0	Reserved
1:00	RW1C	0	Active State Power Management Control

**Table 5-49: PCI Express Device Link Status Register**

Bits	Type	Default Value	Description
15	RW1C	0h	Link Autonomous Bandwidth Status
14	RW1C	0	Link Bandwidth Management Status
13	RO	0	Data Link Layer Link Active
12	Hwlnit	1	Slot Clock Configuration
11	RO	0	Link Training (1: Link training in progress;0: No link training in progress) (Non-standard)
10	RO	0	Reserved
9:4	RO	4h	Negotiated Link Width
3:0	RO	3h	Current Link Speed

**Table 5-50: PCI Express Device Capabilities 2 Register**

Bits	Type	Default Value	Description
31:24	RsvdP	0	Reserved
23:22	Hwlnit	0	Max End-End TLP Prefixes (N/A)
21	Hwlnit	0	End-End TLP Prefix Supported (N/A)
20	RO	0	Extended Format Field Supported (N/A)
19:18	Hwlnit	0	OBFF Supported (N/A)
17:14	RO	0	Reserved
13:12	RO	0	TPH Completer Supported (N/A)
11	RO	1	Latency Tolerance Reporting Supported (N/A)
10	Hwlnit	0	No RO-enabled PR-PR Passing (N/A)
9	RO	0	128-bit CAS Completer Supported (N/A)
8	RO	0	64-bit Atomic Op Completer Supported (N/A)
7	RO	0	32-bit Atomic Op Completer Supported (N/A)
6	RO	0	Atomic Op Routing Supported (N/A)
5	RO	0	ARI Forwarding Supported (N/A)
4	RO	1	Completion Timeout Disable Supported
3:0	Hwlnit	0	Completion Timeout Ranges Supported (50us to 200ms)

**Table 5-51: PCI Express Device Control 2 Register**

Bits	Type	Default Value	Description
15	RsvdP	0	End-to-end TLP Prefix Blocking (N/A)
14:13	RW/RsvdP	0	OBFF Enable (N/A)
12:11	RsvdP	0	Reserved
10	RW/RsvdP	0	Latency Tolerance Reporting Mechanism Enable (N/A)
9	RW	0	IDO Completion Enable
8	RW	0	IDO Request Enable
7	RW	0	AtomicOp Egress Blocking
6	RW	0	AtomicOp Requester Enable
5	RW	0	ARI Forwarding Enable
4	RW	0	Completion Timeout Disable
3:0	RW	0	Completion Timeout Value (0h - 50 $\mu$ s; 1h - 100 $\mu$ s; 2h - 2 ms; 5h - 50 ms; 6h - 200 ms; others - reserved )

**Table 5-52: PCI Express Device Status 2 Register**

Bits	Type	Default Value	Description
15:0	RsvdZ	0	Reserved

**Table 5-53: PCI Express Link Capabilities 2 Register**

Bits	Type	Default Value	Description
31:9	RsvdP	0	Reserved
8	RO	0	Cross-Link Supported (N/A)
7:1	RO	7h	Supported Link Speeds 001b: 2.5 GT/s (Gen 1) 010b: 5.0 GT/s (Gen 2) 100b: 8 GT/s (Gen 3)
0	RsvdP	0	Reserved

**Table 5-54: PCI Express Link Control 2 Register**

Bits	Type	Default Value	Description
15:12	RWS/RsvdP	0	Compliance De-emphasis
11	RWS/RsvdP	0	Compliance SOS
10	RWS/RsvdP	0	Enter Modified Compliance
9:7	RWS/RsvdP	0	Transmit Margin
6	Hwlnit	0	Select De-Emphasis
5	RWS/RsvdP	0	Hardware Autonomous Speed Disable
4	RWS/RsvdP	0	Enter Compliance
3:0	RWS/RsvdP	3h	Target Link Speed 1h: 2.5 GT/s (Gen 1) 2h: 5.0 GT/s (Gen 2) 3h: 8 GT/s (Gen 3)

**Table 5-55: PCI Express Link Status 2 Register**

Bits	Type	Default Value	Description
15:6	RsvdP	0	Reserved
5	RW1CS	0	Link Equalization Request
4	ROS	0	Equalization Phase 3 Successful
3	ROS	0	Equalization Phase 2 Successful
2	ROS	0	Equalization Phase 1 Successful
1	ROS	0	Equalization Complete
0	RO	1	Current De-Emphasis

## 5.1.7 Advanced Error Reporting Registers

**Table 5-56: Advanced Error Reporting Capability Register Summary**

Start Address	End Address	Symbol	Description
100h	103h	AERID	AER Capability ID
104h	107h	AERUCES	AER Uncorrectable Error Status
108h	10Bh	AERUCEM	AER Uncorrectable Error Mask
10Ch	10Fh	AERUCESEV	AER Uncorrectable Error Severity
110h	113h	AERCES	AER Correctable Error Status
114h	117h	AERCEM	AER Correctable Error Mask
118h	11Bh	AERCC	AER Advanced Error Capabilities and Control
11Ch	12Bh	AERHL	AER Header Log

**Table 5-57: AER Capability ID Register**

Bits	Type	Default Value	Description
31:20:00	RO	148h	Next Pointer (Points to Secondary PCI Express Extended Capability Header Offset)
19:16	RO	2h	Capability Version
15:00	RO	1h	Capability ID

**Table 5-58: AER Uncorrectable Error Status Register**

Bits	Type	Default Value	Description
31:26	RsvdZ	0	Reserved
25	RsvdZ	0	TLP Prefix Blocked Error Status (N/A)
24	RsvdZ	0	Atomic Op Egress Blocked Status (N/A)
23	RsvdZ	0	Reserved
22	RW1CS	0	Uncorrectable Internal Error Status
21	RsvdZ	0	Reserved
20	RW1CS	0	Unsupported Request Error Status
19	RW1CS	0	ECRC Error Status
18	RW1CS	0	Malformed TLP Status
17	RW1CS	0	Receiver Overflow Status (N/A)
16	RW1CS	0	Unexpected Completion Status
15	RW1CS	0	Completer Abort Status
14	RW1CS	0	Completion Timeout Status
13	RW1CS	0	Flow Control Protocol Error Status (N/A)
12	RW1CS	0	Poisoned TLP Status
11:6	RsvdZ	0	Reserved
5	RsvdZ	0	Reserved
4	RW1CS	0	Data Link Protocol Error Status
3:1	RsvdP	0	Reserved
0	Undefined	0	Undefined

**Table 5-59: AER Uncorrectable Error Mask Register**

Bits	Type	Default Value	Description
31:26	RsvdZ	0	Reserved
25	RsvdZ	0	TLP Prefix Blocked Error Mask (N/A)
24	RsvdZ	0	Atomic Op Egress Blocked Mask (N/A)
23	RsvdZ	0	MC Blocked TLP Mask (N/A)
22	RWS	1	Uncorrectable Internal Error Mask
21	RsvdZ	0	ACS Violation Mask (N/A)
20	RWS	0	Unsupported Request Error Mask
19	RWS	0	ECRC Error Mask
18	RWS	0	Malformed TLP Mask
17	RWS	0	Receiver Overflow Mask (N/A)
16	RWS	0	Unexpected Completion Mask
15	RWS	0	Completer Abort Mask
14	RWS	0	Completion Timeout Mask
13	RWS	0	Flow Control Protocol Error Mask (N/A)
12	RWS	0	Poisoned TLP Mask
11:6	RsvdP	0	Reserved
5	RsvdZ	0	Reserved
4	RWS	0	Data Link Protocol Error Mask
3:1	RsvdP	0	Reserved
0	Undefined	0	Undefined

**Table 5-60: AER Uncorrectable Error Severity Register**

Bits	Type	Default Value	Description
31:26	RsvdP	0	Reserved
25	RsvdP	0	TLP Prefix Blocked Error Mask (N/A)
24	RsvdP	0	Atomic Op Egress Blocked Mask (N/A)
23	RsvdP	0	Reserved
22	RWS	1	Uncorrectable Internal Error Mask
21	RsvdP	0	Reserved
20	RWS	0	Unsupported Request Error Mask
19	RWS	0	ECRC Error Mask
18	RWS	1	Malformed TLP Mask
17	RWS	1	Receiver Overflow Mask (N/A)
16	RWS	0	Unexpected Completion Mask
15	RWS	0	Completer Abort Mask
14	RWS	0	Completion Timeout Mask
13	RWS	1	Flow Control Protocol Error Mask (N/A)
12	RWS	0	Poisoned TLP Mask
11:6	RsvdP	0	Reserved
5	RsvdP	1	Reserved
4	RWS	1	Data Link Protocol Error Mask
3:1	RsvdP	0	Reserved
0	Undefined	0	Undefined

**Table 5-61: AER Correctable Error Status Register**

Bits	Type	Default Value	Description
31:16	RsvdZ	0	Reserved
15	RsvdZ	0	Reserved
14	RW1CS	0	Corrected Internal Error Status (N/A)
13	RW1CS	0	Advisory Non-Fatal Error Status
12	RW1CS	0	Replay Timer Timeout Status
11:9	RsvdZ	0	Reserved
8	RW1CS	0	Replay Number Rollover Status
7	RW1CS	0	Bad DLLP Status
6	RW1CS	0	Bad TLP Status
5:1	RsvdZ	0	Reserved
0	RW1CS	0	Received Error Status

**Table 5-62: AER Correctable Error Mask Register**

Bits	Type	Default Value	Description
31:16	RsvdP	0	Reserved
15	RsvdP	0	Reserved
14	RWS	1	Corrected Internal Error Mask (N/A)
13	RWS	1	Advisory Non-Fatal Error Mask
12	RWS	0	Replay Timer Timeout Mask
11:9	RsvdP	0	Reserved
8	RWS	0	Replay Number Rollover Mask
7	RWS	0	Bad DLLP Mask
6	RWS	0	Bad TLP Mask
5:1	RsvdP	0	Reserved
0	RW	0	Received Error Mask



**Table 5-63: AER Capabilities and Control Register**

Bits	Type	Default Value	Description
31:12	RsvdP	0	Reserved
11	RsvdP	0	TLP Prefix Log Present (N/A)
10	RsvdP	0	Reserved
9	RsvdP	0	Reserved
8	RWS	0	ECRC Check Enable
7	RO	1	ECRC Check Capable
6	RWS	0	ECRC Generation Enable
5	RO	1	ECRC Generation Capable
4:0	ROS	0	First Error Pointer

**Table 5-64: AER Header Log Register**

Bits	Type	Default Value	Description
0	ROS	0	Header Byte 3
1	ROS	0	Header Byte 2
2	ROS	0	Header Byte 1
3	ROS	0	Header Byte 0
4	ROS	0	Header Byte 7
5	ROS	0	Header Byte 6
6	ROS	0	Header Byte 5
7	ROS	0	Header Byte 4
8	ROS	0	Header Byte 11
9	ROS	0	Header Byte 10
10	ROS	0	Header Byte 9
11	ROS	0	Header Byte 8
12	ROS	0	Header Byte 15
13	ROS	0	Header Byte 14
14	ROS	0	Header Byte 13
15	ROS	0	Header Byte 12

**Table 5-65: AER TLP Prefix Log Register**

Bits	Type	Default Value	Description
0	RO	0	First TLP Prefix Log Byte 3 (N/A)
1	RO	0	First TLP Prefix Log Byte 2 (N/A)
2	RO	0	First TLP Prefix Log Byte 1 (N/A)
3	RO	0	First TLP Prefix Log Byte 0 (N/A)
4	RO	0	Second TLP Prefix Log Byte 7 (N/A)
5	RO	0	Second TLP Prefix Log Byte 6 (N/A)
6	RO	0	Second TLP Prefix Log Byte 5 (N/A)
7	RO	0	Second TLP Prefix Log Byte 4 (N/A)
8	RO	0	Third TLP Prefix Log Byte 11 (N/A)
9	RO	0	Third TLP Prefix Log Byte 10 (N/A)
10	RO	0	Third TLP Prefix Log Byte 9 (N/A)
11	RO	0	Third TLP Prefix Log Byte 8 (N/A)
12	RO	0	Fourth TLP Prefix Log Byte 15 (N/A)
13	RO	0	Fourth TLP Prefix Log Byte 14 (N/A)
14	RO	0	Fourth TLP Prefix Log Byte 13 (N/A)
15	RO	0	Fourth TLP Prefix Log Byte 12 (N/A)

**Table 5-66: Secondary PCI Express Capability Register Summary**

Start Address	End Address	Symbol	Description
168h	16Bh	SPXID	Secondary PCI Express Capability
16Ch	16Fh	PXLC3	PCI Express Link Control 3
170h	173h	PXLE	PCI Express Lane Error Status
174h	175h	PXL0EC	PCI Express Lane 0 Equalization Control
176h	177h	PXL1EC	PCI Express Lane 1 Equalization Control
178h	179h	PXL2EC	PCI Express Lane 2 Equalization Control
17Ah	17Bh	PXL3EC	PCI Express Lane 3 Equalization Control

**Table 5-67: Secondary PCI Express Capability ID Register**

Bits	Type	Default Value	Description
31:20	RO	188h	Next Pointer (Viking Vendor Specific Capability)
19:16	RO	1h	Capability Version
15:0	RO	0019h	Capability ID (Secondary PCI Express Extended capability)

**Table 5-68: PCI Express Link Control 3 Register**

Bits	Type	Default Value	Description
31:2	Rsvdp	0	Reserved
1	Rsvdp	0	Link Equalization Request Interrupt Enable (N/A)
0	Rsvdp	0	Perform Equalization (N/A)

**Table 5-69: PCI Express Lane Error Status Register**

Bits	Type	Default Value	Description
31:4	Rsvdp	0	Reserved
3:0	RW1CS	0	Lane Error Status Bits

**Table 5-70: PCI Express Lane 0 Equalization Register**

Bits	Type	Default Value	Description
15	RsvdP	0	Reserved
14:12	Hwlnit/RO	7h	Upstream Port Receiver Preset Hint
11:8	Hwlnit/RO	Fh	Upstream Port Transmitter Preset
7	RsvdP	0	Reserved
6:4	Hwlnit/RsvdP	0	Downstream Port Receiver Preset Hint (N/A)
3:0	Hwlnit/RsvdP	0	Downstream Port Transmitter Preset (N/A)

**Table 5-71: PCI Express Lane 1 Equalization Register**

Bits	Type	Default Value	Description
15	RsvdP	0	Reserved
14:12	Hwlnit/RO	7h	Upstream Port Receiver Preset Hint
11:8	Hwlnit/RO	Fh	Upstream Port Transmitter Preset
7	RsvdP	0	Reserved
6:4	Hwlnit/RsvdP	0	Downstream Port Receiver Preset Hint (N/A)
3:0	Hwlnit/RsvdP	0	Downstream Port Transmitter Preset (N/A)

**Table 5-72: PCI Express Lane 2 Equalization Register**

Bits	Type	Default Value	Description
15	RsvdP	0	Reserved
14:12	Hwlnit/RO	7h	Upstream Port Receiver Preset Hint
11:8	Hwlnit/RO	Fh	Upstream Port Transmitter Preset
7	RsvdP	0	Reserved
6:4	Hwlnit/RsvdP	0	Downstream Port Receiver Preset Hint (N/A)
3:0	Hwlnit/RsvdP	0	Downstream Port Transmitter Preset (N/A)

**Table 5-73: PCI Express Lane 3 Equalization Register**

Bits	Type	Default Value	Description
15	RsvdP	0	Reserved
14:12	Hwlnit/RO	7h	Upstream Port Receiver Preset Hint
11:8	Hwlnit/RO	Fh	Upstream Port Transmitter Preset
7	RsvdP	0	Reserved
6:4	Hwlnit/RsvdP	0	Downstream Port Receiver Preset Hint (N/A)
3:0	Hwlnit/RsvdP	0	Downstream Port Transmitter Preset (N/A)

## 5.1.8 Device Serial Number Capability Register

**Table 5-74: Device Serial Number Capability Register Header**

Bits	Type	Default Value	Description
31:20	RO	158h	Next Capability Offset
19:16	RO	1h	Capability Version
15:0	RO	3h	PCI Express Extended Capability ID

**Table 5-75: Serial Number Register Header (offset 0x4/0x8)**

Bits	Type	Default Value	Description
31:0	RO	parameter	Serial Number register (1st dword)

## 5.1.9 Power Budgeting Extended Capability

**Table 5-76: Power Budgeting Extended Capability Header**

Bits	Type	Default Value	Description
31:20	RO	168h	Next Capability Offset
19:16	RO	1h	Capability Version
15:0	RO	4h	PCI Express Extended Capability ID

**Table 5-77: Data Register**

Bits	Type	Default Value	Description
31:21	RsvdP	0	Reserved
20:18	RO	0	Power Rail
17:15	RO	0	Type
14:13	RO	0	PM State
12:10	RO	0	PM Sub State
9:8	RO	0	Data Scale
7:0	RO	0	Base Power

**Table 5-78: Power Budget Capability Register**

Bits	Type	Default Value	Description
7:1	RsvdP	0	Reserved
0	HwInit	0	System Allocated

## 5.1.10 Latency Tolerance Reporting Capability Registers

**Table 5-79: LTR Extended Capability Header**

Bits	Type	Default Value	Description
31:20	RO	188h	Next Capability Offset
19:16	RO	1h	Capability Version
15:0	RO	18h	PCI Express Extended Capability ID

**Table 5-80: LTR Max Snoop latency Register**

Bits	Type	Default Value	Description
15:13	RsvdP	0	Reserved
12:10	RW	0	Max Snoop latency Scale
9:0	RW	0	Max Snoop latency Value

**Table 5-81: LTR Max No Snoop latency Register**

Bits	Type	Default Value	Description
15:13	RsvdP	0	Reserved
12:10	RW	0	Max No Snoop latency Scale
9:0	RW	0	Max No Snoop latency Value

## 5.1.11 L1 Substates Capability Registers

**Table 5-82: L1 Substates Extended Capability Header**

Bits	Type	Default Value	Description
31:20	RO	0	Next Capability Offset
19:16	RO	1h	Capability Version
15:0	RO	1Eh	PCI Express Extended Capability ID

**Table 5-83: L1 Substates Capability Register**

Bits	Type	Default Value	Description
31:24	RsvdP	0	Reserved
23:19	Hwlnit	5h	Port Power on value
18	RsvdP	0	Reserved
17:16	Hwlnit	0	Port T_Power_on scale
15:8	Hwlnit	Ah	Port Common_mode_restore_time
7:5	RsvdP	0	Reserved
4	Hwlnit	0	L1 PM Substates Supported
3	Hwlnit	0	ASPM PM L1.1 Supported
2	Hwlnit	0	ASPM PM L1.2 Supported
1	Hwlnit	0	PCI PM L1.1 Supported
0	Hwlnit	0	PCI PM L1.2 Supported

**Table 5-84: L1 Substates Control1 Register**

Bits	Type	Default Value	Description
31:29	RW	0	LTR L1.2 Threshold Scale
28:26	RsvdP	0	Reserved
25:16	RW	0	LTR L1.2 Threshold value
15:8	RsvdP	0	Common_mode_restore_time
7:4	RsvdP	0	Reserved
3	RW	0	ASPM PM L1.1 Supported
2	RW	0	ASPM PM L1.2 Supported
1	RW	0	PCI PM L1.1 Supported
0	RW	0	PCI PM L1.2 Supported

**Table 5-85: L1 Substates Control2 Register**

Bits	Type	Default Value	Description
31:8	RsvdP	0	Reserved
7:3	RW	5	T_POWER_ON Value
2	RsvdP	0	Reserved
1:0	RW	0	T_POWER_ON Scale

## 5.2 NVM Express Registers

### 5.2.1 Register Summary

**Table 5-86: Register Summary**

Start Address	End Address	Symbol	Description
00h	07h	CAP	Controller Capabilities
08h	0Bh	VS	Version
0Ch	0Fh	INTMS	Interrupt Mask Set
10h	13h	INTMC	Interrupt Mask Clear
14h	17h	CC	Controller Configuration
18h	1Bh	Reserved	Reserved
1Ch	1Fh	CSTS	Controller Status
20h	23h	Reserved	Reserved
24h	27h	AQA	Admin Queue Attributes
28h	2Fh	ASQ	Admin Submission Queue Base Address
30h	37h	ACQ	Admin Completion Queue Base Address
38h	EFFh	Reserved	Reserved
F00h	FFFh	Reserved	Command Set Specific
1000h	1003h	SQ0TDBL	Submission Queue 0 Tail Doorbell (Admin)
1000h + (1 * (4 << CAP.DSTRD))	1003h + (1 * (4 << CAP.DSTRD))	CQ0HDBL	Completion Queue 0 Head Doorbell (Admin)
...	...	...	...
1000h + (2y * (4 << CAP.DSTRD))	1003h + (2y * (4 << CAP.DSTRD))	SQyTDVL	Submission Queue y Tail Doorbell
1000h + ((2y + 1) * (4 << CAP.DSTRD))	1003h + ((2y + 1) * (4 << CAP.DSTRD))	CQyHDBL	Completion Queue y Head Doorbell

## 5.2.2 Controller Registers

**Table 5-87: Controller Capabilities**

Bits	Type	Name	Default Value	Description
63:56:00	RO		0h	Reserved
55:52:00	RO	MPSMAX	Fh	Memory Page Size Maximum (Maximum is 8KB)
51:48:00	RO	MPSMIN	0	Memory Page Size Minimum (Minimum is 4KB)
47:45:00	RO		0	Reserved
44:37:00	RO	CSS	1h	Command Sets Supported
				1h: NVM command set
36	RO		0	Reserved
35:32:00	RO	DSTRD	0	Doorbell Stride
				0: Stride of 4 bytes
31:24:00	RO	TO	3Ch	Timeout
				4h: 2 seconds
23:19	RO		0	Reserved
18:17	RO	AMS	0	Arbitration Mechanism Supported
				(Only support round robin)
16	RO	CQR	1	Contiguous Queues Required
15:00	RO	MQES	3FFFh	Maximum Queue Entries Supported
				(16384 entries supported)

**Table 5-88: Version**

Bits	Type	Name	Default Value	Description
31:16	RO	MJR	1h	Major Version Number
15:0	RO	MNR	100h	Minor Version Number

**Table 5-89: Interrupt Mask Set**

Bits	Type	Name	Default Value	Description
31:00	RW1S	IVMS	0	Interrupt Vector Mask Set

**Table 5-90: Interrupt Mask Clear**

Bits	Type	Name	Default Value	Description
31:00	RW1C	IVMC	0	Interrupt Vector Mask Clear

**Table 5-91: Controller Configuration**

Bits	Type	Name	Default Value	Description
31:24	RO	-	0	Reserved
23:20	RW	IOCQES	0	I/O Completion Queue Entry Size (Configured as a power of 2) (Should be set to 4 for a 16 byte entry size)
19:16	RW	IOSQES	0	I/O Submission Queue Entry Size (Configured as a power of 2) (Should be set to 6 for a 64 byte entry size)
15:14	RW	SHN	0	Shutdown Notification 0h: No notification 1h: Normal shutdown notification 2h: Abrupt shutdown notification 3h: Reserved CSTS.SHST indicates shutdown status.
13:11	RW	AMS	0	Arbitration Mechanism Selected 0h: Round Robin No other values supported.
10:7	RW	MPS	0	Memory Page Size MPS is $2^{(12+MPS)}$ Shall be within CAP.MPSMAX and CAP.MPSMIN ranges.
6:4	RW	CSS	0	Command Set Selected 0h: NVM Command Set No other values supported
3:1	RO	-	0	Reserved
0	RW	EN	0	Enable When set to 1, controller shall process commands. When cleared to 0, controller shall not process commands. This field is subject to CSTS.RDY and CAP.TO restrictions.

**Table 5-92: Controller Status**

Bits	Type	Name	Default Value	Description
31:4	RO	-	0	Reserved
3:2	RO	SHST	0	Shutdown Status 0h: Normal operation, no shutdown requested 1h: Shutdown processing occurring 2h: Shutdown processing complete 3h: Reserved
1	RO	CFS	0	Controller Fatal Status
0	RO	RDY	0	1h: Controller ready to process commands 0h: Controller shall not process commands.



**Table 5-93: Admin Queue Attributes**

Bits	Type	Name	Default Value	Description
31:28	RO	-	0	Reserved
27:16	RW	ACQS	0	Admin Completion Queue Size Max: 4096 (Value of 4095h - 0's based value)
15:12	RO	-	0	Reserved
11:0	RW	ASQS	0	Admin Submission Queue Size Max: 4096 (Value of 4095h - 0's based value)

**Table 5-94: Admin Submission Queue Base Address**

Bits	Type	Name	Default Value	Description
63:12	RW	ASQB	0	Admin Submission Queue Base Address
11:0	RO	-	0	Reserved

**Table 5-95: Admin Completion Queue Base Address**

Bits	Type	Name	Default Value	Description
63:12	RW	ACQB	0	Admin Completion Queue Base Address
11:0	RO	-	0	Reserved

**Table 5-96: Submission Queue Tail y Doorbell**

Bits	Type	Name	Default Value	Description
31:16	RO		0	Reserved
15:0	RW	SQT	0	Submission Queue Tail

**Table 5-97: Completion Queue Head y Doorbell**

Bits	Type	Name	Default Value	Description
31:16	RO		0	Reserved
15:0	RW	CQH	0	Completion Queue Head

## 6 Supported Command Set

### 6.1 Admin Command Set

**Table 6-1: Opcode for Admin Commands**

Opcode (Hex)	Command Name
00h	Delete I/O Submission Queue
01h	Create I/O Submission Queue
02h	Get Log Page
04h	Delete I/O Completion Queue
05h	Create I/O Completion Queue
06h	Identify
08h	Abort
09h	Set Feature
0Ah	Get Feature
0Ch	Asynchronous Event Request
10h	Firmware Activate
11h	Firmware Image Download
80h – BFh	I/O Command Set Specific
C0h – FFh	Vendor Specific

#### 6.1.1 Identify Command

**Table 6-2: Identify Controller Data Structure**

Bytes	O/M	Default Value	Description
1:00	M	144Dh	PCI Vendor ID
3:02	M	144Dh	PCI Subsystem Vendor ID
23:04	M	S###N#####	Serial Number (ASCII), #:Variables
63:24:00	M	480GB: Viking K05VSFNP7960GUCCMSC 960GB: Viking K05VSFNP7960GUCCMSC	Model Number (ASCII)
71:64	M	BXV#####	Firmware Revision, #:Variables
72	M	2h	Recommended Arbitration Burst
75:73	M	002538h	IEEE OUI

Bytes	O/M	Default Value	Description
76	O	0	Controller Multi-Path I/O and Namespace Sharing Bit 2: 1h - Controller is associated with an SR-IOV Virtual Function 0h - Controller is associated with a PCI Function. Bit 1: 1h - Device has Two or More controller 0h - Device has One Controller Bit 0: 1h - Device has Two or More physical PCI Express ports 0h - Device has One PCI Express port
77	M	0h	Maximum Data Transfer Size Bit 0: 1h - Supported (dual port – future value) 0h - Not Support (Single Port) Maximum Data Transfer Size (MDTS)
79:78	M	01h	Controller ID (CNTLID)
255:80		0h	Reserved
257:256	M	0Eh	Optional Admin Command Support Bits 15:3 - Reserved Bit 3: 1h - Namespace Management and Namespace Attachment Commands Supported (SM953 conditionally supports the Namespace Management and Namespace Attachment command(NVMe v1.2 specification) for reconfigurable overprovisioning) Bit 2: 1h – Firmware Activate/Download Supported Bit 1: 1h Format NVM Supported Bit 0: 0 Security Send and Security Receive Not Supported
258	M	7h	Abort Command Limit (Maximum number of concurrently outstanding Abort commands) (0's based value)
259	M	3h	Asynchronous Event Request Limit (Maximum number of concurrently outstanding Asynchronous Event Request commands) (0's based value)
260	M	7h	Firmware Updates Bits 7:4 – Reserved Bits 3:1 – Number of firmware slots Bit 0 – 1h Slot 1 is read only
261	M	1h	Log Page Attributes Bits 7:1 – Reserved Bit 0: 0h SMART data is global for all namespaces
262	M	3Fh	Error Log Page Entries (Number of Error Information log entries stored by controller) (0's based value)
263	M	0h	Number of Power States Support (0's based value)
264	M	1h	Admin Vendor Specific Command Configuration Bits 7:1 – reserved Bit 0 – Indicates Admin Vendor Specific Commands use the format defined in NVM Express 1.0c Figure 8.
265	O	0h	Autonomous Power State Transition Attributes (APSTA)
511:266	-	-	Reserved
512	M	66h	Submission Queue Entry Size Bits 7:4 – 6h Max SQES (64 bytes) Bits 3:0 – 6h Required SQES (64 bytes)
513	M	44h	Completion Queue Entry Size Bits 7:4 – 4h Max SQES (16 bytes) Bits 3:0 – 4h Required SQES (16 bytes)
515:514		0h	Reserved
519:516	M	1h	Number of Namespaces

Bytes	O/M	Default Value	Description
521:520	M	1Fh	Optional NVM Command Support Bits 15:6 – Reserved Bit 5 – 1h Reservations Supported 0h Not support Reservations Bit 4 – 1h Save field in Set Feature & Select field in Get Feature Supported 0h Not support Save field in Set Feature & Select field in Get Feature Bit 3 – 1h Write Zeros Supported 0h Not support Write Zeros Bit 2 – 1h Dataset Management Supported 0h Not support Dataset Management Bit 1 – 1h Write Uncorrectable Supported 0h Not support Write Uncorrectable Bit 0 – 1h Compare Supported 0h Not support Compare
523:522	M	0h	Fused Operation Support Bits 15:1 – Reserved Bit 0 – 0h Compare/Write Fused Operation Not Supported
524	M	0h	Format NVM Attributes Bits 7:3 – Reserved Bit 2 – 1h Cryptographic Erase Bit 1 – 1h Secure Erase Per Namespace Bit 0 – 0h Format Per Namespace
525	M	0h	Volatile Write Cache 0h – No VWC present
527:526	M	FFh	Atomic Write Unit Normal
529:528	M	7h	Atomic Write Unit Power Fail (0's based value)
530	M	1h	NVM Vendor Specific Command Configuration Bits 7:1 – reserved Bit 0 – Indicates NVM Vendor Specific Commands use the format defined in NVM Express 1.1.a
531	M	0h	Reserved
533:532	O	0h	ACWU
534:533	M	0h	Reserved
539:536	O	0h	No SGL support
703:540	-	0h	Reserved
I/O Command Set Attributes			
2047:704	-	0h	Reserved
Power State Descriptors			
2079:2048	M	refer to 'Identify Power State Descriptor Data Structure'	Power State 0 Descriptor
2111:2080	O	0h	N/A
2143:2112	O	0h	N/A
...	-	0h	N/A
3071:3040	O	0h	Power State 31 Descriptor (N/A)
Vendor Specific			
4095:3072	-	-	Viking Reserved

**Table 6-3: Identify Power State Descriptor Data Structure**

Bits	Power State 0	Description
255:125	0h	Reserved
124:120	0h	Relative Write Latency
119:117	0h	Reserved
116:112	0h	RelativeWriteThroughput
111:109	0h	Reserved
108:104	0h	RelativeReadLatency
103:101	0h	Reserved
100:96	0h	RelativeReadThroughput
95:64	5h	Exit Latency
63:32:00	5h	(QWUVDWHQF\____XV__
31:26:00	0h	Reserved
25	0h	Non-Operational State
24	0h	Max Power Scale
23:16	0h	Reserved
15:00	384h	Maximum Power

**Table 6-4: Identify Namespace Data Structure**

Bytes	O/M	Default Value	Description
7:00	M	480GB 960GB 920GB 37E436B0h (512B) 6FC81AB0h (512B) DF8FE2B0h (512B)	Namespace Size
15:88	M	480GB 960GB 1920GB 37E436B0h (512B) 6FC81AB0h (512B) DF8FE2B0h (512B)	Namespace Capacity
23:16	M	-	Namespace Utilization A device may report Namespace Utilization equal to Namespace Capacity at all times if the product is not targeted for thin provisioning environments
24	M	0h	Namespace Features Bits 7:1 Reserved Bit 0: Thin provisioning not supported
25	M	0h	Number of LBA Formats
26	M	0h	Formatted LBA Size Bits 7:5 – Reserved Bit 4: Metadata interleaved or separate (based on LBA format) Bit 3:0 – Indicates LBA format
27	M	0h	Metadata Capabilities Bits 7:2 – Reserved Bit 1 – Supports Metadata as separate buffer Bit 0 – Supports Metadata as extended LBA

Bytes	O/M	Default Value	Description
28	M	0h	End-to-end Data Protection Capabilities Bits 7:5 – Reserved Bit 4 – Supports protection information as last 8 bytes of Metadata Bit 3 – Supports protection information as first 8 bytes of metadata Bit 2 – Supports Type 3 protection information Bit 1 – Supports Type 2 protection information Bit 0 – Supports Type 1 protection information
29	M	0h	End-to-End Data Protection Type Settings Bits 7:4 – Reserved Bit 3 – 1: Protection information transferred as first 8 bytes of metadata Bit 3 – 0: Protection information transferred as last 8 bytes of metadata Bit 2:0 – 000b: Protection information disabled Bit 2:0 – 1h: Protection type 1 enabled Bit 2:0 – 2h: Protection type 2 enabled Bit 2:0 – 3h: Protection type 3 enabled
30	O	0h	Namespace Multi-path I/O and Namespace sharing Capabilities (NMIC) Bits 7:1 - Reserved Bit 0 - 1 : Accessible by two or more controllers Bit 0 - 0 : Private namespace
31	O	0h	Reservation Capabilities (RESCAP) Bits 7 - Reserved Bits 6 - 1: Namespace supports the Exclusive Access (All Registrants reservation type) Bit 5 - 1 : Namespace supports the Write Exclusive (All Registrants reservation type) Bit 4 - 1 : Namespace supports the Exclusive Access (Registrants only reservation type) Bit 3 - 1 : Namespace supports the Write Exclusive (Registrants only reservation type) Bit 2 - 1 : Namespace supports the Exclusive Access Reservation type Bit 1 - 1 : Namespace supports the Write Exclusive Reservation type Bit 0 - 1 : Namespace supports the Persist Through Power Loss capability
119:32	-	0h	Reserved
127:120	M	0025382#####h	IEEE Extended Unique Identifier(EUI64) #:Variables
131:128	M	refer to 'LBA Format 0 Data Structure'	LBA Format 0 Support
135:132	O	0h	LBA Format 1 Support
139:136	O	0h	LBA Format 2 Support
143:140	O	0h	LBA Format 3 Support
147:144	O	0h	LBA Format 4 Support (N/A)
...			
191:188	O	0h	LBA Format 15 Support (N/A)
383:192	-	0h	Reserved
Vendor Specific			
4095:384		-	Viking Reserved

**Table 6-5: LBA Format 0 Data Structure**

Bits	Name	Default Value	Description
31:26:00		0	Reserved
25:24:00	RP	0	Relative Performance
23:16	LBADS	9h	LBA Data Size
15:00	MS	0	Metadata Size

## 6.2 NVM Express I/O Command Set

**Table 6-6: Opcode for NVM Express I/O Commands**

Opcode (Hex)	Command Name
00h	Flush
01h	Write
02h	Read
04h	Write Uncorrectable
05h	Compare
08h	Write Zeroes
09h	Dataset Management

## 6.3 SMART/Health Information

**Table 6-7: SMART/Health Information Log**

Bytes	Default Value	Attribute Description
0	0	Critical Warning Bit 7:5 – Reserved Bit 4 – 1h: the available spare space has fallen below the threshold Bit 3 – 1h: the temperature has exceeded a critical threshold Bit 2 – 1h: the device reliability has been degraded due to significant media related errors or any internal error that degrades device reliability Bit 1 – 1h: the media has been placed in read only mode Bit 0 – 1h: the volatile memory backup device has failed. (only valid if the controller has a volatile memory backup solution)
2:01	current temp	Temperature
3	100	Available Spare
4	10	Available Spare Threshold
5	0	Percentage Used
31:06:00	-	Reserved
47:32:00	0	Data Units Read
63:48:00	0	Data Units Written
79:64	0	Host Read Commands
95:80	0	Host Write Commands
111:96	0	Controller Busy Time
127:112	0	Power Cycles
143:128	0	Power On Hours
159:144	0	8QVDIH_6KXWGRZQV
175:160	0	Media Errors
191:176	0	Number of Error Information Log Entries



## 7 Product Compliance

**Table 7-1: Product Compliance Certifications**

Category	Certifications
Safety	c-UL-us
	CE
	TUV
	CB
	CE (EU)
EMC	BSMI (Taiwan)
	KCC (South Korea)
	VCCI (Japan)
	C-Tick (Australia)
	FCC (USA)

## 8 References

- PCI Express 2.5 inch Specification
- PCI Express Base Specification Rev. 3.0
- NVM Express Specification Rev.1.1a