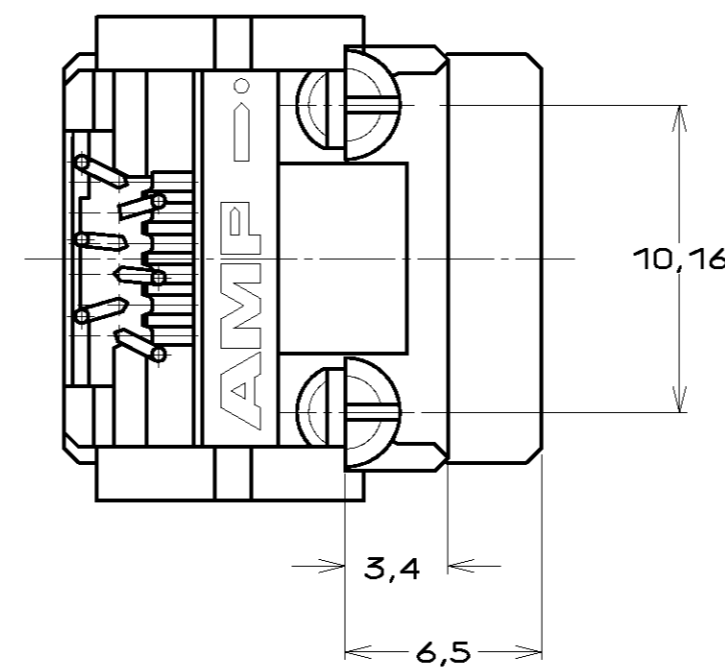
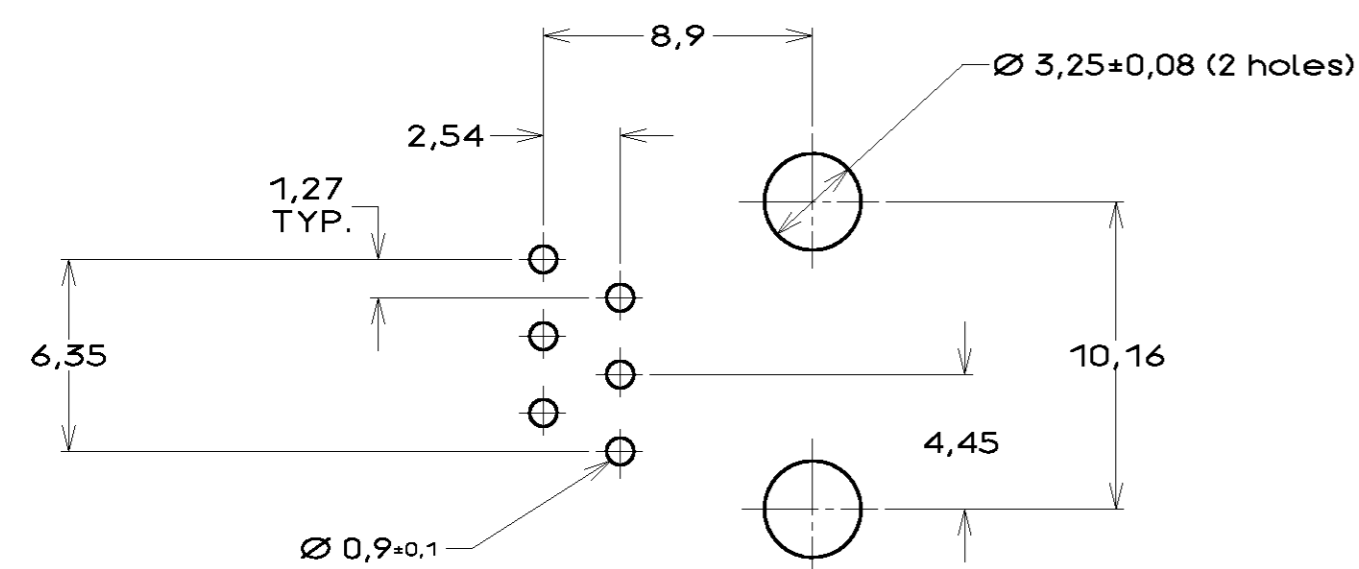
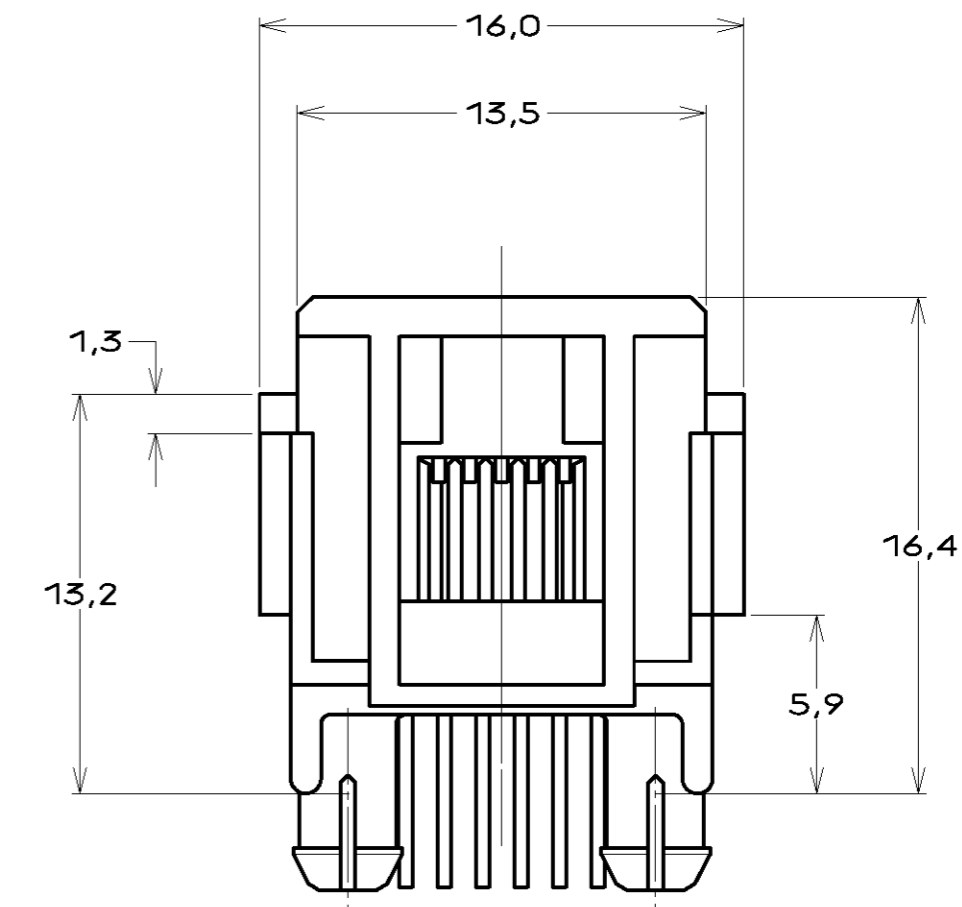
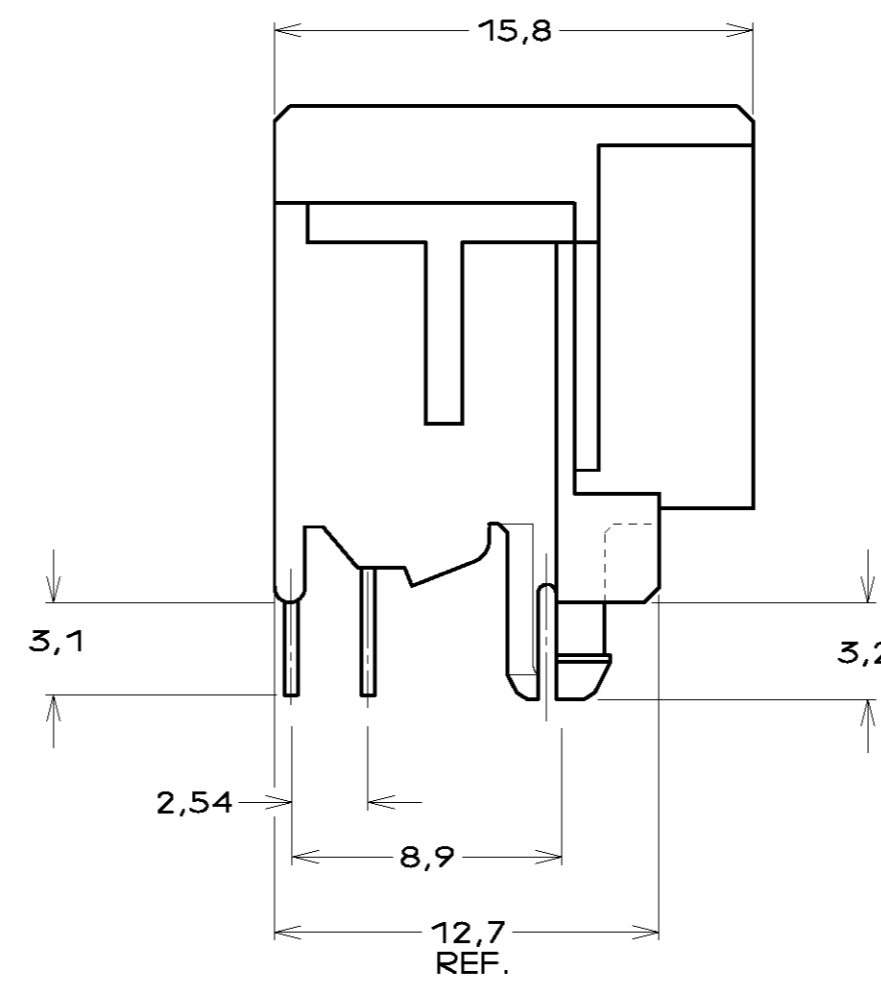
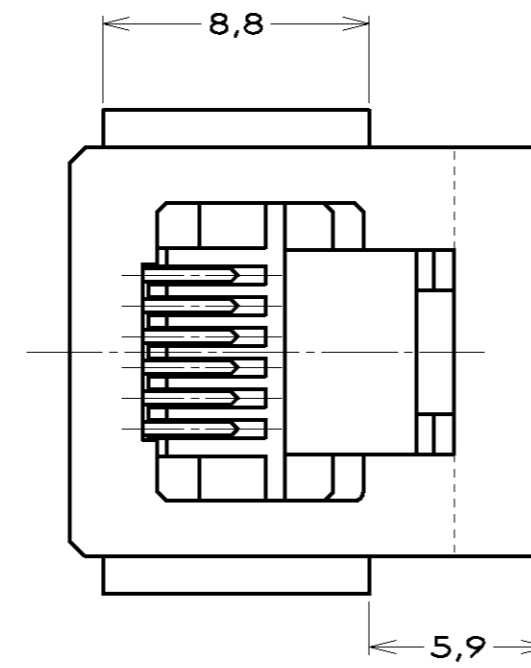
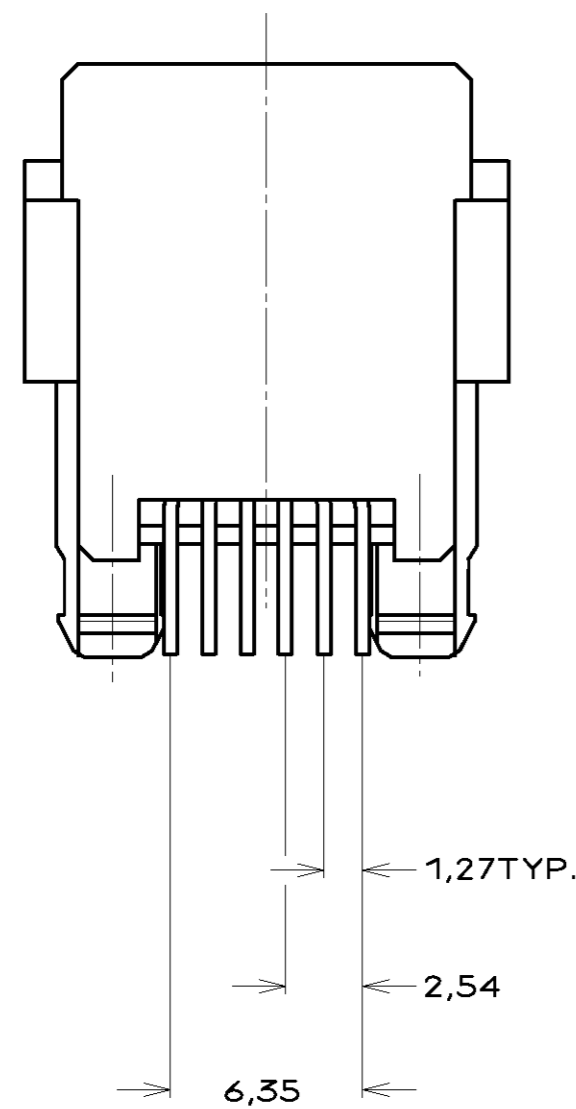


NOTES:

- 1 SEE SHEET 2 FOR 216564-2, 6 POS./4 CONTACTS.
- 2 TOLERANCES UNLESS OTHERWISE SPECIFIED: ±0,15
- 3 FOR APPLICATION INFORMATION SEE AMP SPEC. 114-19019.
- 4 FOR PERFORMANCE REQUIREMENTS SEE AMP SPEC. 108-19064



PRINTED CIRCUIT BOARD LAYOUT

[VIEW SHOWN IS CIRCUIT (NONCOMPONENT) SIDE OF BOARD.]

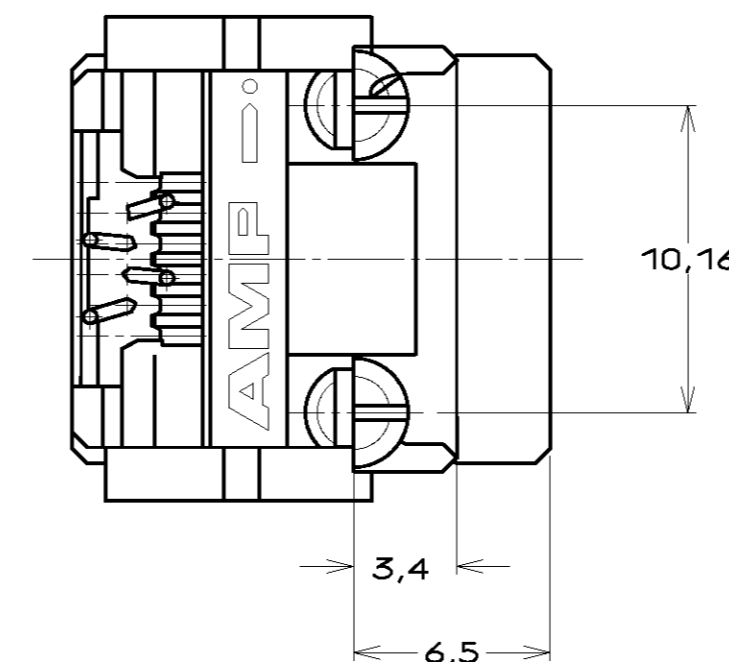
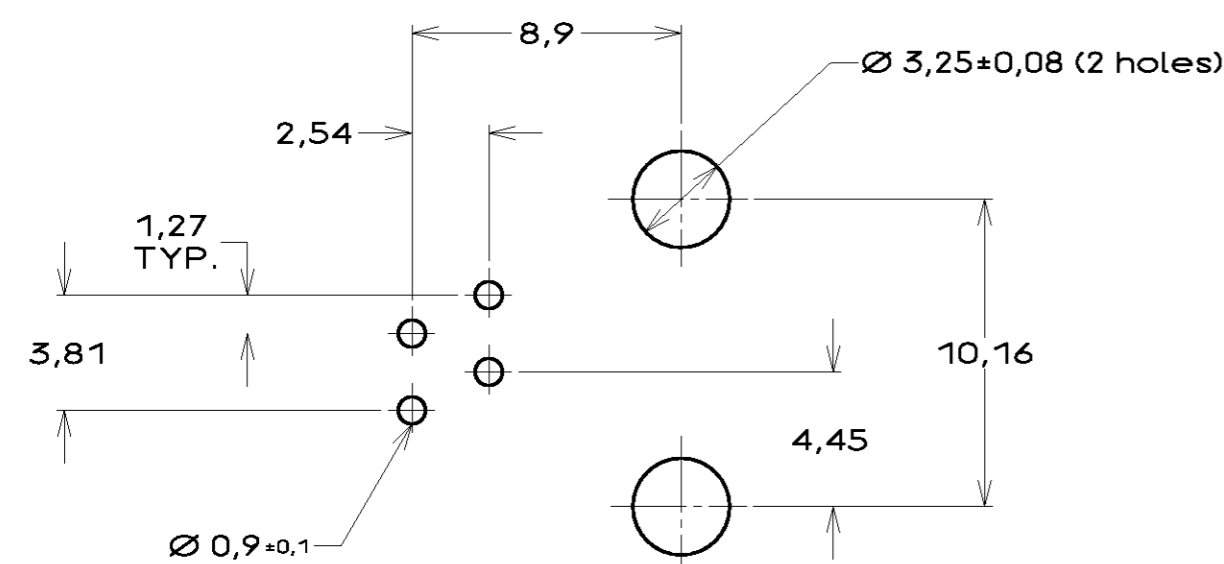
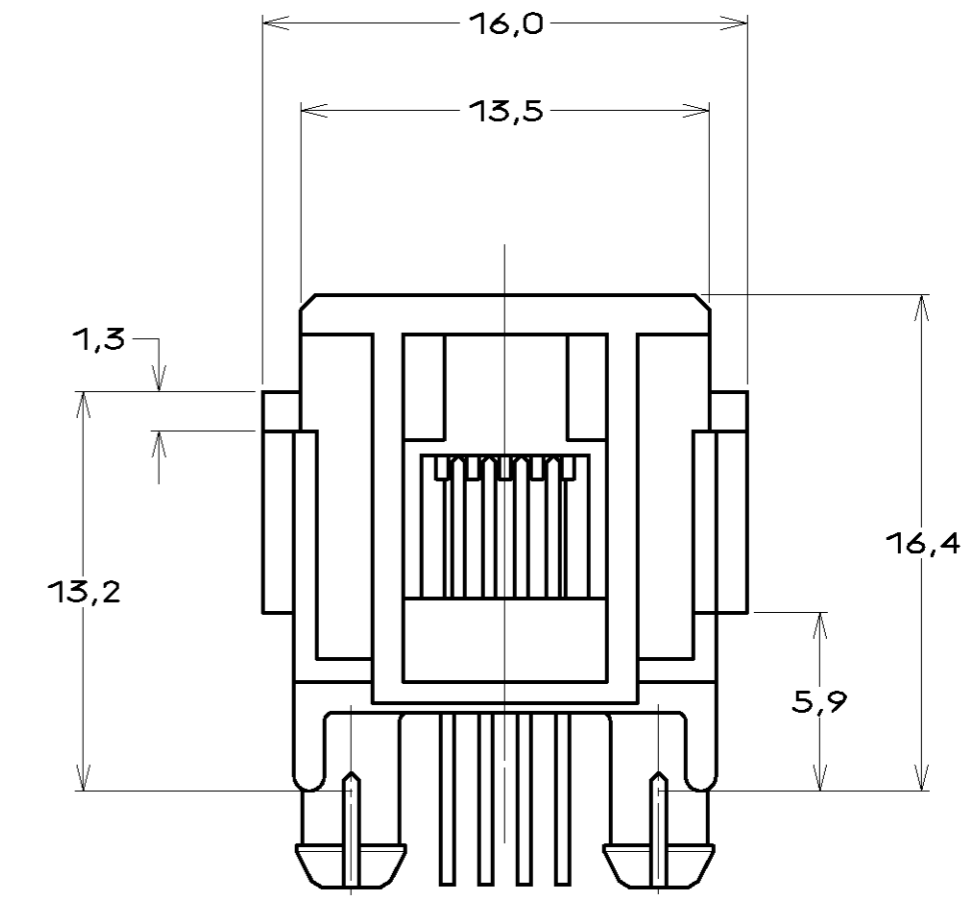
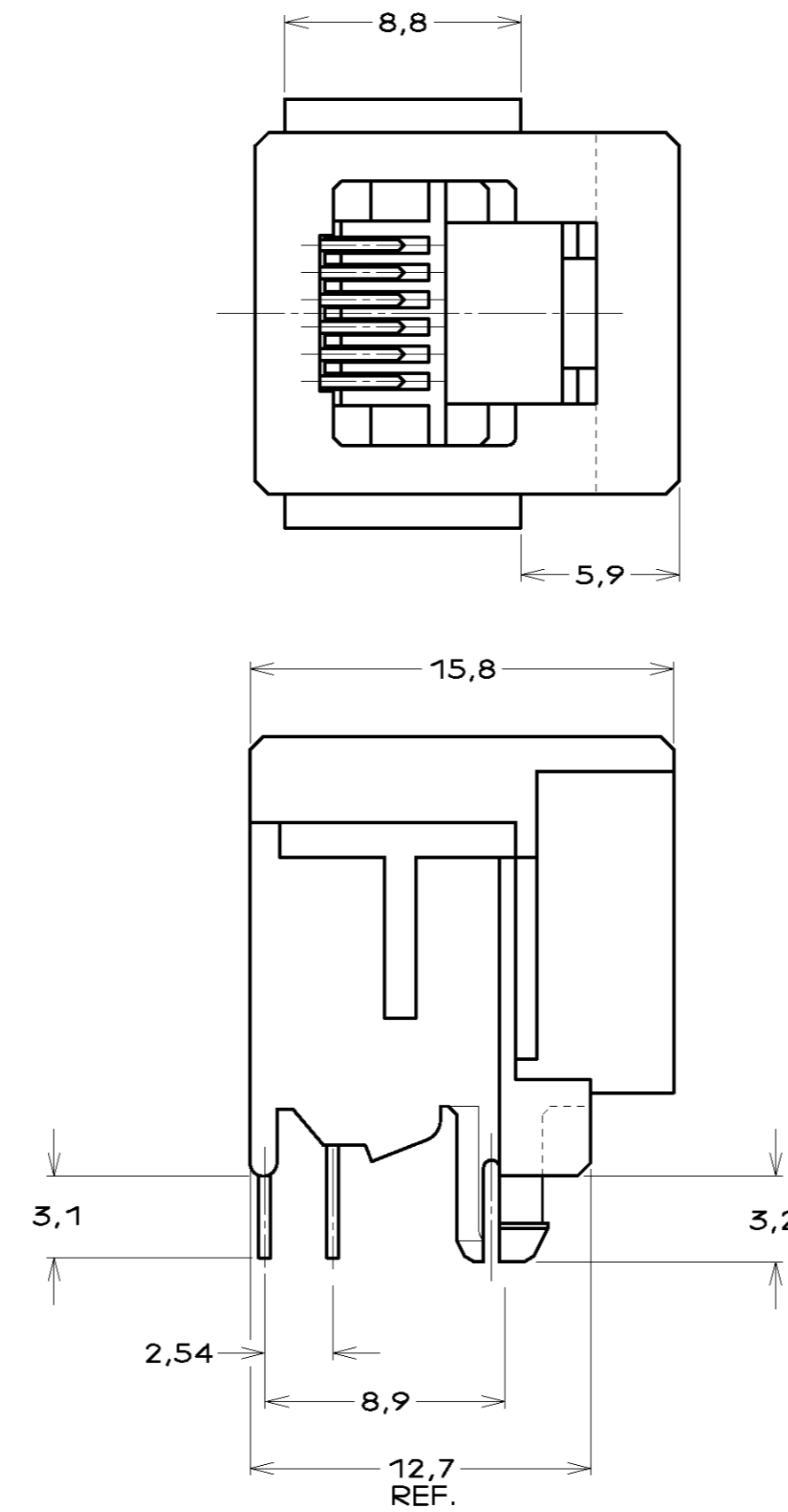
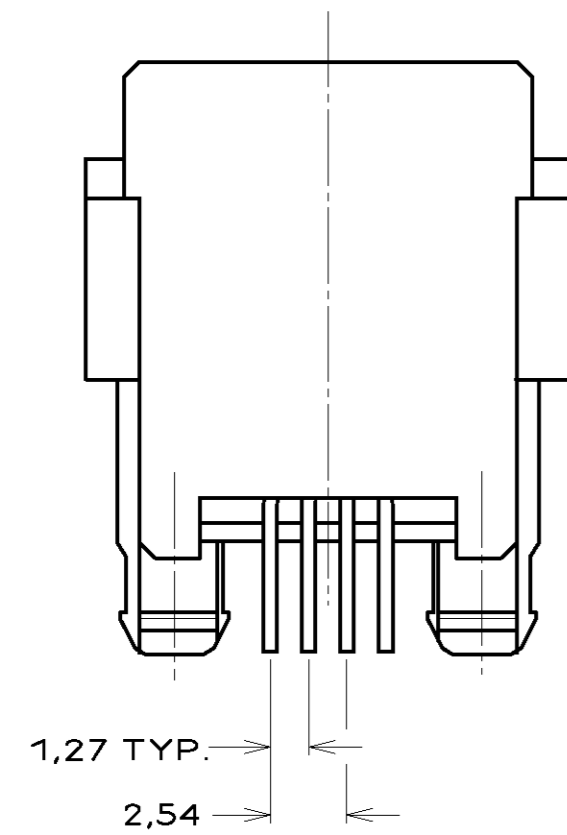
TOLERANCES UNLESS OTHERWISE SPECIFIED: ± 0,05.
PRINTED CIRCUIT BOARD THICKNESS: 1,6 mm NOMINAL.

700pcs. ON A 60cm. DIA. REEL	6 POSITIONS/ 6 CONTACTS.	IN CONTACT AREA: 1,2µm MIN. SEL. GOLD OVER 1,2µm MIN. NICKEL	HOUSING: PTB,UL 94-HB COLOR: BLACK	216564-1
REMARKS		FINISH	MATERIAL	PARTNUMBER
-		CUSTOMER DRAWING FOR REFERENCE ONLY WILL NOT BE UPDATED		
-		© COPYRIGHT 19 BY AMP HOLLAND B.V. ALL INTERNATIONAL RIGHTS RESERVED. AMP PRODUCTS MAY BE COVERED BY U.S. AND FOREIGN AND/OR PATENTS PENDING.		
H2 ECR-08-013498		AEG -	18-02-09	THIS DRAWING IS UNPUBLISHED RELEASED FOR PUBLICATION
H1 0U60-0073-00		KV KV	10 AUG 00	
H EH-1376-99		MVE MVE	22 JUL 99	
G EH-0939-99		JG TD	APR 99	
F EH-0244-96		MVE G.C.	15 FEB 96	
LTR. REVISION RECORD		DR. CHK.	DATE	
DR.: L.v.d.HEIJDEN	CHK.: C.STERKEN	APP.: L.v.SOEST	DWG.No.	REV.LTR. SHEET
DATE: 29 AUG 89	DATE: -	DATE: -	C-216564	H2 1 OF 2

G
F
E
D
C
B
A

NOTES:

- 1 SEE SHEET 1 FOR 216564-1, 6 POS/6 CONTACTS.
- 2 TOLERANCES UNLESS OTHERWISE SPECIFIED: ±0,15
- 3 FOR APPLICATION INFORMATION SEE AMP SPEC. 114-19019.
- 4 FOR PERFORMANCE REQUIREMENTS SEE AMP SPEC. 108-19064



PRINTED CIRCUIT BOARD LAYOUT
 [VIEW SHOWN IS CIRCUIT (NONCOMPONENT) SIDE OF BOARD.]
 TOLERANCES UNLESS OTHERWISE SPECIFIED: ± 0,05.
 PRINTED CIRCUIT BOARD THICKNESS: 1,6 mm NOMINAL.

OBSOLETE	BULK PACKAGED 1000pcs. IN A BOX		IN CONTACT AREA: 1,2µm MIN. SEL. GOLD OVER 1,2µm MIN. NICKEL	HOUSING: PTB, UL 94 HB COLOR: BLACK	216564-5
	700pcs. ON A 60cm DIA. REEL	6 POSITIONS/ 4 CONTACTS.	SOLDER FINISH: 2,0µm MIN. TIN-LEAD OVER 1,2µm MIN. NICKEL	CONTACTS: PHOSPHOR BRONZE	216564-2
	PACKAGING	REMARKS	FINISH	MATERIAL	PARTNUMBER
	-	-	-	-	-
	-	-	-	-	-
	-	-	-	-	-
	-	-	-	-	-
	-	-	-	-	-
	-	-	-	-	-
	SEE SHEET 1	-	-	-	-
	LTR.	DR.	CHK.	DATE	
	DR.: P.BEIJWON	CHK.: C.STERKEN	APP.: L.v.SOEST	DWG.No	
	DATE: -	DATE: -	DATE: -	C-216564	
				REV. LTR.	SHEET
				H2	2 OF 2
					A2