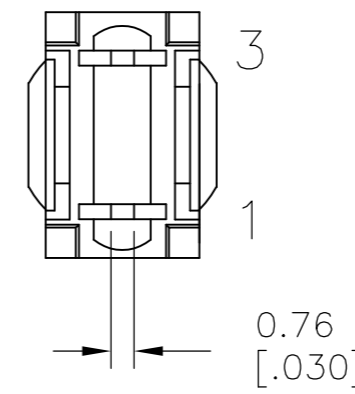
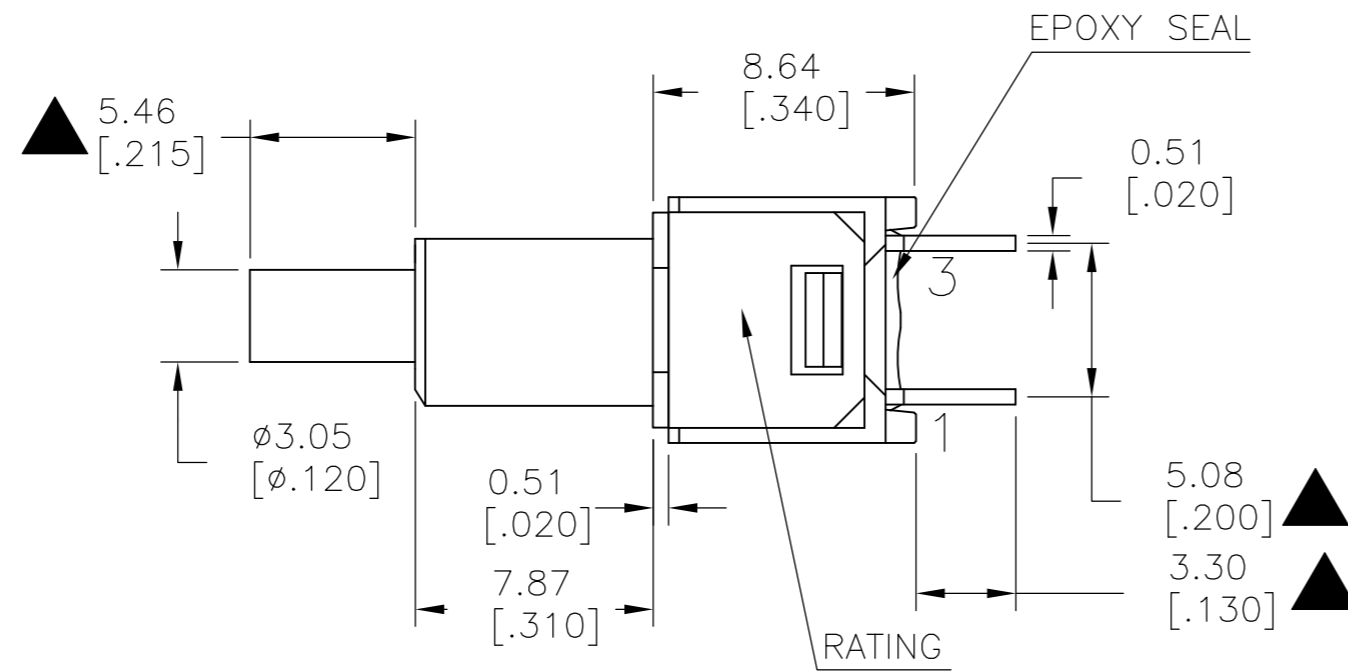
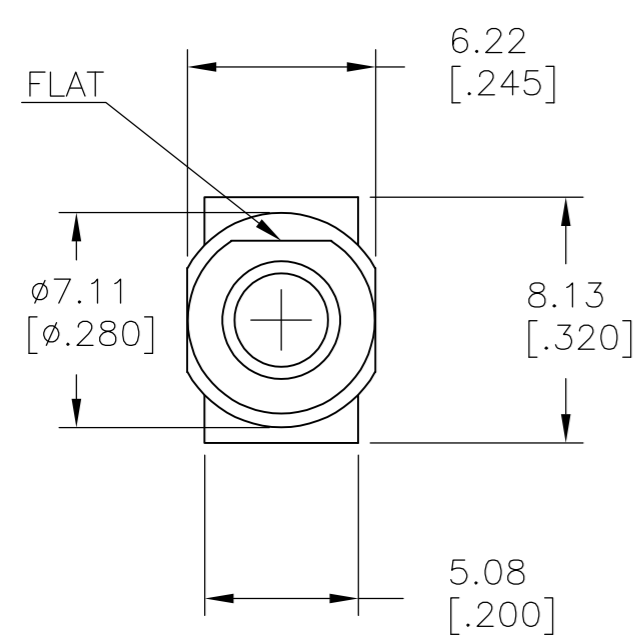


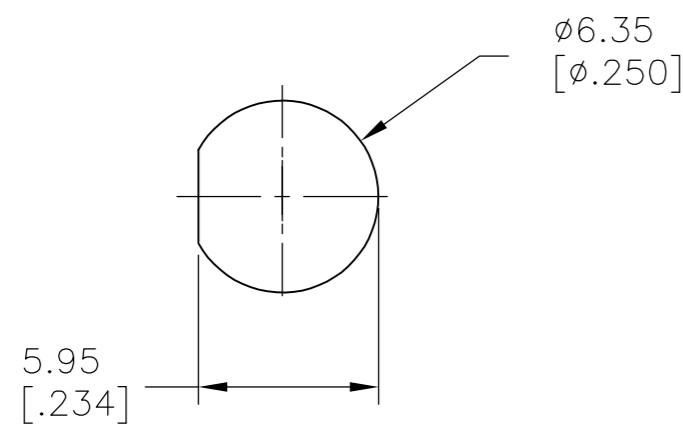
THIS DRAWING IS UNPUBLISHED. RELEASED FOR PUBLICATION
 © COPYRIGHT - By - ALL RIGHTS RESERVED.

LOC		DIST		REVISIONS			
P	LTR	DESCRIPTION		DATE	DWN	APVD	
-	-	A1	REVISED PER ECO-15-014342	07OCT2015	NK	RH	

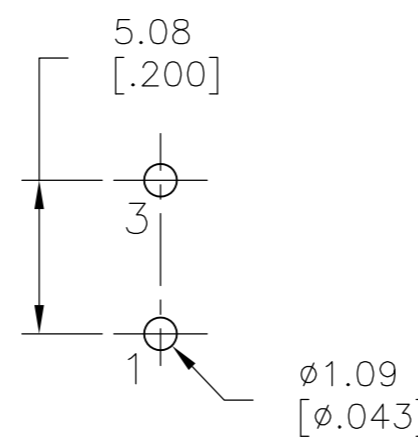


MODEL NO.	POS.1	POS.2
PMS9	OFF	MOM
TERM. COMM.	1-3	
SCHEMATIC	OPEN	

SWITCH FUNCTION



PANEL MOUNTING



P.C.MOUNTING

LAYOUT FOR PN 2267075-1

SPECIFICATIONS

MECHANICAL LIFE: 50,000 MAKE-AND-BREAK CYCLES.

CONTACT RESISTANCE: 20 mΩ MAX. INITIAL @ 2-4VDC
 100mA FOR BOTH SILVER AND GOLD PLATED CONTACTS.

CONTACT RATING: SILVER PLATED: 3A @120 VAC OR 28 VDC, 1A @250 VAC
 GOLD PLATED: 0.4VA MAX @20 V MAX (AC OR DC)

INSULATION RESISTANCE: 1,000 MΩ MIN.

DIELECTRIC STRENGTH: 1,000 Vrms MIN.@SEA LEVEL.

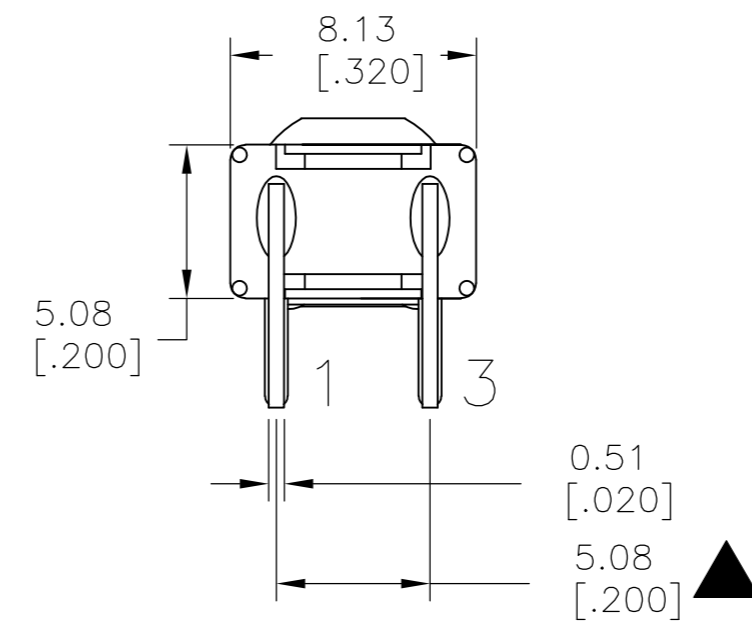
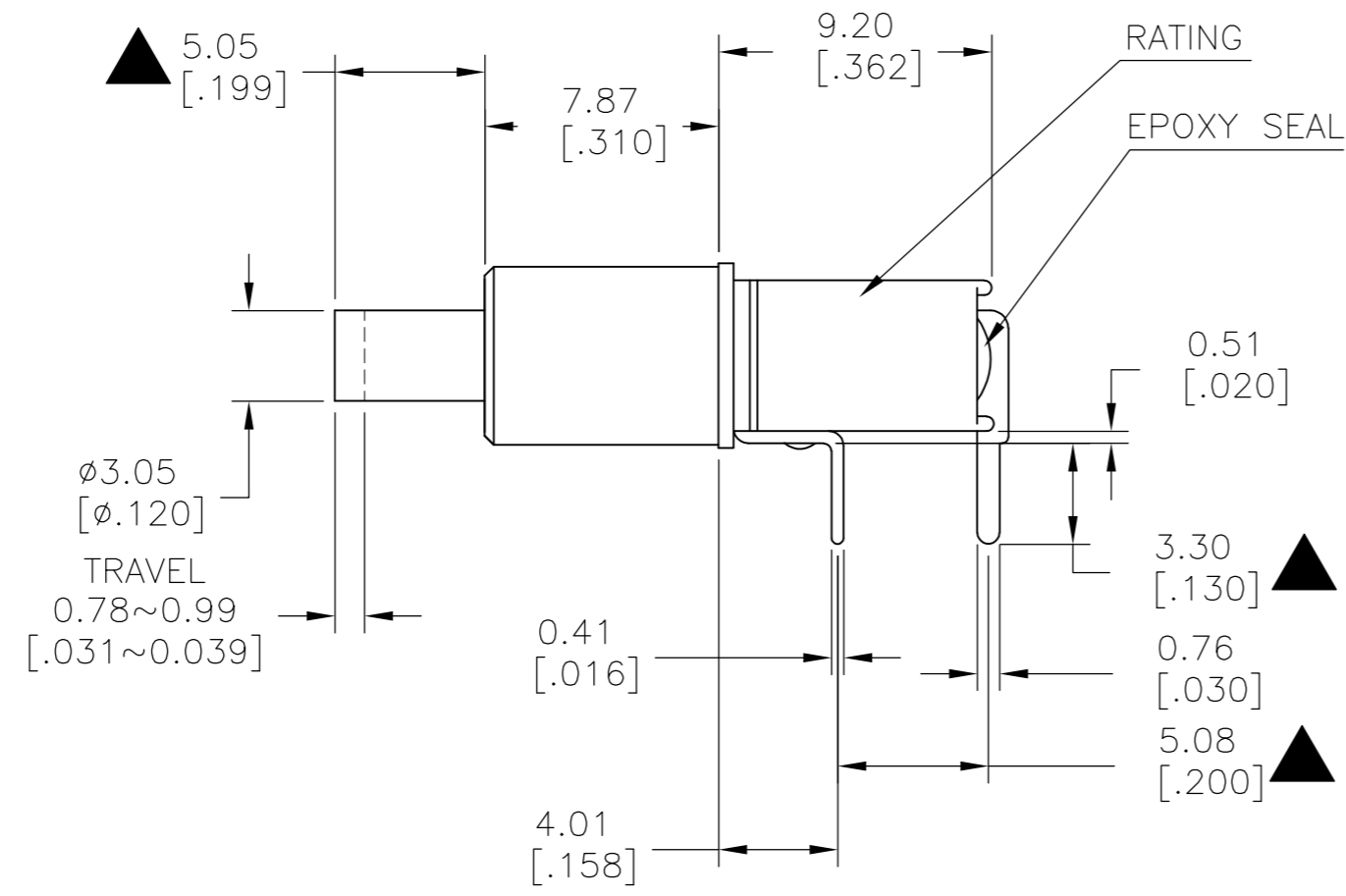
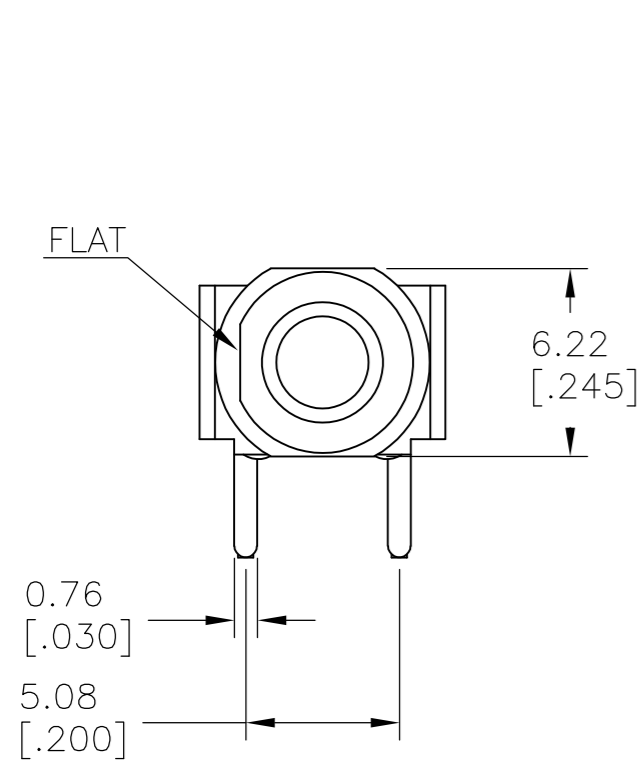
OPERATING TEMPERATURE: -30°C TO 85°C.

GOLD	OFF-MOM	PC THROUGH HOLE	RIGHT ANGLE	1	1	PMS9P1B08M6RE	2267075-2
GOLD	OFF-MOM	PC THROUGH HOLE	VERTICAL	1	1	PMS9P1B08M2RE	2267075-1
CONTACT MATERIAL	FUNCTION	TERMINATION	MOUNT ANGLE	POLES	THROWS	DESCRIPTIVE PN	TE PN

THIS DRAWING IS A CONTROLLED DOCUMENT.		DWN 10JUL2014 NAGALAKSHMI K	TE Connectivity	
DIMENSIONS: mm [INCHES]		CHK 10JUL2014 HILL, RYAN		
TOLERANCES UNLESS OTHERWISE SPECIFIED:		APVD 10JUL2014 HILL, RYAN	NAME SUBMINIATURE PUSH BUTTON SWITCH	
0 PLC ± -		PRODUCT SPEC	SIZE CAGE CODE DRAWING NO RESTRICTED TO	
1 PLC ± 0.38[.015]		APPLICATION SPEC	A2 00779 C=2267075	
2 PLC ± 0.25[.010]		WEIGHT -	SCALE 3:1 SHEET 1 OF 2 REV A1	
3 PLC ± -		CUSTOMER DRAWING		
4 PLC ± -				
ANGLES ± 5°				
FINISH -				

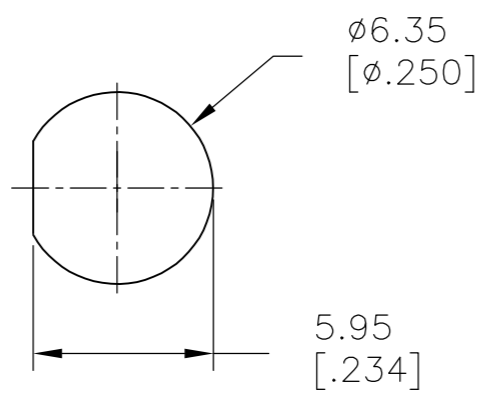
THIS DRAWING IS UNPUBLISHED. RELEASED FOR PUBLICATION
 © COPYRIGHT - By - ALL RIGHTS RESERVED.

LOC		DIST		REVISIONS			
P	LTR	DESCRIPTION	DATE	DWN	APVD		
-	-	SEE SHEET 1	-	-	-		

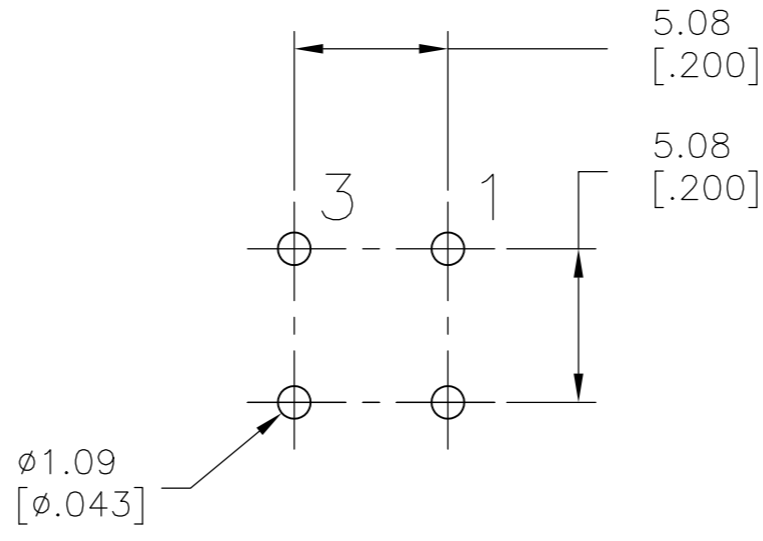


MODEL NO.	POS.1	POS.2
PMS9	OFF	MOM
TERM. COMM.	1-3	
SCHEMATIC	OPEN	

SWITCH FUNCTION



PANEL MOUNTING



P.C. MOUNTING

LAYOUT FOR PN 2267075-2

THIS DRAWING IS A CONTROLLED DOCUMENT.		DWN NAGALAKSHMI K 10JUL2014		
DIMENSIONS: mm [INCHES]		CHK HILL, RYAN 10JUL2014		
TOLERANCES UNLESS OTHERWISE SPECIFIED:		APVD HILL, RYAN 10JUL2014	NAME SUBMINIATURE PUSH BUTTON SWITCH	
0 PLC ± -		PRODUCT SPEC	SIZE A2	
1 PLC ± 0.38[015]		APPLICATION SPEC	CAGE CODE 00779	DRAWING NO C=2267075
2 PLC ± 0.25[010]		WEIGHT	RESTRICTED TO	
3 PLC ± -		CUSTOMER DRAWING	SCALE 3:1	SHEET 2 OF 2
4 PLC ± -			REV A1	
ANGLES ± 5°				
FINISH				