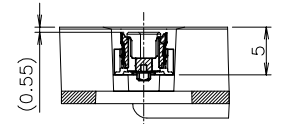
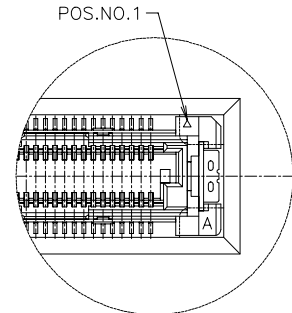
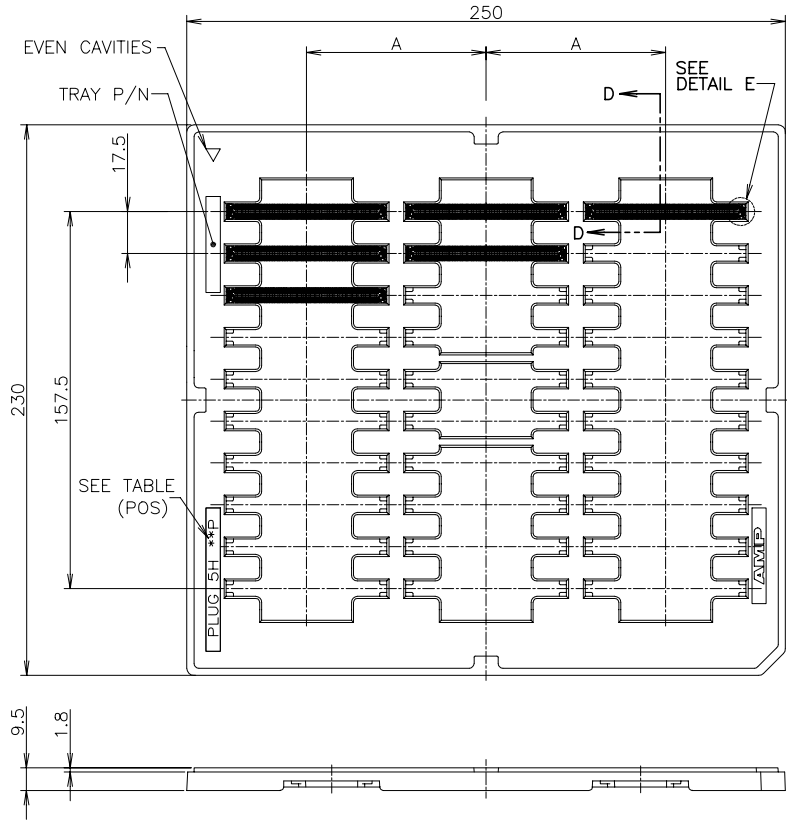


| REVISIONS |     |                                    |           |     |      |
|-----------|-----|------------------------------------|-----------|-----|------|
| P         | LTR | DESCRIPTION                        | DATE      | DWN | APVD |
| D3        |     | REMOVE TRAY HOLE PER PCN-22-135638 | 20JUN2022 | M.C | H.L  |

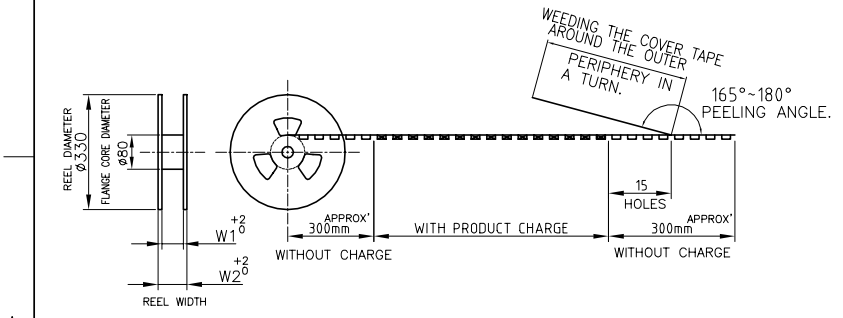
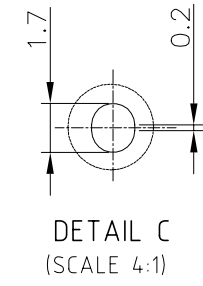
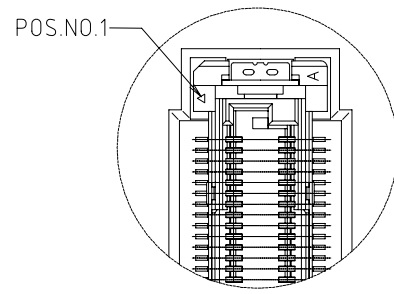
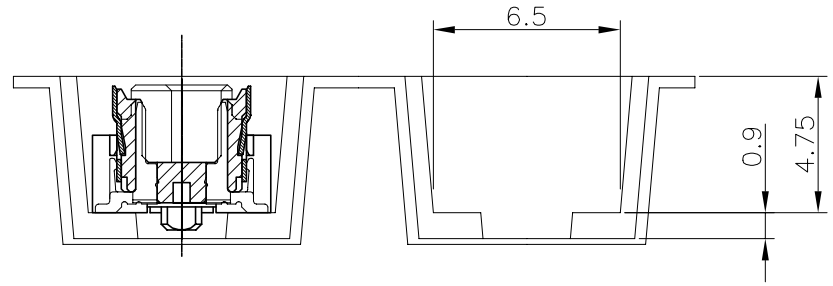
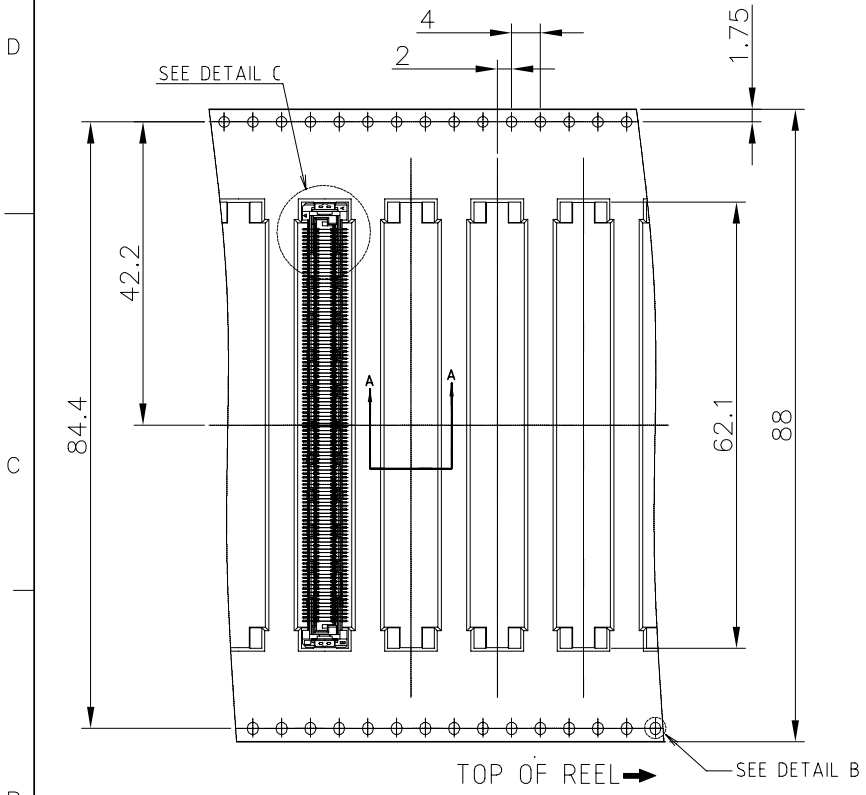


**WITHOUT CAP**

|  |  |                                |   |                    |                         |
|--|--|--------------------------------|---|--------------------|-------------------------|
| THIS DRAWING IS A CONTROLLED DOCUMENT.   |  | DWN<br>S. CHIEN<br>18MAY05     | TE Connectivity Ltd.  |                    |                         |
|  |  | CHK<br>T. FUTATSUGI<br>18MAY05 |   |                    |                         |
| DIMENSIONS: MM<br>   |  | APVD<br>W. KODAMA<br>18MAY05   | NAME  |                    |                         |
| TOLERANCES UNLESS OTHERWISE SPECIFIED:<br>0. PLC ± 0.25<br>1. PLC ± 0.15<br>2. PLC ± 0.10<br>3. PLC ± 0.05<br>4. PLC ± 0.0250<br>ANGLES ± 3° |  | PRODUCT SPEC<br>108-5560       | HARD TRAY PACKAGING<br>FH 0.5 BTB CONNECTOR 220POS<br>PLUG 5H WITH GROUND PLATE |                    |                         |
| MATERIAL   |  | APPLICATION SPEC               | SIZE<br>A3  | CAGE CODE<br>00779 | DRAWING NO<br>C=1827253 |
| FINISH   |  | WEIGHT                         | RESTRICTED TO   |                    |                         |
|  |  | CUSTOMER DRAWING               | SCALE<br>1:2  | SHEET<br>1 of 5    | REV<br>D3               |

|        |         |     |     |     |             |
|--------|---------|-----|-----|-----|-------------|
| NO     | 3       | 30  | 75  | 220 | 9-1827253-6 |
| FINISH | SEALANT | ROW | QTY | A   | POS.        |
| NO     | 3       | 30  | 75  | 220 | 3-1827253-6 |
|        |         |     |     |     | PART NO.    |

| REVISIONS |     |             |      |     |      |
|-----------|-----|-------------|------|-----|------|
| P         | LTR | DESCRIPTION | DATE | DWN | APVD |
| -         | -   | SEE SHEET 1 | -    | -   | -    |

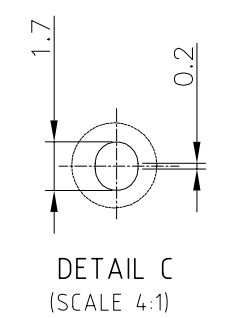
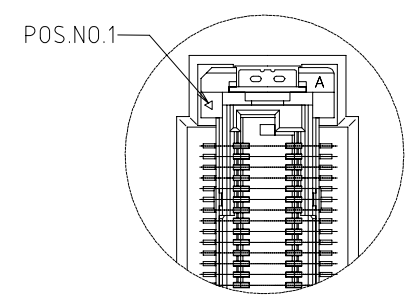
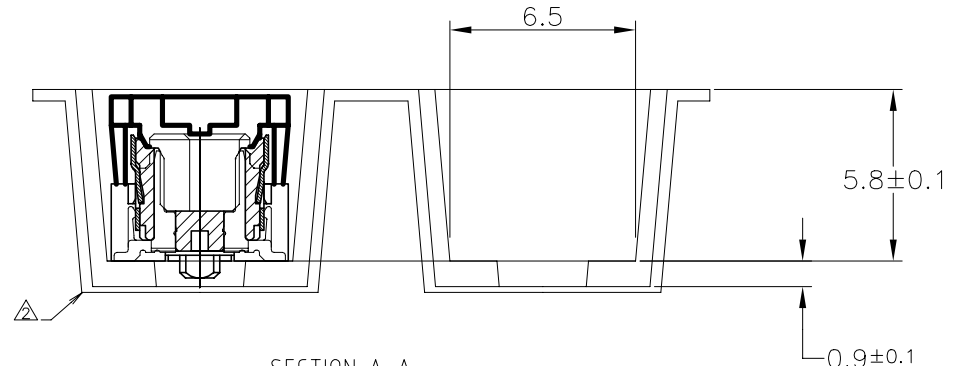
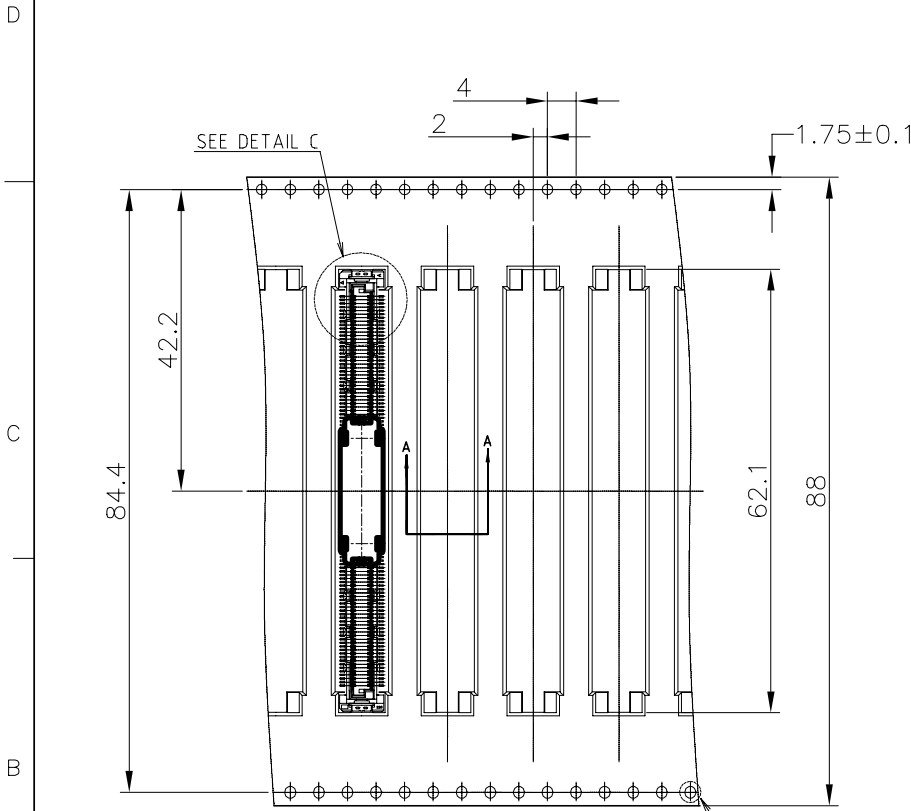


**WITHOUT CAP**

|        |                  |      |      |           |     |             |
|--------|------------------|------|------|-----------|-----|-------------|
| △      | NO               | 93.5 | 89.5 | 800       | 220 | 9-1827253-7 |
| △      | NO               | 93.5 | 89.5 | 800       | 220 | 4-1827253-6 |
| FINISH | SEALANT SIF-200B | W2   | W1   | QTY/ REEL | POS | TAPING P/N  |

|  |  |                          |                      |                             |           |              |
|--|--|--------------------------|----------------------|-----------------------------|-----------|--------------|
| THIS DRAWING IS A CONTROLLED DOCUMENT. |  | DWN S. CHIEN 18MAY05     | TE Connectivity Ltd. |                             |           |              |
|  |  | CHK T. FUTATSUGI 18MAY05 |                      |                             |           |              |
| DIMENSIONS: MM                         |  | APVD W. KODAMA 18MAY05   | NAME                 |                             |           |              |
| TOLERANCES UNLESS OTHERWISE SPECIFIED: |  | PRODUCT SPEC             |                      | ON TAPING EMBOSS            |           |              |
| 0 PLC ± 0.25                           |  | APPLICATION SPEC         |                      | FH 0.5 BTB CONNECTOR 220POS |           |              |
| 1 PLC ± 0.15                           |  |                          |                      | PLUG 5H WITH GROUND PLATE   |           |              |
| 2 PLC ± 0.10                           |  |                          |                      | SIZE                        | CAGE CODE | DRAWING NO   |
| 3 PLC ± 0.05                           |  |                          |                      | A3                          | 00779     | C=1827253    |
| 4 PLC ± 0.0250                         |  |                          |                      | RESTRICTED TO               |           |              |
| ANGLES ± 3'                            |  |                          |                      | -                           |           |              |
| MATERIAL                               |  | FINISH                   |                      | WEIGHT                      |           | SCALE 1:2    |
|  |  |                          |                      | CUSTOMER DRAWING            |           | SHEET 2 of 5 |
|  |  |                          |                      |                             |           | REV D3       |

| REVISIONS |     |             |      |     |      |
|-----------|-----|-------------|------|-----|------|
| P         | LTR | DESCRIPTION | DATE | DWN | APVD |
| -         | -   | SEE SHEET 1 | -    | -   | -    |

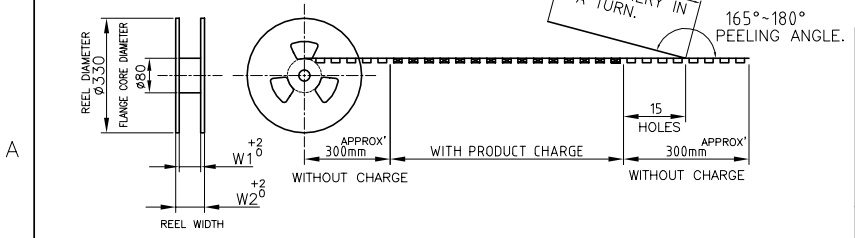


TOP OF REEL → SEE DETAIL B

**WITH CAP**

|        |        |          |      |      |              |     |               |
|--------|--------|----------|------|------|--------------|-----|---------------|
| △      | BLACK  | NO       | 93.5 | 89.5 | 700          | 220 | 9-1827253-9   |
| △      | NATURE | NO       | 93.5 | 89.5 | 700          | 220 | 9-1827253-8   |
| △      | NATURE | NO       | 93.5 | 89.5 | 700          | 220 | 4-1827253-8   |
| FINISH | CAP    | SEALANT  | W2   | W1   | QTY/<br>REEL | POS | TAPING<br>P/N |
|        | COLOR  | SIF-200B |      |      |              |     |               |

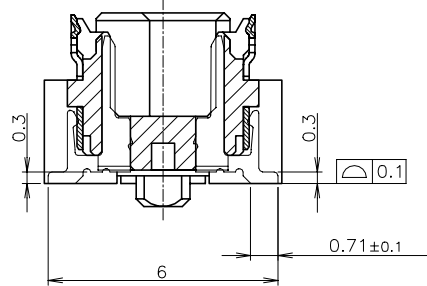
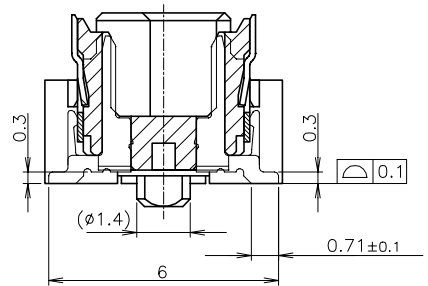
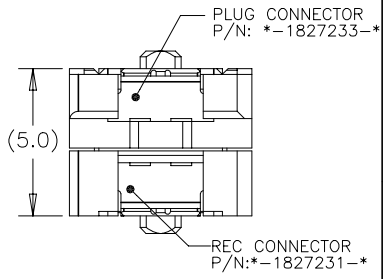
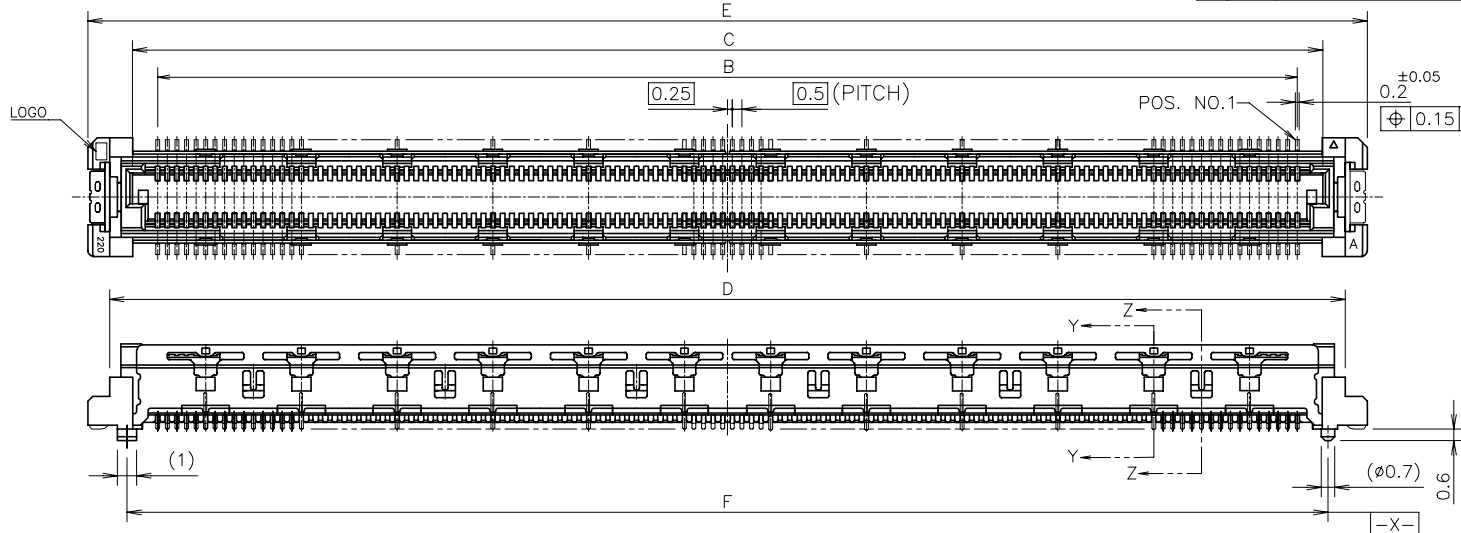
WEEDING THE COVER TAPE AROUND THE OUTER PERIPHERY IN A TURN. 165°-180° PEELING ANGLE.



THIS DRAWING IS A CONTROLLED DOCUMENT.

|                  |  |                          |  |
|------------------|--|--------------------------|--|
| DIMENSIONS: MM   | TOLERANCES UNLESS OTHERWISE SPECIFIED: | DWN S. CHIEN 18MAY05     | <b>TE</b> TE Connectivity Ltd.   |
| 0 PLC ± 0.25     | 1 PLC ± 0.15                           | CHK T. FUTATSUGI 18MAY05 |  |
| 2 PLC ± 0.10     | 3 PLC ± 0.05                           | APVD W. KODAMA 18MAY05   | NAME   |
| 4 PLC ± 0.0250   | ANGLES ± 3'                            | APPLICATION SPEC         | ON TAPING EMBOSS<br>FH 0.5 BTB CONNECTOR 220POS<br>PLUG 5H WITH GROUND PLATE |
| MATERIAL         | FINISH                                 | WEIGHT                   | SIZE CAGE CODE DRAWING NO RESTRICTED TO                                      |
|                  |  |                          | A3 00779 C=1827253 -   |
| CUSTOMER DRAWING |  | SCALE 1:2                | SHEET 3 of 5 REV D3  |

| REVISIONS |     |             |      |      |
|-----------|-----|-------------|------|------|
| P         | LTR | DESCRIPTION | DATE | APVD |
| -         | -   | SEE SHEET 1 | -    | -    |

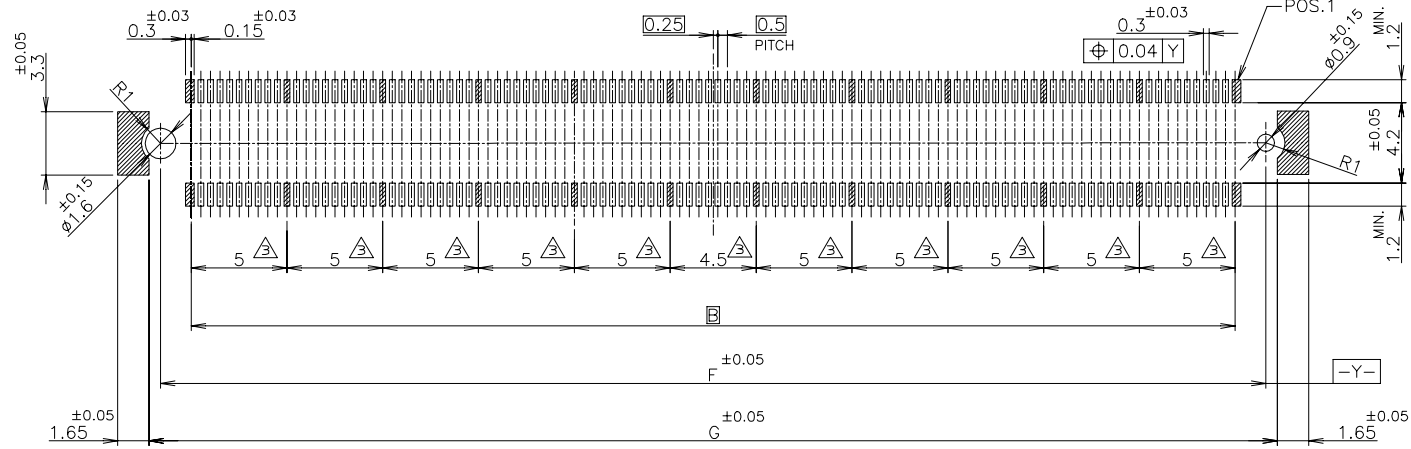


|      |      |      |      |      |             |      |             |
|------|------|------|------|------|-------------|------|-------------|
| 57.7 | 61.8 | 59.5 | 57.1 | 54.5 | BLACK       | 220  | 9-1827253-9 |
| 57.7 | 61.8 | 59.5 | 57.1 | 54.5 | BLACK       | 220  | 9-1827253-8 |
| 57.7 | 61.8 | 59.5 | 57.1 | 54.5 | BLACK       | 220  | 9-1827253-7 |
| 57.7 | 61.8 | 59.5 | 57.1 | 54.5 | BLACK       | 220  | 9-1827253-6 |
| 57.7 | 61.8 | 59.5 | 57.1 | 54.5 | BLACK       | 220  | 4-1827253-8 |
| 57.7 | 61.8 | 59.5 | 57.1 | 54.5 | BLACK       | 220  | 4-1827253-6 |
| 57.7 | 61.8 | 59.5 | 57.1 | 54.5 | BLACK       | 220  | 3-1827253-6 |
| F    | E    | D    | C    | B    | CONN. COLOR | POS. | PART NO.    |

THIS DRAWING IS A CONTROLLED DOCUMENT.

|                   |  |                  |  |
|-------------------|--|------------------|--|
| DIMENSIONS:<br>MM | TOLERANCES UNLESS OTHERWISE SPECIFIED:<br>0. PLC ± 0.25<br>1. PLC ± 0.15<br>2. PLC ± 0.10<br>3. PLC ± 0.05<br>4. PLC ± 0.0250<br>ANGLES ± 3' | DWN              | TE Connectivity Ltd.                                     |
| MATERIAL          | FINISH   | CHK              |  |
|                   |  | APVD             |  |
|                   |  | NAME             |  |
|                   |  | PRODUCT SPEC     | ASSEMBLY   |
|                   |  | APPLICATION SPEC | FH 0.5 BTB CONNECTOR 220POS<br>PLUG 5H WITH GROUND PLATE |
|                   |  | WEIGHT           | SIZE CAGE CODE DRAWING NO RESTRICTED TO                  |
|                   |  | CUSTOMER DRAWING | A3 00779 C=1827253                                       |
|                   |  | SCALE            | 4:1 SHEET 4 of 5 REV D3                                  |

| REVISIONS |     |             |      |      |
|-----------|-----|-------------|------|------|
| P         | LTR | DESCRIPTION | DATE | APVD |
| -         |     | SEE SHEET 1 | -    | -    |



REFERENCE P.C.BOARD LAYOUT OF CONNECTOR

NOTES

- △ MATERIAL ; HOUSING: HIGH TEMP THERMO PLASTIC UL94V-0  
CONTACT: COPPER ALLOY  
SOLDER PEG : COPPER ALLOY
- △ FINISH ; SIGNAL CONTACT : UNDER PL. Ni 0.0013mm MIN ALL OVER  
CONTACT AREA 0.0002mm MIN Au PL.  
SOLDERING AREA 0.00005mm MIN Au PL.  
GROUND CONTACT : UNDER PL. Ni 0.0013mm MIN ALL OVER  
CONTACT AREA 0.0002mm MIN Au PL.  
SOLDERING AREA 0.00005mm MIN Au
- SOLDER PEG: TIN PL. 0.0001mm MIN OVER  
UNDER PL. Ni OR COPPER 0.0013mm MIN ALL OVER
- △ THIS POSITION IS GROUND CIRCUIT.
- △ HIGH TEMPERATURE VERSION.
- △ FINISH ; SIGNAL CONTACT : UNDER PL. Ni 0.0013mm MIN ALL OVER  
CONTACT AREA 0.00076mm MIN Au PL.  
SOLDERING AREA 0.00005mm MIN Au PL.  
GROUND CONTACT : UNDER PL. Ni 0.0013mm MIN ALL OVER  
CONTACT AREA 0.00076mm MIN Au PL.  
SOLDERING AREA 0.00005mm MIN Au
- SOLDER PEG: TIN PL. 0.0001mm MIN OVER  
UNDER PL. Ni OR COPPER 0.0013mm

|      |      |             |
|------|------|-------------|
| 59.5 | 220  | 9-1827253-9 |
| 59.5 | 220  | 9-1827253-8 |
| 59.5 | 220  | 9-1827253-7 |
| 59.5 | 220  | 9-1827253-6 |
| 59.5 | 220  | 4-1827253-8 |
| 59.5 | 220  | 4-1827253-6 |
| 59.5 | 220  | 3-1827253-6 |
| G    | POS. | PART NO.    |

|   |  |                  |  |               |
|---|--|------------------|--|---------------|
| THIS DRAWING IS A CONTROLLED DOCUMENT.  |  | DWN              | TE Connectivity Ltd.                                     |               |
| DIMENSIONS: MM  |  | CHK              |  |               |
| TOLERANCES UNLESS OTHERWISE SPECIFIED:  |  | APVD             | NAME   |               |
| 0 PLC ± 0.25<br>1 PLC ± 0.15<br>2 PLC ± 0.10<br>3 PLC ± 0.05<br>4 PLC ± 0.0250<br>ANGLES ± 3° |  | PRODUCT SPEC     | ASSEMBLY   |               |
| MATERIAL  |  | APPLICATION SPEC | FH 0.5 BTB CONNECTOR 220POS<br>PLUG 5H WITH GROUND PLATE |               |
| FINISH  |  | WEIGHT           | SIZE   | RESTRICTED TO |
|   |  | CUSTOMER DRAWING | A3 00779   | DRAWING NO    |
|   |  | SCALE            | C=1827253  | REV           |
|   |  | 4:1              | SHEET  | D3            |
|   |  |                  | 5 of 5   |               |