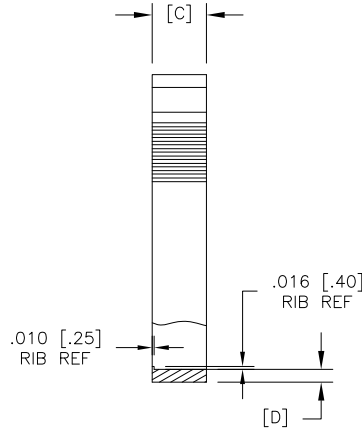


FULL SCALE AS MOLDED



REDUCED
NO SCALE

SNP2410	ACETAL WHITE	22	IN MM	.991 25.17	1.115 28.32	.290 7.37	.068 1.73	1.520 38.61	1.024 26.01
CATALOG NUMBER	MATERIAL	NUMBER OF TEETH	DIM TOL	*[A]	*[B]	[C]	[D]	[E]	[F]
				$\pm .020$	$\pm .020$	$\pm .020$	$\pm .020$		REF

NOTE:
* 1. INSIDE DIAMETERS [A] & [B] ARE MEASURED IN THREE PLACES SPACED 120° APART EXCLUDING .010 WIDE RIB

NOTES

REVISIONS
level 02
date 03/21/13
by AAC
ECN # 012320
part level -

DIMENSIONS
.XXXX=
.XXX= NOTED
.XX= NOTED
.X=
∠=
unless otherwise specified
units inches/[mm]

PART
number SEE CHART
name SNAPPER 24 HOSE CLAMP
material SEE CHART

DRAWING
FORMAT C version P
computer file number CP\CST\2024002_02
previous number
date 04/02/06
by AAC
date 03/21/13
approved
type CUSTOMER
number CP2024002CST
scale 2X
sheet 1 of 1

INVENTORS
HellermannTyton.
ALL PROPRIETARY RIGHTS IN THE SUBJECT MATTER SHOWN ON THIS DRAWING ARE EXCLUSIVE PROPERTY OF HELLERMANNTYTON

name	date	city, state