

4

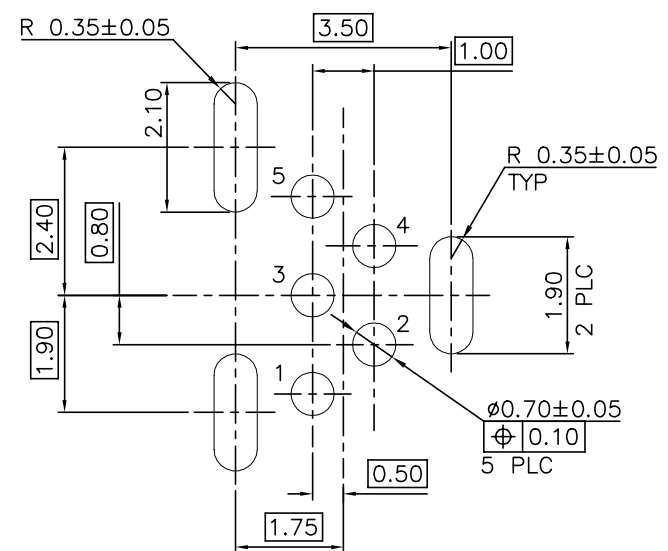
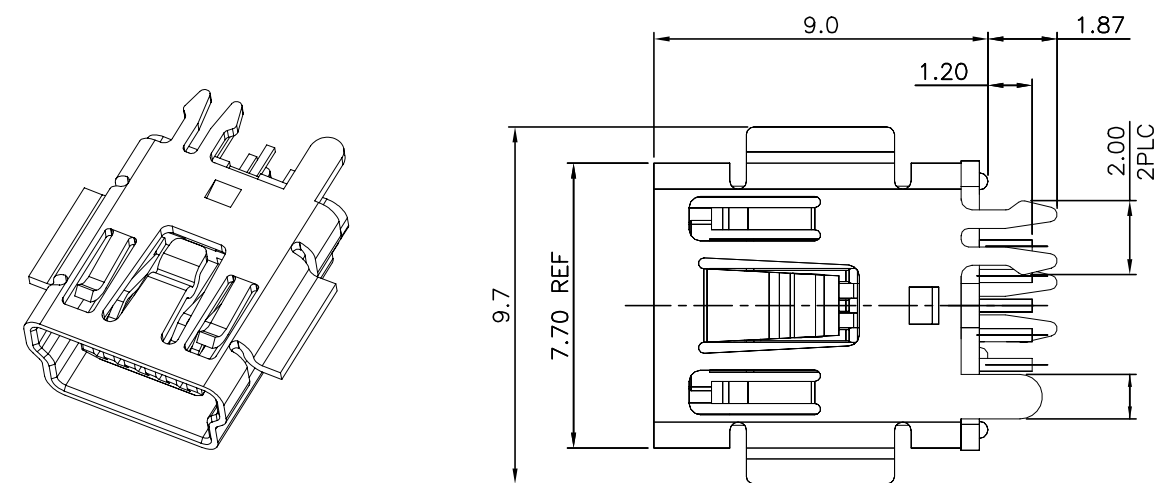
3

2

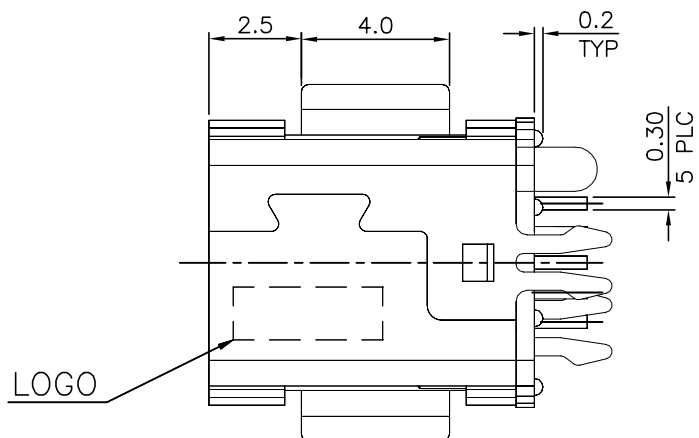
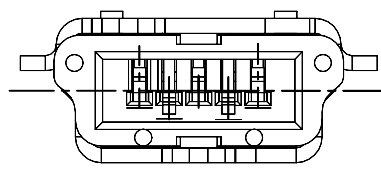
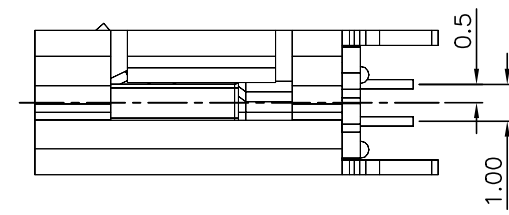
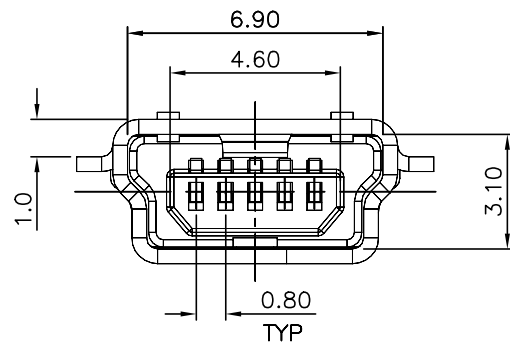
1

THIS DRAWING IS UNPUBLISHED. RELEASED FOR PUBLICATION
 © COPYRIGHT 2011 BY TYCO ELECTRONICS CORPORATION. ALL RIGHTS RESERVED.

LOC	DIST	REVISIONS			
P	LTR	DESCRIPTION	DATE	DWN	APVD
DW	/	C	REVISED AS PER ECN-22-176158	23JUL2022	HS SZ



RECOMMENDED PCB LAYOUT (TOP VIEW)
 (DIMENSION TOLERANCE: 1 PLC: ±0.1 2PLC: ±0.05)



- NOTE:
- MATERIAL:**
 HOUSING: THERMOPLASTIC, UL 94V-0, COLOR: BLACK.
 CONTACT: PHOSPHOR BRONZE, THICKNESS=0.25mm.
 SHELL: PHOSPHOR BRONZE, THICKNESS=0.40mm.
 - FINISH:**
 CONTACT: GOLD FLASH OVER
 30u" MIN. PALLADIUM-NICKEL PLATED OR ALTERNATIVE [30u"] MIN.
 GOLD PLATED ON CONTACT AREA,
 100u" MIN. MATTE-TIN ON SOLDER TAILS,
 50u" MIN. NICKEL UNDERPLATED ALL OVER.
 SHELL: 100u" MIN. BRIGHT TIN OVER 50u" MIN. Cu UNDERPLATED.
 - RECOMMENDED PCB THICKNESS : 0.8mm.**
 - NET WEIGHT : 0.798 gram.**
 - RoHS 2002/95/EC COMPLIANT**
 - WAVE SOLDER CAPABLE TO 240°C PER TE SPEC 109-202, CONDITION A.**

1775060-1
 PART NUMBER

THIS DRAWING IS A CONTROLLED DOCUMENT.		DWN	O. HU	11MAR2005	TE Connectivity NAME MINI USB CONN., RCPT, V/T, DIP, B TYPE
DIMENSIONS: mm		CHK	S. HOU	11MAR2005	
		APVD	W.J. KE	11MAR2005	
TOLERANCES UNLESS OTHERWISE SPECIFIED:		PRODUCT SPEC		108-57509	
0 PLC ± 0.50 1 PLC ± 0.38 2 PLC ± 0.25 3 PLC ± 0.10 4 PLC ± - ANGLES ± 3°		APPLICATION SPEC			
MATERIAL SEE NOTE		FINISH SEE NOTE		WEIGHT -	SIZE A3 CAGE CODE 00779 DRAWING NO. 1775060 RESTRICTED TO
CUSTOMER DRAWING				SCALE	SHEET 1 OF 2
				REV	C

4

3

2

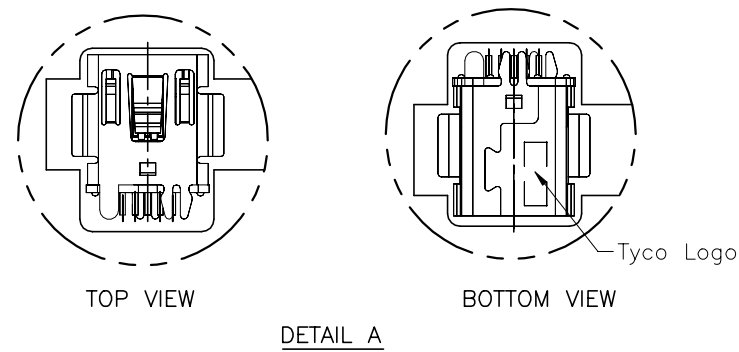
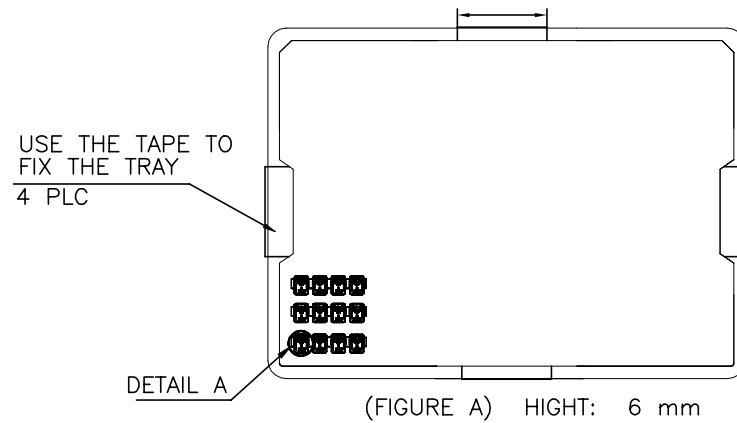
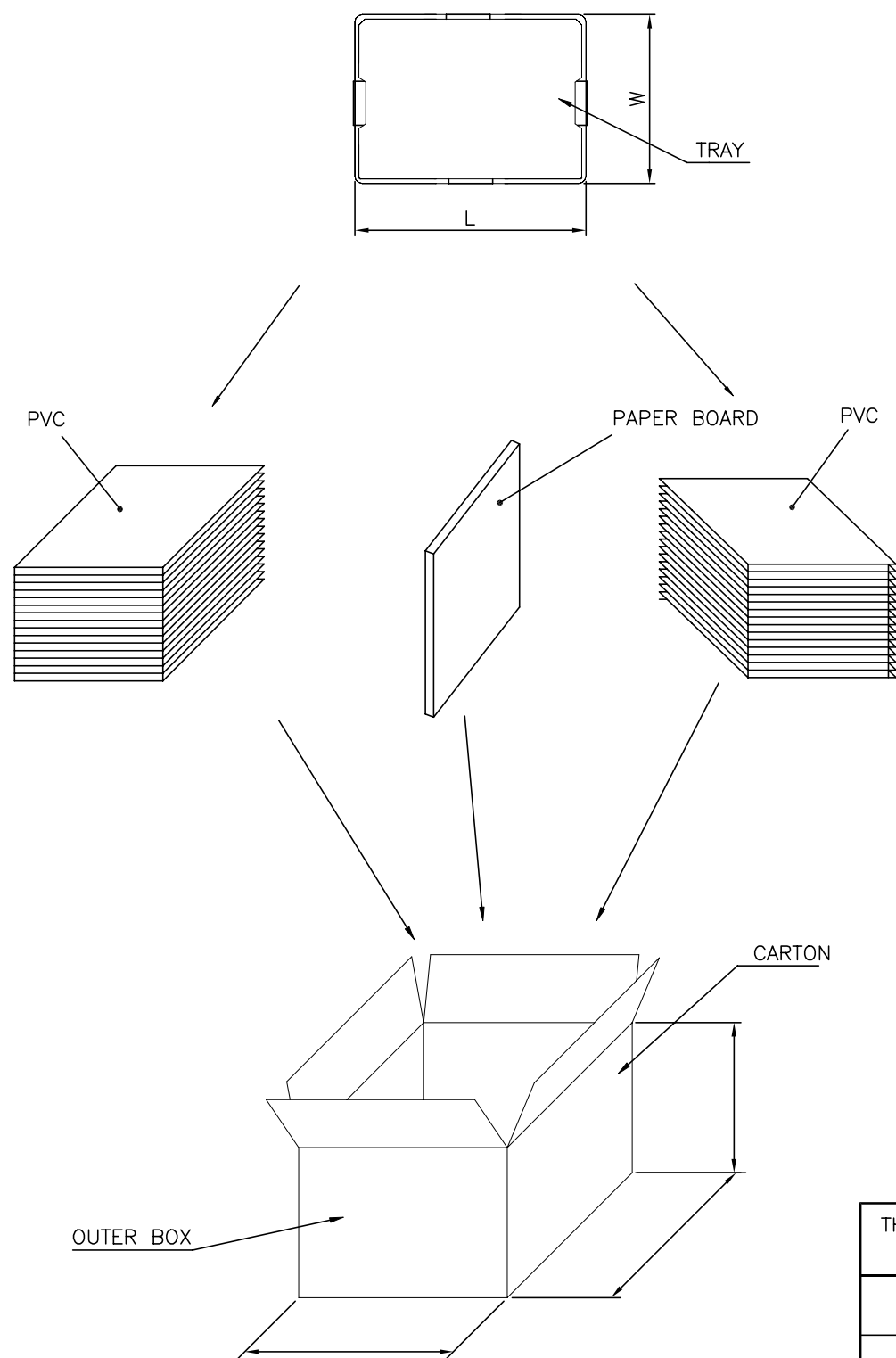
1

THIS DRAWING IS UNPUBLISHED.

RELEASED FOR PUBLICATION

© COPYRIGHT 2011 BY TYCO ELECTRONICS CORPORATION. ALL RIGHTS RESERVED.

LOC		DIST		REVISIONS				
P	LTR	DESCRIPTION			DATE	DWN	APVD	
		SEE SHEET 1.						



- NOTE:
- MATERIAL:
TRAY : PVC.
SHIPPING CARTON : CORRUGATED FIBERBOARD.
 - DIMENSION:
TRAY : L=230, W=160, H=6mm.
SHIPPING CARTON : L=340, W=245, H=230mm.
 - QUANTITY:
PRIMARY PACKING : 150 PCS/TRAY.
SECONDARY PACKING : 76 TRAY/CARTON(11,400PCS).
 - WEIGHT:
NET WEIGHT : 9.1kg.
GROSS WEIGHT : 12.6kg.

THIS DRAWING IS A CONTROLLED DOCUMENT.		DWN															
DIMENSIONS: mm		CHK															
TOLERANCES UNLESS OTHERWISE SPECIFIED:		APVD		NAME													
<table border="1"> <tr><td>0 PLC</td><td>± -</td></tr> <tr><td>1 PLC</td><td>± -</td></tr> <tr><td>2 PLC</td><td>± -</td></tr> <tr><td>3 PLC</td><td>± -</td></tr> <tr><td>4 PLC</td><td>± -</td></tr> <tr><td>ANGLES</td><td>± -</td></tr> </table>		0 PLC	± -	1 PLC	± -	2 PLC	± -	3 PLC	± -	4 PLC	± -	ANGLES	± -	PRODUCT SPEC		MINI USB CONN., RCPT, V/T, DIP, B TYPE	
0 PLC	± -																
1 PLC	± -																
2 PLC	± -																
3 PLC	± -																
4 PLC	± -																
ANGLES	± -																
MATERIAL		APPLICATION SPEC		SIZE													
FINISH		WEIGHT		CAGE CODE													
		CUSTOMER DRAWING		DRAWING NO													
				A3 00779 C=1775060													
				RESTRICTED TO													
				SCALE													
				SHEET 2 OF 2													
				REV C													