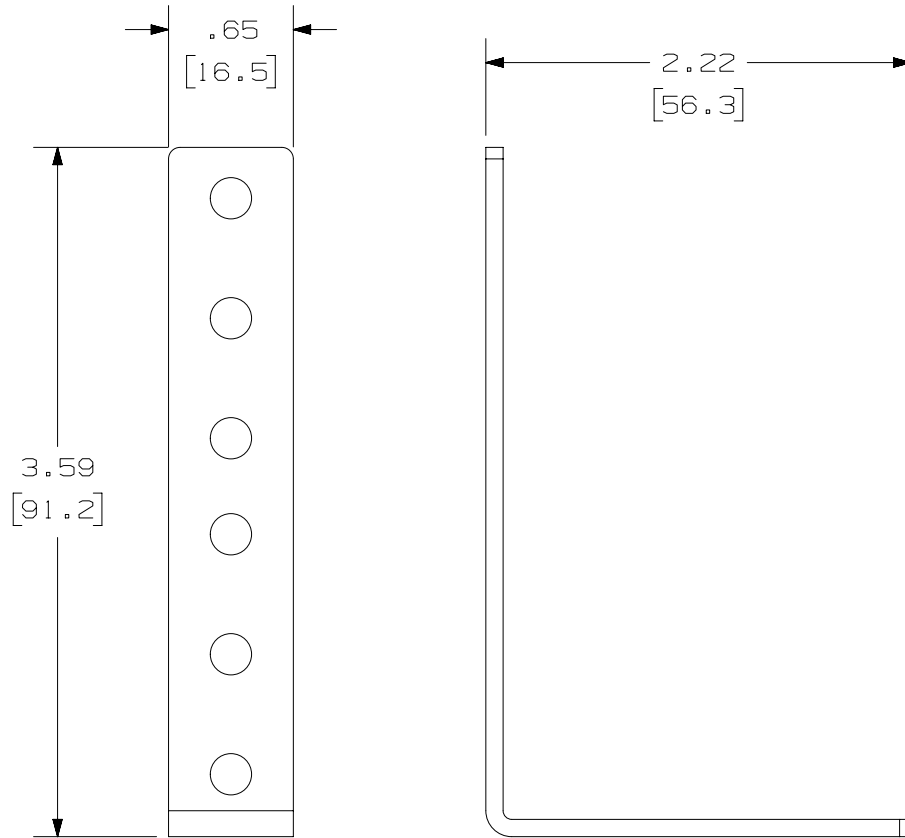


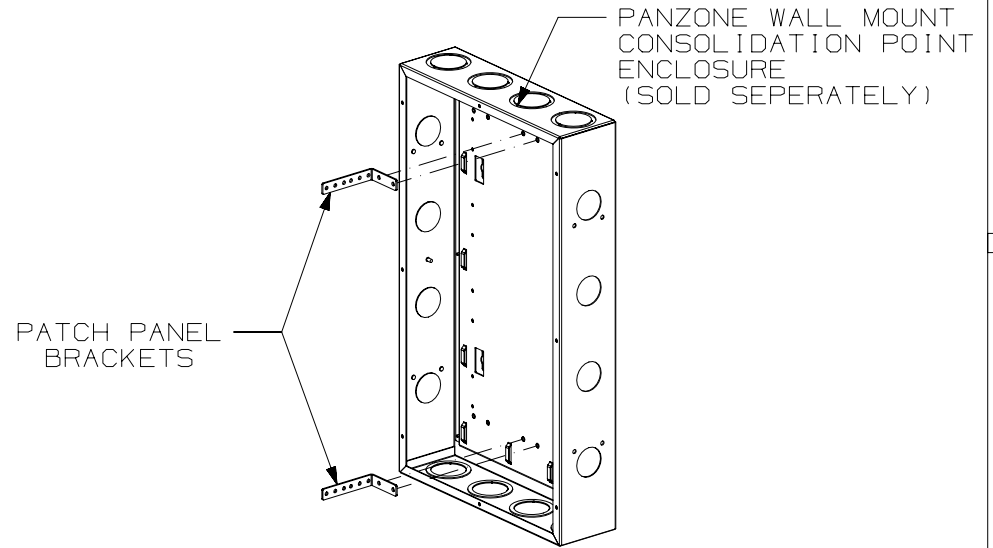
THIS COPY IS PROVIDED ON A RESTRICTED BASIS AND IS NOT TO BE USED IN ANY WAY DETRIMENTAL TO THE INTERESTS OF PANDUIT CORP.



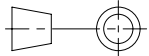
PANDUIT P/N	WEIGHT
PZBPPB	.32 LB/EACH PC (145.1 g/EACH PC)

NOTES:

- SEE CURRENT CATALOG FOR ADDITIONAL PART NUMBER SUFFIXES TO INDICATE COLOR AND OR PACKAGE QUANTITY.
- SEE CATALOG FOR COMPLETE LIST OF PARTS APPLICABLE FOR USE WITH THIS PART.
- DIMENSIONS IN PARENTHESES ARE IN METRIC.
- PART INCLUDES:
  - 1- SCREW KIT (INCLUDES FOUR #12-24 SCREWS)
  - 2- BRACKET



REV	DATE	BY	CHK	APR	DESCRIPTION	ECN
04B	6-18-15	TWV	BAME	KRKE	ADDED NEW INSTALL VIEW	01324-36
04A	6-23-14	BAME	FGR	TCO	UPDATED TITLE BLOCK	01324-36
R	1-17-03	JsP			RELEASED TO PRODUCTION	01324-36

TITLE <b>PATCH PANEL BRACKETS FOR PANZONE™ WALL MOUNT ENCLOSURE (PZBPPB)</b> CUSTOMER DRAWING			
ITEM REVISION NAME <b>M01324CF/04</b>		<b>PANDUIT</b>	
DATASET FILE NAME <b>M01324CF_DC/04B</b>			
UNLESS OTHERWISE SPECIFIED, DIMENSIONAL TOLERANCES ARE: IN ( mm )		MATERIAL: <b>CRS</b>	
.X ± .XX ± .XXX ± ANGLES ±  THIRD ANGLE PROJECTION		DRAWING NUMBER: <b>01324-36</b>	
DRAWN BY <b>JsP</b>	DATE <b>1-27-03</b>	CHK <b>NONE</b>	SCALE <b>SHT 1 OF 1</b>
		SIZE <b>A</b>	