

# CGA6P3X7R1H475K250AE

TDK item description : CGA6P3X7R1H475KT\*\*\*S



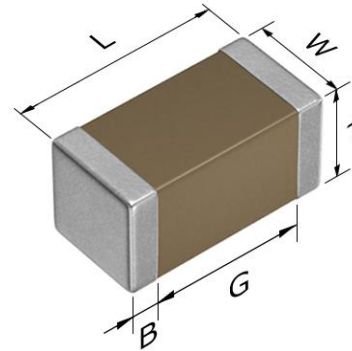
Equivalent C3225X7R1H475K for Automotive

## Application & Main Feature

Automotive grade (Soft termination)

## Series

CGA6(3225) [EIA 1210]



## Dimensions

L	3.20±0.50,-0.40 mm
W	2.50±0.30 mm
T	2.50±0.30 mm
B	0.20 mm min.
G	---

## Temperature Characteristic

X7R (-55 to +125 degC, ±15%)

## Rated Voltage

1H (50Vdc)

## Capacitance

4.7µF

## Capacitance Tolerance

K (±10%)

## DF

5 % max.

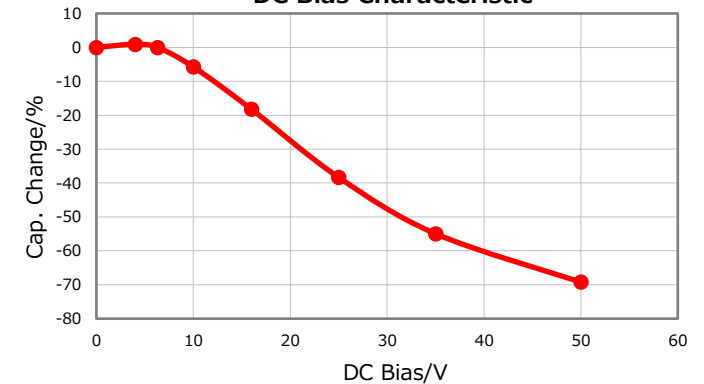
## Insulation Resistance

106 Mohm min.

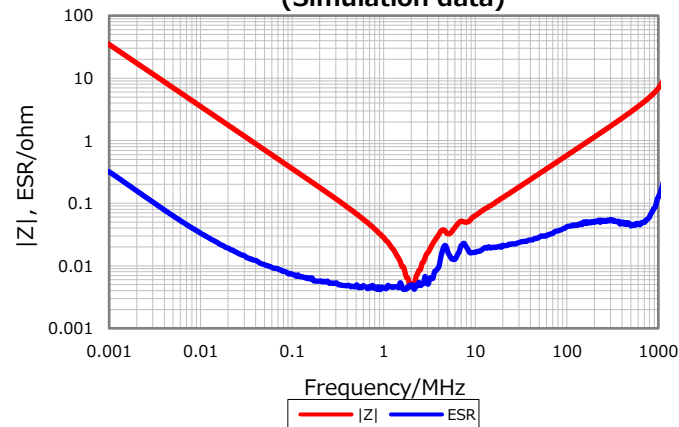
## AEC-Q200

Yes

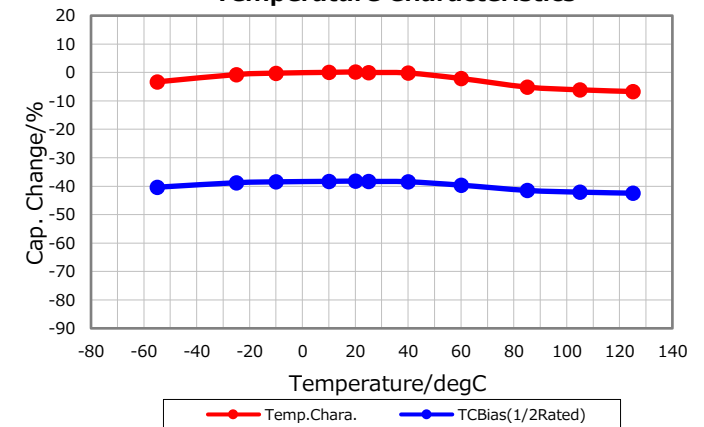
## DC Bias Characteristic



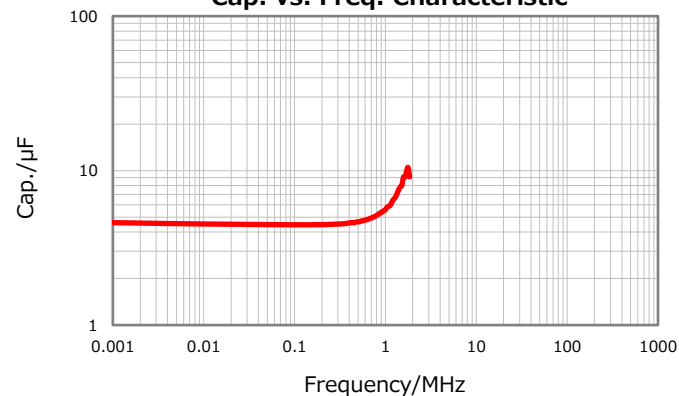
## |Z|, ESR vs. Freq. Characteristics (Simulation data)



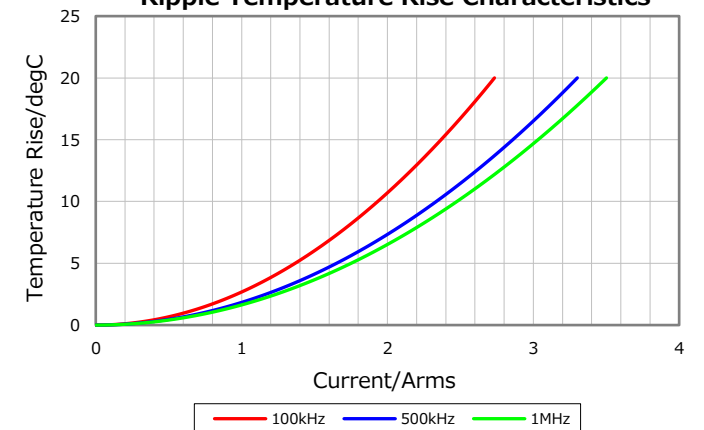
## Temperature Characteristics



## Cap. vs. Freq. Characteristic



## Ripple Temperature Rise Characteristics



Characterization Sheet ( Multilayer Ceramic Chip Capacitors )



All specifications are subject to change without notice.

June 28, 2022