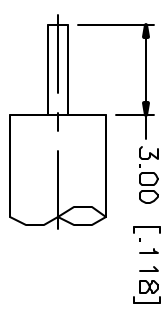
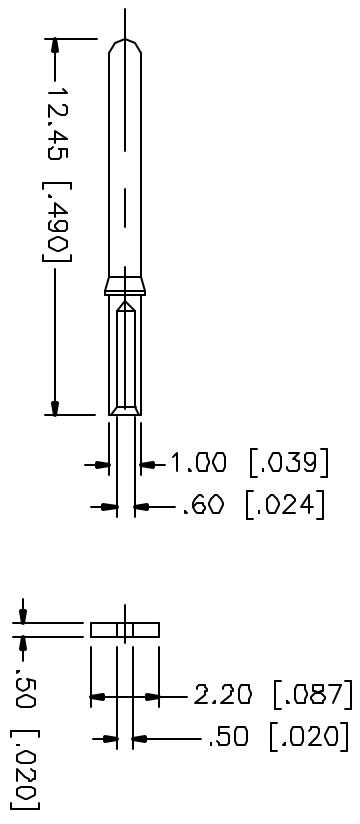
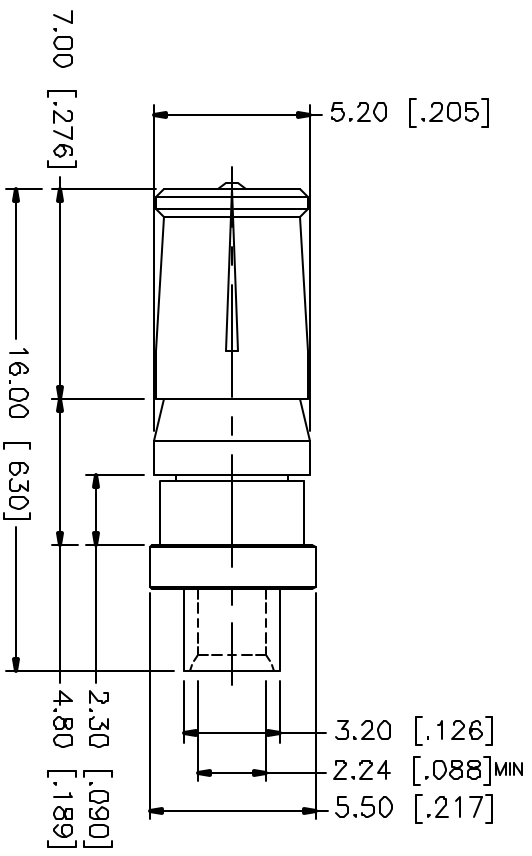


REV.	DATE	DESCRIPTION
NC	08/16/01	INITIAL RELEASE



RECOMMENDED
CABLE STRIPPING DIM'S



DESCRIPTION	MATERIAL	FINISH	UNLESS OTHERWISE SPECIFIED, DIMENSIONS ARE IN MILLIMETERS	APPROVALS	DATE	<p>D-SUB SEMI-RIGID JACK (RG .085", .086" SEMI RIGID CABLE)</p>
1 BODY	BRASS	GOLD	DIMENSIONS IN [] ARE IN INCHES	DRAWN	08/16/01	
2 INSULATOR	TEFLON	NATURAL	FOR CUSTOMER REFERENCE ONLY	REVISED		
3 CONTACT PIN	PHOS. BRONZE	GOLD	UNLESS OTHERWISE SPECIFIED, TOLERANCES FOR MILLIMETERS ARE	ESD/C		
4			0.5-6 = ± 0.2			
5			6-30 = ± 0.4			
6			30-120 = ± 0.6			
7			120-315 = ± 1			
8			315-1000 = ± 1.6			
			1000-2000 = ± 2.4			
			DO NOT SCALE DRAWING			TITLE SIZE A FSCN NO 99001 DWG. NO 212109 SCALE NA PART NO. 212109 SHEET 1 OF 1 REV NC