



MAX9507 Evaluation Kit/Evaluation System

General Description

The MAX9507 evaluation kit (EV kit) is a fully assembled and tested surface-mount printed-circuit board (PCB) that evaluates the MAX9507 DirectDrive™ video filter amplifier. The MAX9507 amplifies standard-definition video signals and sets the video black level near ground while consuming minimal power. The EV kit operates from a 1.7V to 2.625V single power supply and accepts an input video signal of up to 1V_{p-p}. The EV kit includes an I²C/SMBus™-compatible interface, which provides software control of the video filter, analog switches, load detection, and other functions.

The MAX9507 evaluation system (EV system) consists of the MAX9507 EV kit and the Maxim CMAXQUSB+ command module. A Windows® 98/2000/XP-compatible software program is also available for use with the EV system and can be downloaded from Maxim's website (www.maxim-ic.com/evkitsoftware).

The Maxim CMAXQUSB+ command module provides the I²C/SMBus interface and is connected to the computer through the universal serial bus (USB) port. The MAX9507 EV kit software provides a graphical user interface (GUI) for exercising the MAX9507 features.

Windows is a registered trademark of Microsoft Corp.

SMBus is a trademark of Intel Corp.

DESIGNATION	QTY	DESCRIPTION
C1	1	10μF ±20%, 6.3V X5R ceramic capacitor (0805) TDK C2012X5R0J106M Taiyo Yuden JMK212BJ106MG
C2, C5	2	0.1μF ±10%, 16V X7R ceramic capacitors (0603) Murata GRM188R71C104K TDK C1608X7R1C104K
C3, C4	2	1μF ±10%, 10V X7R ceramic capacitors (0603) Murata GRM188R61A105K TDK C1608X7R1A105K
J1	1	2 x 10 right-angle receptacle
JU1	1	5-pin header
JU2	1	3-pin header
R1	1	100Ω ±1% resistor (0603)

Features

- ◆ Single 1.7V to 2.625V Power-Supply Operation
- ◆ Video Load Detection
- ◆ DC-Coupled Input with Option for AC-Coupling
- ◆ DC-Coupled Output
- ◆ Video Output Black Level Set Near Ground
- ◆ Selectable Reconstruction Filter with ±1dB Passband to 7.3MHz and 48dB Attenuation at 27MHz
- ◆ Internal Fixed Gain of 8V/V
- ◆ Dual SPST Analog Switches
- ◆ I²C/SMBus-Compatible Interface
- ◆ Fully Assembled and Tested

Ordering Information

PART	TEMP RANGE	IC PACKAGE	COMMAND MODULE
MAX9507EVKIT+	0°C to +70°C*	16 TQFN (3mm x 3mm)	Not included
MAX9507EVCMAXQU+	0°C to +70°C*	16 TQFN (3mm x 3mm)	CMAXQUSB+

+Denotes lead-free and RoHS-compliant.

*This limited temperature range applies to the EV kit PCB only. The MAX9507 IC temperature range is -40°C to +125°C.

Note: The Maxim CMAXQUSB+ command module is required when using the MAX9507 EV kit software.

Component List

DESIGNATION	QTY	DESCRIPTION
R2	1	226Ω ±1% resistor (0603)
R3, R5	2	75Ω ±1% resistors (0603)
R4	1	0Ω resistor (0603)
R6	1	15kΩ ±5% resistor (0603)
R7–R12	0	Not installed, resistors (0603)
U1	1	MAX9507ATE+ (16-pin TQFN, 3mm x 3mm) (Top Mark: AFH)
C1P, VSS	0	Not installed, test points
COM1, COM2, NO1, NO2	4	BNC 50Ω PCB vertical-mount connectors
VIDIN, VIDOUT	2	BNC 75Ω PCB vertical-mount connectors
—	2	Shunts
—	1	PCB: MAX9507 Evaluation Kit+



MAX9507 Evaluation Kit/Evaluation System

Component Suppliers

SUPPLIER	PHONE	WEBSITE
Murata Mfg. Co., Ltd.	770-436-1300	www.murata.com
Taiyo Yuden	408-573-4150	www.t-yuden.com
TDK Corp.	847-803-6100	www.component.tdk.com

Note: Indicate that you are using the MAX9507 when contacting these component suppliers.

Recommended Equipment

- 1.7V to 2.625V, 500mA DC power supply (VDD)
- Video signal generator
- Video measurement equipment (e.g., Tektronix VM-700T)
- EV system
 - MAX9507 EV kit
 - Maxim CMAXQUSB+ board
 - USB cable (included with CMAXQUSB+)
- A user-supplied Windows 98/2000/XP PC with a spare USB port

Note: In the following sections, software-related items are identified by bolding. Text in **bold** refers to items directly from the EV kit software. Text in **bold and underlined** refers to items from the Windows 98/2000/XP operating system.

Quick Start

The MAX9507 EV kit is fully assembled and tested. Follow the steps below to verify board operation.

Caution: Do not turn on the power supply until all connections are completed.

- 1) Carefully connect the boards by aligning the 20-pin connector of the MAX9507 EV kit with the 20-pin header on the CMAXQUSB+ interface board. Gently press them together.
- 2) Connect the power-supply ground to the GND pad on the EV kit.
- 3) Connect the 1.7V to 2.625V supply to the VDD pad on the EV kit.
- 4) Connect the output of the video signal generator to the VIDIN BNC connector on the EV kit. The video signal must be biased such that the sync tip is at ground and sets the full-scale video signal to 0.25V_{P-P}.
- 5) Connect the VIDOUT BNC connector on the EV kit to the input of the video measurement equipment.

- 6) Set the video signal generator for the desired video input signal. This signal must contain sync information.
- 7) Verify that jumper JU1 on the CMAXQUSB+ board is set to 2.5V or 3.3V. Verify both switches of SW1 are ON.
- 8) Connect the USB cable from the computer's type-A USB port to the CMAXQUSB+ board's type-B USB port.
- 9) Download the MAX9507 EV kit software from www.maxim-ic.com/evkitsoftware and install it on your computer by running the INSTALL.EXE program. The program files are copied and icons are created in the Windows **Start** menu.
- 10) Turn on the power supply and enable the video signal generator.
- 11) Start the MAX9507 program by opening its icon in the **Start** menu.
- 12) Normal device operation is verified when **CMAXQUSB HW: Connected. MAX9507 device connected** is displayed at the bottom-left side of the MAX9507 EV kit window, as shown in Figure 1.

Detailed Description of Software

User-Interface Panel

In the program's main window (Figure 1), a mouse is used to toggle the checkboxes that control the various features of the MAX9507. The MAX9507 EV kit software permits the control of software-configurable features: switches, sync-tip clamp, filter, signal path, charge pump, load change flag enable, automatic signal path enable, and automatic charge pump enable. Changes to the controls result in write operations that update the configuration and video load detect registers of the MAX9507. All changes to the 8-bit command registers are reflected on screen under the **B7-B0** labels; the register contents are also read and displayed in hexadecimal format.

The EV kit software gives the user the option to automatically read both registers, or manually read each register individually by toggling the **Enable AutoPolling** checkbox. With AutoPolling disabled, the user must manually click the **Read** button located next to the hex register contents in order to send a read command. A memo box at the bottom of the program's main window displays descriptions of the various features provided. Place the pointer over the bit names for a functional description. The status bar at the bottom of the program's main window is used to verify command module and device connectivity.

MAX9507 Evaluation Kit/Evaluation System

Evaluate: MAX9507

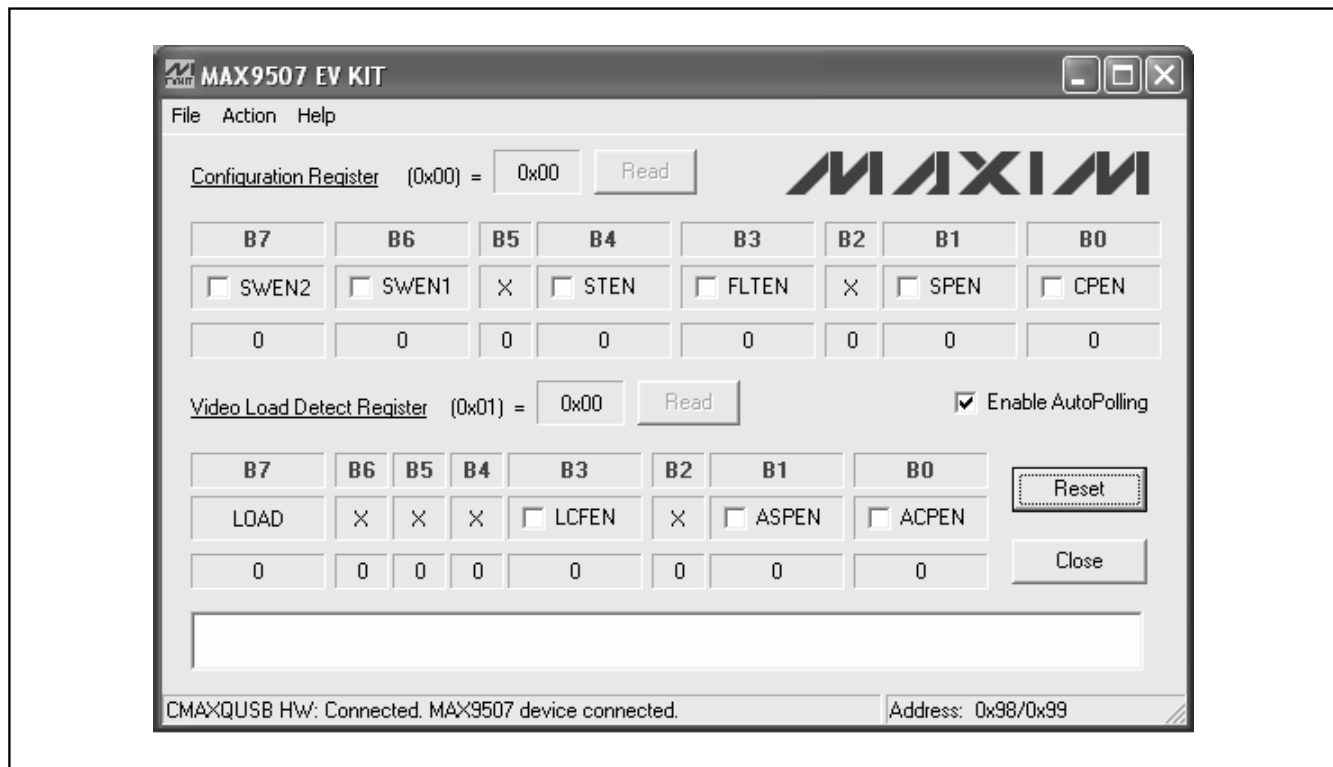


Figure 1. MAX9507 EV Kit Software Main Window

Switch Enables (SWEN2, SWEN1)

The dual single-pole/single-throw (SPST) analog switches on the MAX9507 can be enabled individually by checking the appropriate **SWEN_** checkbox. When checked, the appropriate command is written to the configuration register and the register contents are updated on the display. Refer to the MAX9507 IC data sheet for more details about the dual SPST analog switches.

Sync-Tip Clamp Enable (STEN)

The MAX9507's sync-tip clamp is enabled by checking the **STEN** checkbox. When **STEN** is checked, the appropriate command is written to the configuration register and the register contents are updated on the display. When **STEN** is cleared, the part expects a DC-coupled input. Refer to the MAX9507 IC data sheet for more details about the sync-tip clamp.

Filter Enable (FLTEN)

The MAX9507's video filter is enabled by checking the **FLTEN** checkbox. When **FLTEN** is checked, the appropriate command is written to the configuration register and the register contents are updated on the display. Refer to the MAX9507 IC data sheet for more details about the video filter.

Signal Path Enable (SPEN)

The MAX9507's signal path is enabled by checking the **SPEN** checkbox. The signal path includes the video amplifier, filter (if selected by **FLTEN**), input buffer, and sync-tip clamp (if selected by **STEN**). **Note:** The charge pump and regulator must be enabled for the amplifier to function correctly. When **SPEN** is checked, the appropriate command is written to the configuration register and the register contents are updated on the display. This bit overrides the **ASPEN** setting. Refer to the MAX9507 IC data sheet for more details about the signal path.

Charge Pump Enable (CPEN)

The MAX9507's charge pump is enabled by checking the **CPEN** checkbox. The charge pump and regulator must be enabled for the amplifier to function correctly. When **CPEN** is checked, the appropriate command is written to the configuration register and the register contents are updated on the display. This bit overrides the **ACPEN** setting. Refer to the MAX9507 IC data sheet for more details about the charge pump.

MAX9507 Evaluation Kit/Evaluation System

Load (Read Only)

The MAX9507's load bit is a read-only bit that displays the load status if load detection is enabled. When this bit reads 1, a load is detected. To enable automatic load detection, set **ASPEN** or **ACPEN** to 1. For more information about the load bit, refer to the *Video Load Detection Circuitry* section of the MAX9507 IC data sheet.

Load Change Flag Enable (LCFEN)

The MAX9507's load change flag is enabled by checking the **LCFEN** checkbox. When **LCFEN** is checked, the appropriate command is written to the video load detect register and the register contents are updated on the display. This bit does not affect the **LOAD** I²C bit. Refer to the MAX9507 IC data sheet for more details about the load change flag.

Automatic Signal Path Enable (ASPEN)

The MAX9507's automatic signal path control is enabled by checking the **ASPEN** checkbox. This bit enables the load detect circuitry and automatic control of the signal path based on load status. When **ASPEN** is checked, the appropriate command is written to the video load detect register and the register contents are updated on the display. Refer to the MAX9507 IC data sheet for more details about automatic signal path enable.

Automatic Charge Pump Enable (ACPEN)

The MAX9507's automatic charge pump control is enabled by checking the **ACPEN** checkbox. This bit enables the load detect circuitry and automatic control of the charge pump based on load status. When **ACPEN** is checked, the appropriate command is written to the video load detect register and the register contents are updated on the display. Refer to the MAX9507 IC data sheet for more details about automatic charge pump enable.

Simple I²C/SMBus Commands

There are two methods for communicating with the MAX9507: through the normal user-interface panel (Figure 1) or through the SMBus commands available by selecting the **Interface Diagnostic Window** item from the **Action** pulldown menu. The **Maxim Command Module Interface** window pops up and includes a **2-wire interface** tab that allows for execution of the **SMBusSendByte()** and **SMBusQuick()** commands.

The SMBus dialog boxes accept numeric data in binary, decimal, or hexadecimal. Hexadecimal numbers should be prefixed by \$ or 0x. Binary numbers must be exactly eight digits. See Figure 2 for an illustration of this tool.

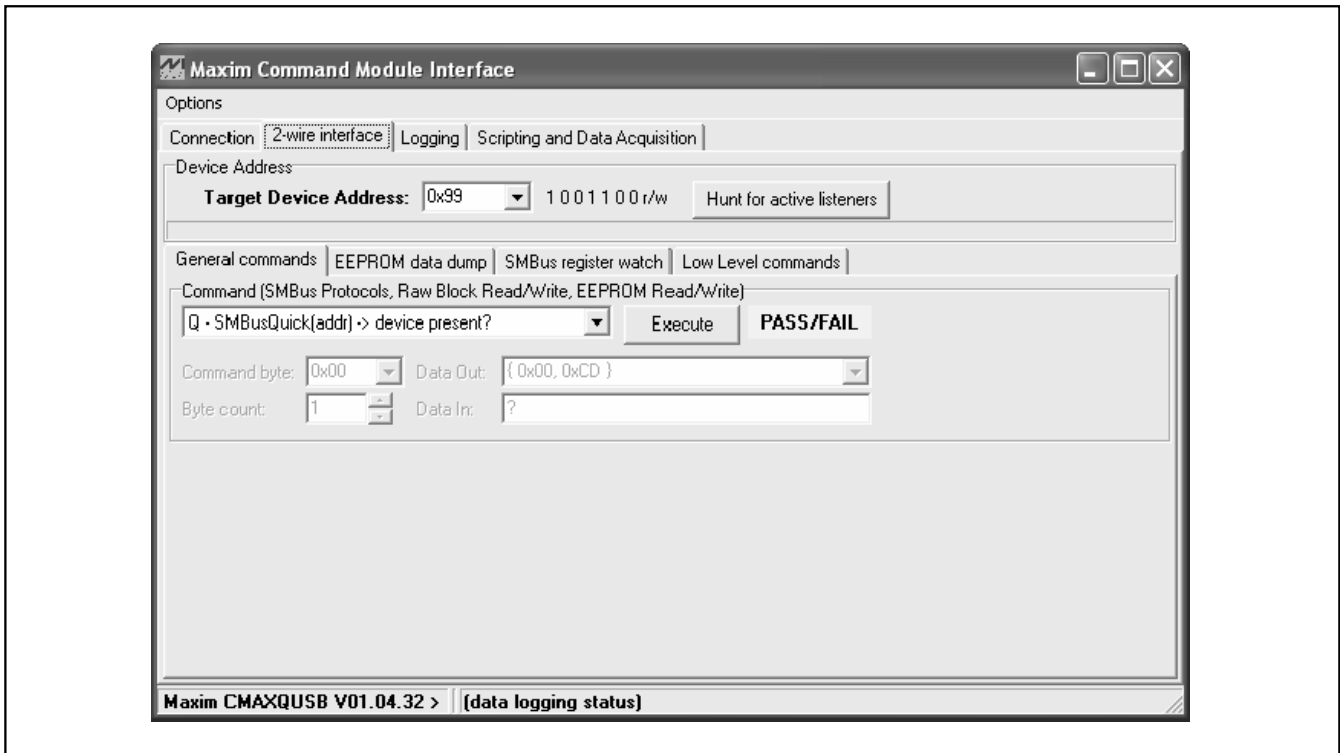


Figure 2. MAX9507 EV Kit Software Interface Diagnostic Window

MAX9507 Evaluation Kit/Evaluation System

Evaluate: MAX9507

Detailed Description of Hardware

The MAX9507 EV system (MAX9507EVCMAXQU+) consists of the MAX9507 EV kit (MAX9507EVKIT+) and the Maxim CMAXQUSB+ command module. The EV kit evaluates the MAX9507 DirectDrive video filter amplifier and the CMAXQUSB+ provides the I²C/SMBus-compatible interface for software control of the MAX9507's video filter, analog switches, load detection, and other functions.

The EV kit is powered by a 1.7V to 2.625V power supply and is driven by a video source. The EV kit can accept either a 250mV_{P-P} or 1V_{P-P} input full-scale video signal and allows the use of both AC-coupled and DC-coupled input signals. The output of the EV kit is DC-coupled and provides an output full-scale video signal that is nominally 2V_{P-P}.

The MAX9507 amplifies standard-definition video signals and sets the video black level near ground while consuming minimal power. The video output amplifier can detect whether a load is present and indicates a change in load status through the load change flag bit (LCF). In addition, the MAX9507 has dual SPST analog switches for routing additional audio, digital, or video signals.

I²C Slave Address Selection

The MAX9507 is programmable to one of four I²C slave addresses through jumper JU1 (Table 1). The address is defined as the 7 most significant bits (MSBs) followed by the read/write bit.

Table 1. Jumper JU1 Functions

SHUNT POSITION	DEV_ADD PIN	WRITE ADDRESS	READ ADDRESS
1-3*	Connected to GND	0x98	0x99
1-4	Connected to VDD	0x9A	0x9B
1-5	Connected to SCL	0x9C	0x9D
1-2	Connected to SDA	0x9E	0x9F

*Default position.

I²C Pullup Resistors

The MAX9507 EV kit assumes pullup resistors will be provided by the I²C master (e.g., the CMAXQUSB board) on the SDA and SCL lines. To add these resistors on the EV kit board instead, solder resistors to the R11 and R12 locations.

Video Input Selection

The MAX9507 EV kit can be configured to accept either a 250mV_{P-P} or 1V_{P-P} input full-scale signal at VIDIN through the shunt location of JU2 (Table 2). When the shunt is placed between pin 1 and pin 2, VIDIN sees a standard termination of $(R2 + R3) // (R1) = 75\Omega$ to GND and there is no attenuation. When the shunt is placed between pin 2 and pin 3, VIDIN again sees a standard termination of $(R2 + R3) // (R1) = 75\Omega$, but the signal is attenuated by $R3 / (R2 + R3) = 1/4$. Therefore, a 1V_{P-P} signal at VIDIN results in 250mV_{P-P} at IN.

Table 2. Jumper JU2 Functions

SHUNT POSITION	INPUT SIGNAL
1-2*	250mV _{P-P} signal
2-3	1V _{P-P} signal

*Default position.

Dual SPST Analog Switches

Additional audio, digital, video, or other signals can be routed using the MAX9507's SPST analog switches. The MAX9507 EV kit provides external connections to these switches through 50Ω BNC connectors. Termination resistors for the switches may be placed on the EV kit board by soldering resistors in the R7–R10 locations.

MAX9507 Evaluation Kit/Evaluation System

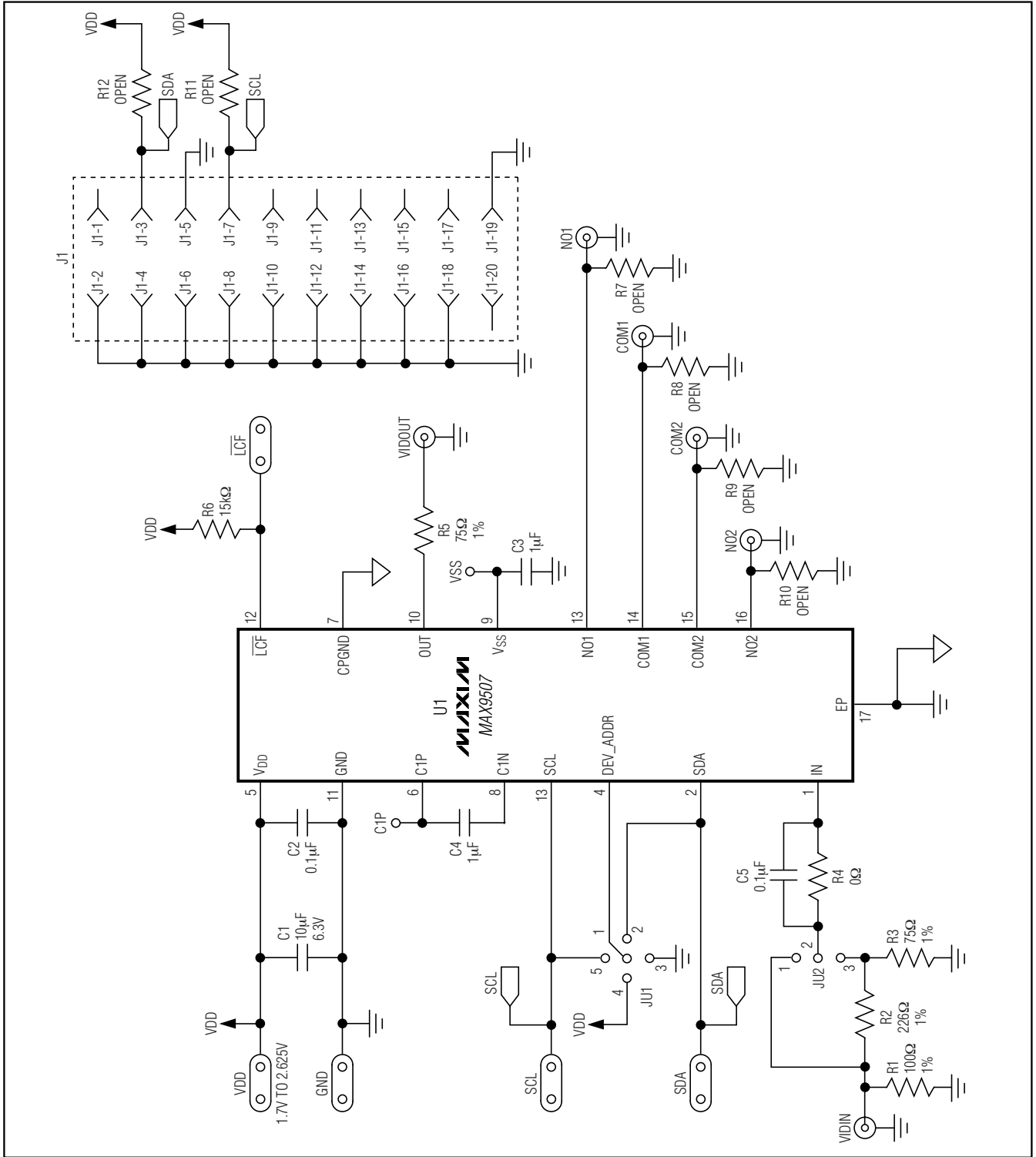


Figure 3. MAX9507 EV Kit Schematic

MAX9507 Evaluation Kit/Evaluation System

Evaluate: MAX9507

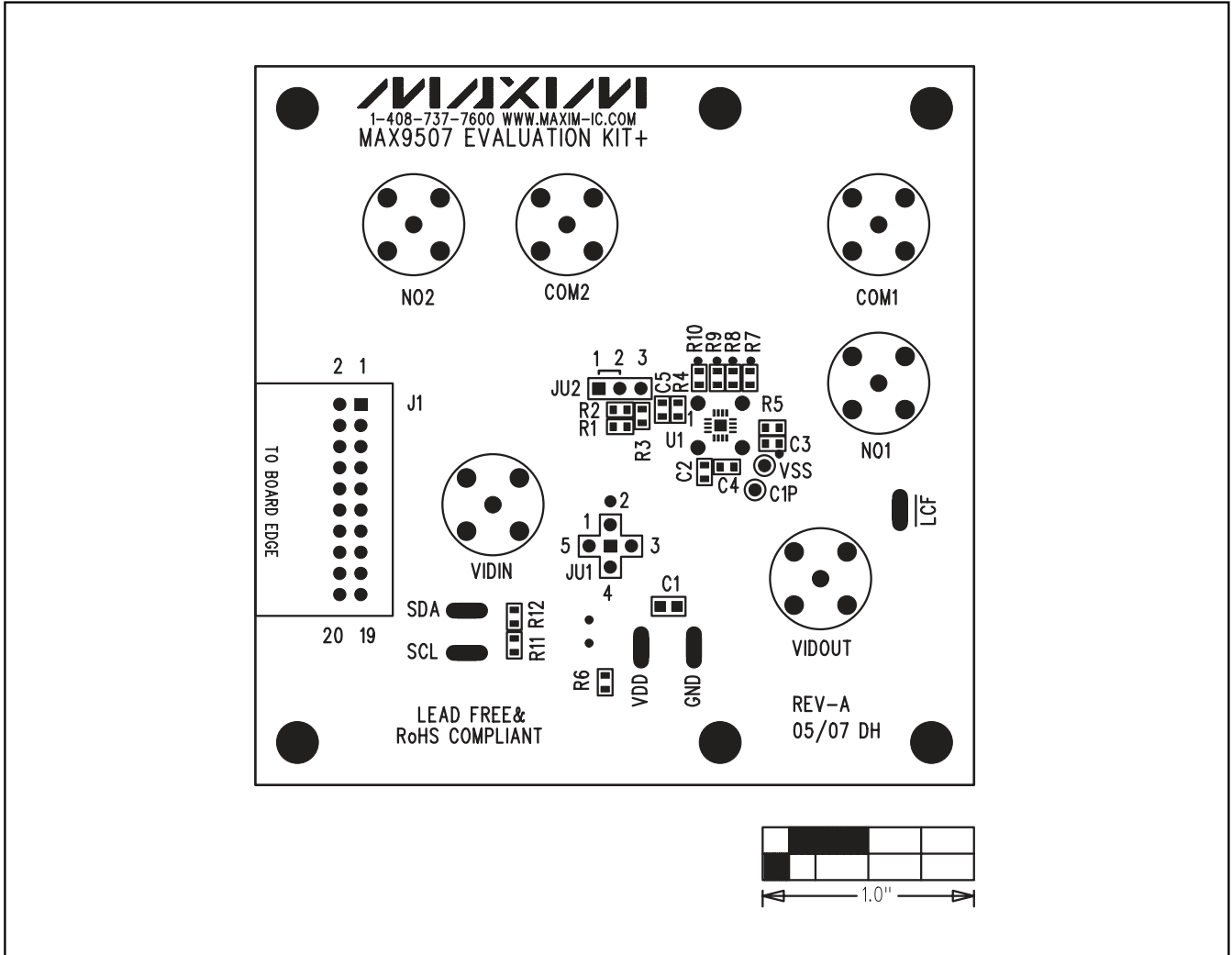


Figure 4. MAX9507 EV Kit Component Placement Guide—Component Side

MAX9507 Evaluation Kit/Evaluation System

Evaluate: MAX9507

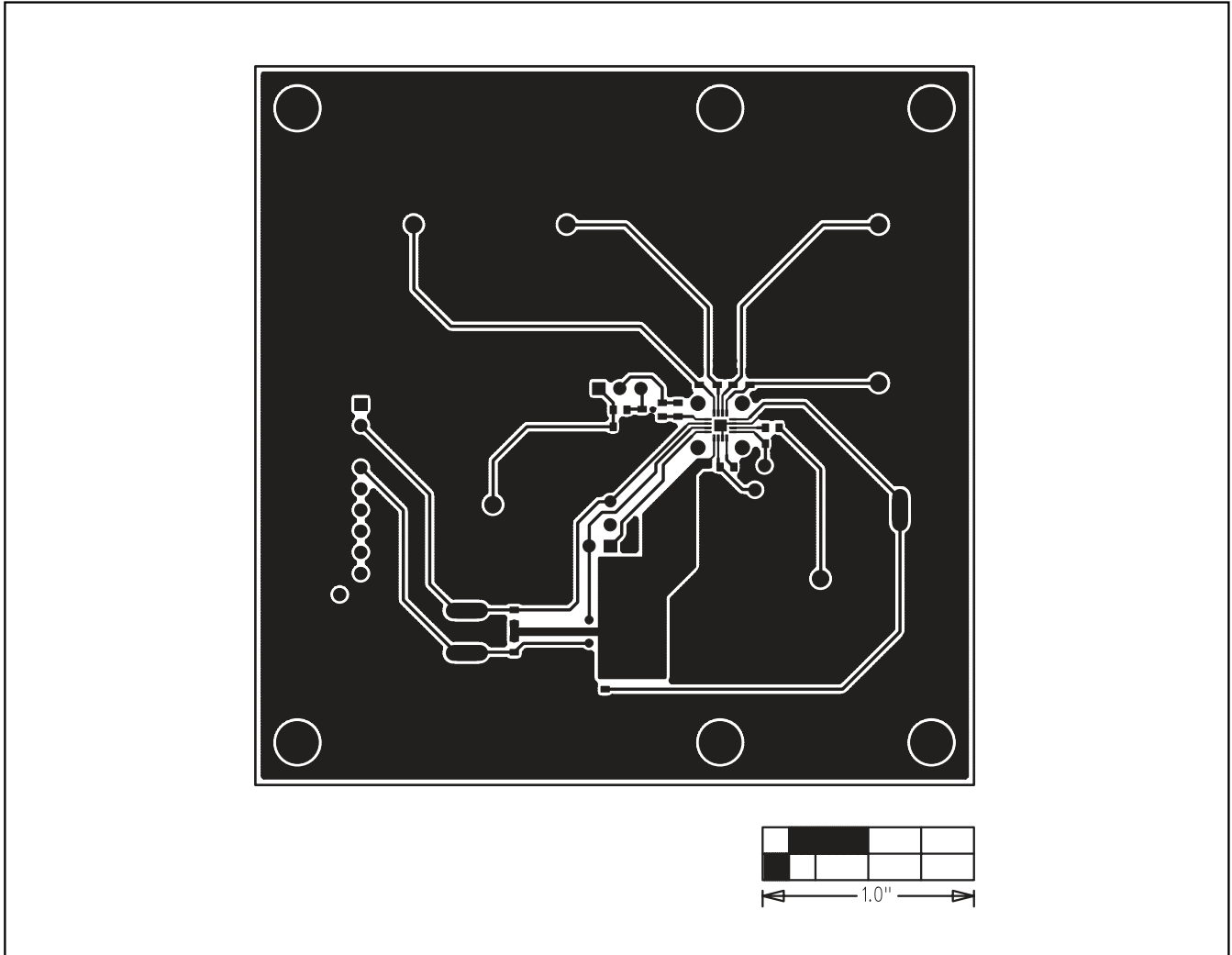


Figure 5. MAX9507 EV Kit PCB Layout—Component Side

MAX9507 Evaluation Kit/Evaluation System

Evaluate: MAX9507

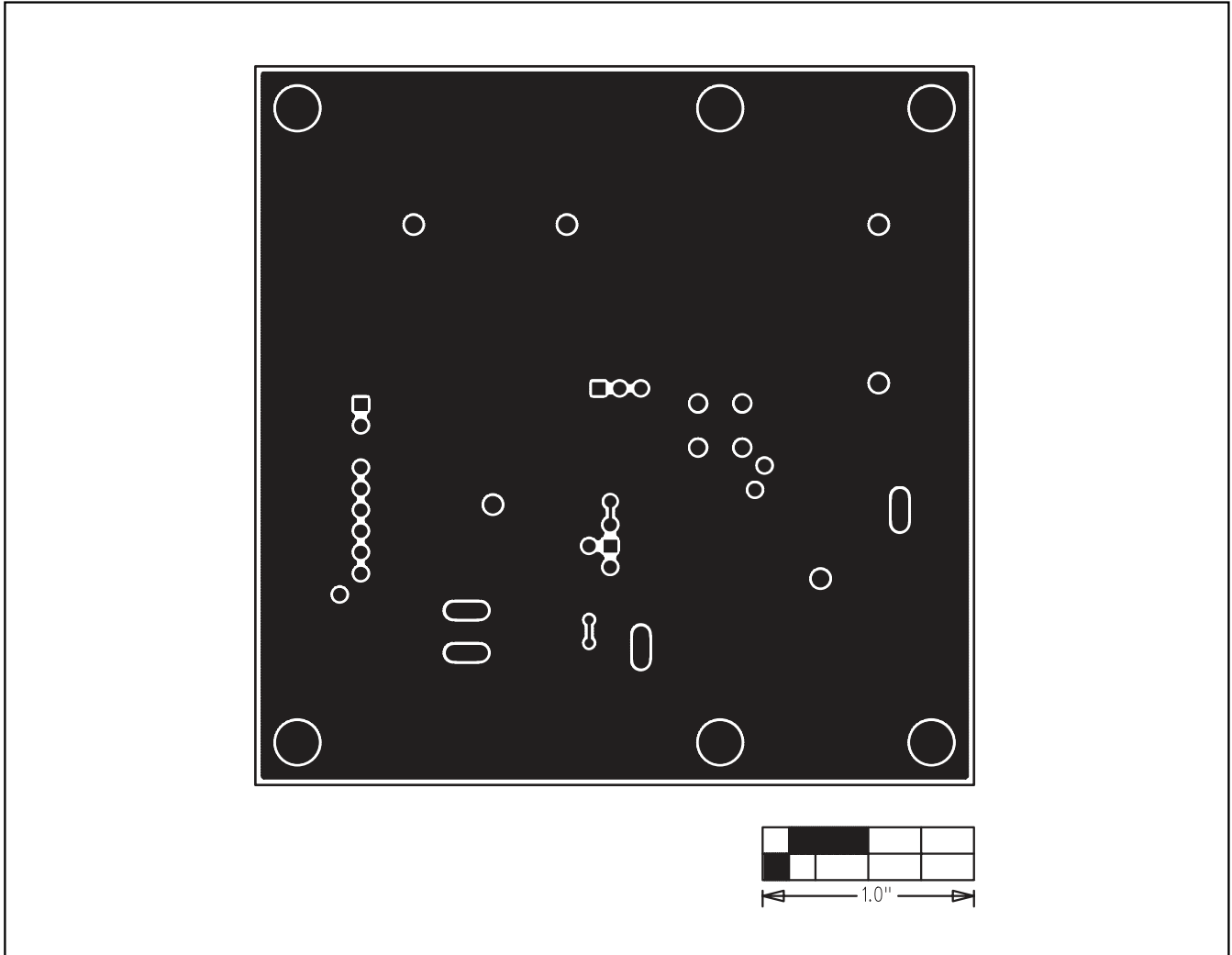


Figure 6. MAX9507 EV Kit PCB Layout—Solder Side

Maxim cannot assume responsibility for use of any circuitry other than circuitry entirely embodied in a Maxim product. No circuit patent licenses are implied. Maxim reserves the right to change the circuitry and specifications without notice at any time.

9 **Maxim Integrated Products, 120 San Gabriel Drive, Sunnyvale, CA 94086 408-737-7600**

© 2007 Maxim Integrated Products

MAXIM is a registered trademark of Maxim Integrated Products, Inc.