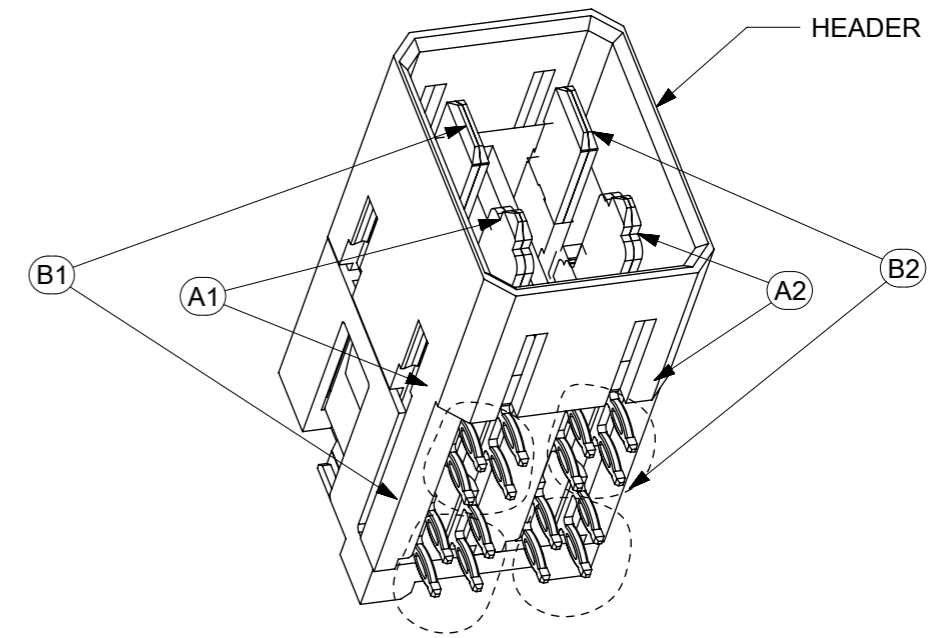
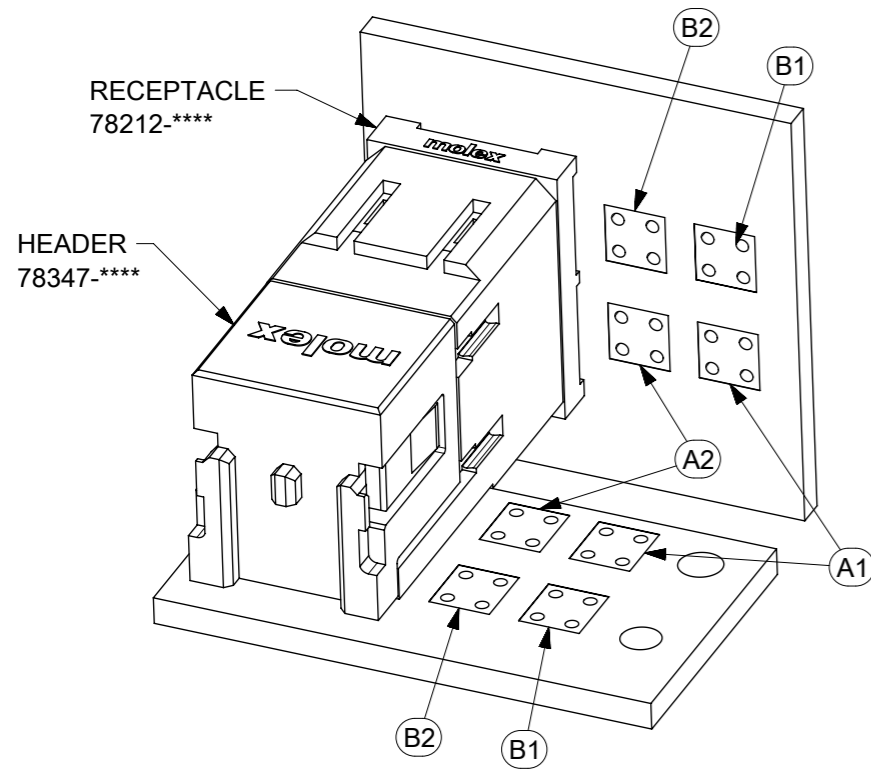


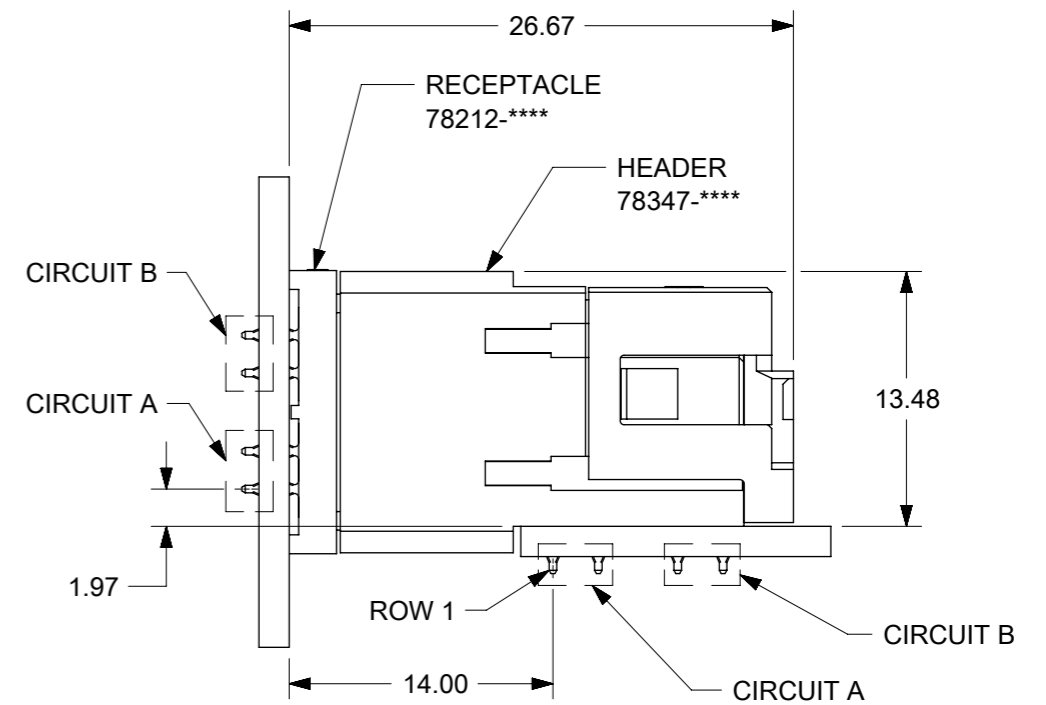
SERIES NUMBER 78347; RIGHT HOLD DOWN:  
1 POWER MODULE AND HOLD DOWN REMOVED TO  
ILLUSTRATE CIRCUIT PATH OF MATED SYSTEM



PIN NUMBER ASSIGNMENT BASED ON HEADER SIDE:  
A1, B1 ON THE LEFT,  
A2, B2 ON THE RIGHT.



SERIES NUMBER 78347; LEFT HOLD DOWN:  
1 POWER MODULE AND HOLD DOWN REMOVED TO  
ILLUSTRATE CIRCUIT PATH OF MATED SYSTEM



MATED SYSTEM OF 78347 & 78212

THIS DRAWING CONTAINS INFORMATION THAT IS PROPRIETARY TO MOLEX ELECTRONIC TECHNOLOGIES, LLC AND SHOULD NOT BE USED WITHOUT WRITTEN PERMISSION		CURRENT REV DESC: MIGRATED TO NX		<b>molex</b>	
DIMENSION UNITS	SCALE				
mm	NTS			PRODUCT CUSTOMER DRAWING	
GENERAL TOLERANCES (UNLESS SPECIFIED)		EC NO: 612055		DOCUMENT NUMBER	
ANGULAR TOL	± 3.0 °	DRWN: AAPPARAOETHAK 2019/01/17		SD-78212-002	
4 PLACES	±	CHK'D: RSHIVANANDKE 2019/02/27		DOC TYPE	DOC PART
3 PLACES	±	APPR: CWANG25 2019/03/05		PSD	001
2 PLACES	± 0.25	INITIAL REVISION:		REVISION	B
1 PLACE	±	DRWN: LNG 2007/12/11		SHEET NUMBER	
0 PLACES	±	APPR: SHONG 2007/12/12		2 OF 2	
DRAFT WHERE APPLICABLE MUST REMAIN WITHIN DIMENSIONS		THIRD ANGLE PROJECTION	DRAWING	SERIES	MATERIAL NUMBER
			A3-SIZE	78212	SEE TABLE
				CUSTOMER	GENERAL MARKET