

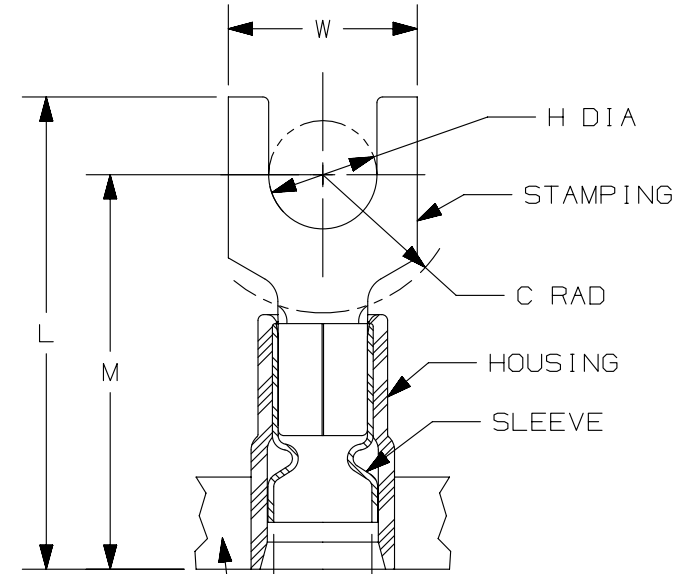
THIS COPY IS PROVIDED ON A RESTRICTED BASIS AND IS NOT TO BE USED IN ANY WAY DETRIMENTAL TO THE INTERESTS OF PANDUIT CORP.

PANDUIT PART #	STUD SIZE		DIMENSIONS in. [mm]				
	ENGLISH	METRIC	L ± .03 [0,8]	W ± .01 [0,3]	C ± .02 [0,5]	M ± .03 [0,8]	H ± .01 [0,3]
PMNF2-3F	--	M3	.78 [19,8]	.23 [5,9]	.20 [5,1]	.64 [16,3]	.13 [3,3]
PNF14-6FN*	#6	M3,5	.78 [19,8]	.24 [6,1]	.19 [4,8]	.64 [16,3]	.15 [3,8]
PNF14-6F	#6	M3,5	.78 [19,8]	.28 [7,1]	.22 [5,6]	.64 [16,3]	.15 [3,8]
PNF14-8F	#8	M4	.84 [21,3]	.31 [7,9]	.23 [5,8]	.68 [17,3]	.17 [4,3]
PNF14-10FN*	#10	--	.86 [21,8]	.31 [7,9]	.24 [6,1]	.70 [17,8]	.20 [5,1]
PNF14-10F	#10	--	.86 [21,8]	.34 [8,6]	.24 [6,1]	.70 [17,8]	.20 [5,1]
PMNF2-5F	--	M5	.86 [21,8]	.34 [8,6]	.25 [6,4]	.70 [17,8]	.20 [5,1]
PNF14-14F	1/4"	M6	1.03 [26,2]	.44 [11,2]	.32 [8,1]	.78 [19,8]	.27 [6,9]

* NOT UL LISTED OR CSA CERTIFIED

NOTES:

- USED FOR:
 - A. #16-14 AWG [1,5-2,5 mm²] SOLID OR STRANDED COPPER WIRE
 - B. 221°F [105°C] MAX. OPERATING TEMPERATURE
 - C. 600 V. MAX. VOLTAGE RATING
- INSTALLATION TOOLS:
 - A. PRESSES: CP-871
 - B. APPLICATOR: CA-800EZ, CA9
 - C. DIE INSERTS: CD-800-2, CD9-2A
- WIRE STRIP LENGTH: 1/4" ^{+1/32} [6,4^{+0,8}]
- MATERIAL:
 - A. STAMPING: .03" [0,76] THK COPPER, TIN PLATED
 - B. HOUSING: NYLON, BLUE
 - C. SLEEVE: BRASS, TIN PLATED
- SEE www.panduit.com FOR PACKAGE QUANTITIES INDICATED BY PART NUMBER SUFFIX
- DIMENSIONS IN BRACKETS ARE METRIC EQUIVALENT



CARRIER STRIP (CONFIGURATION MAY VARY)

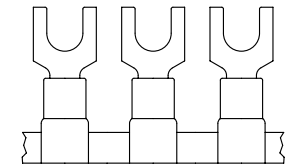
.16 [4,1] MAX. WIRE INSUL. DIA.



LISTED
587H
E52164



CERTIFIED
LR31212



REV	DATE	BY	CHK	APR	DESCRIPTION	ECN
05	09.10.12	JBN	LCA	VMB	ADDED METRIC EQUIVALENT. REVISED NOTES. UPDATED DRAWING TO CURRENT STANDARDS.	A41140

TITLE FORK TERMINALS, 3 PC. NYLON (FUNNEL) INSULATED, #16-14	
CUSTOMER DRAWING	
ITEM REVISION NAME N41140BA/05	PANDUIT
DATASET FILE NAME N41140BA_DC/05A	
UNLESS OTHERWISE SPECIFIED, DIMENSIONAL TOLERANCES ARE: IN [mm] .x ± .1 [2.54] .xxx ± .005 [.13] .xx ± .01 [.25] ANGLES ± 5°	
DRAWING NUMBER: A41140	
DRAWN BY GRM	DATE -
CHK FD	SCALE N.T.S.
SHT 1 OF 1	
SIZE A	

D10100DA/15