

4

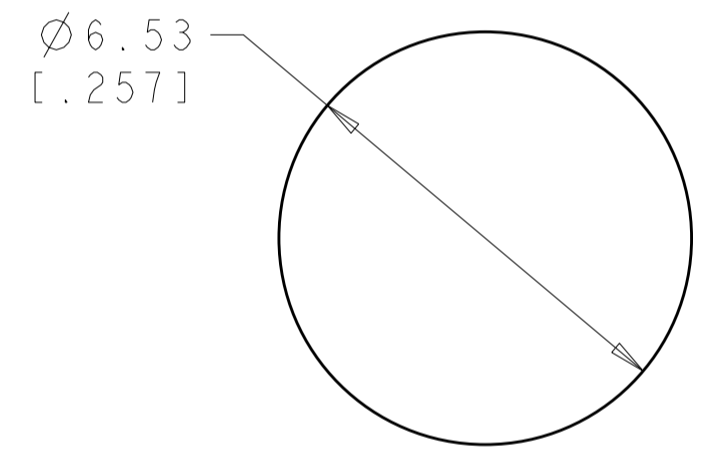
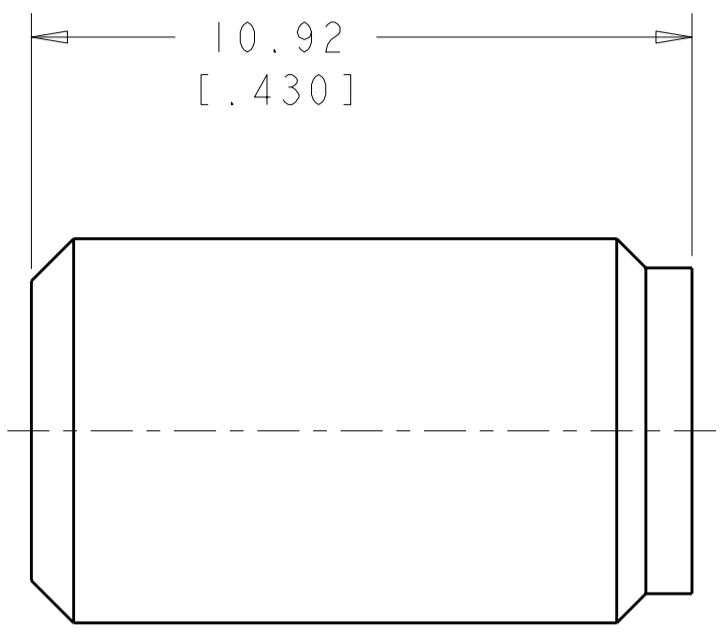
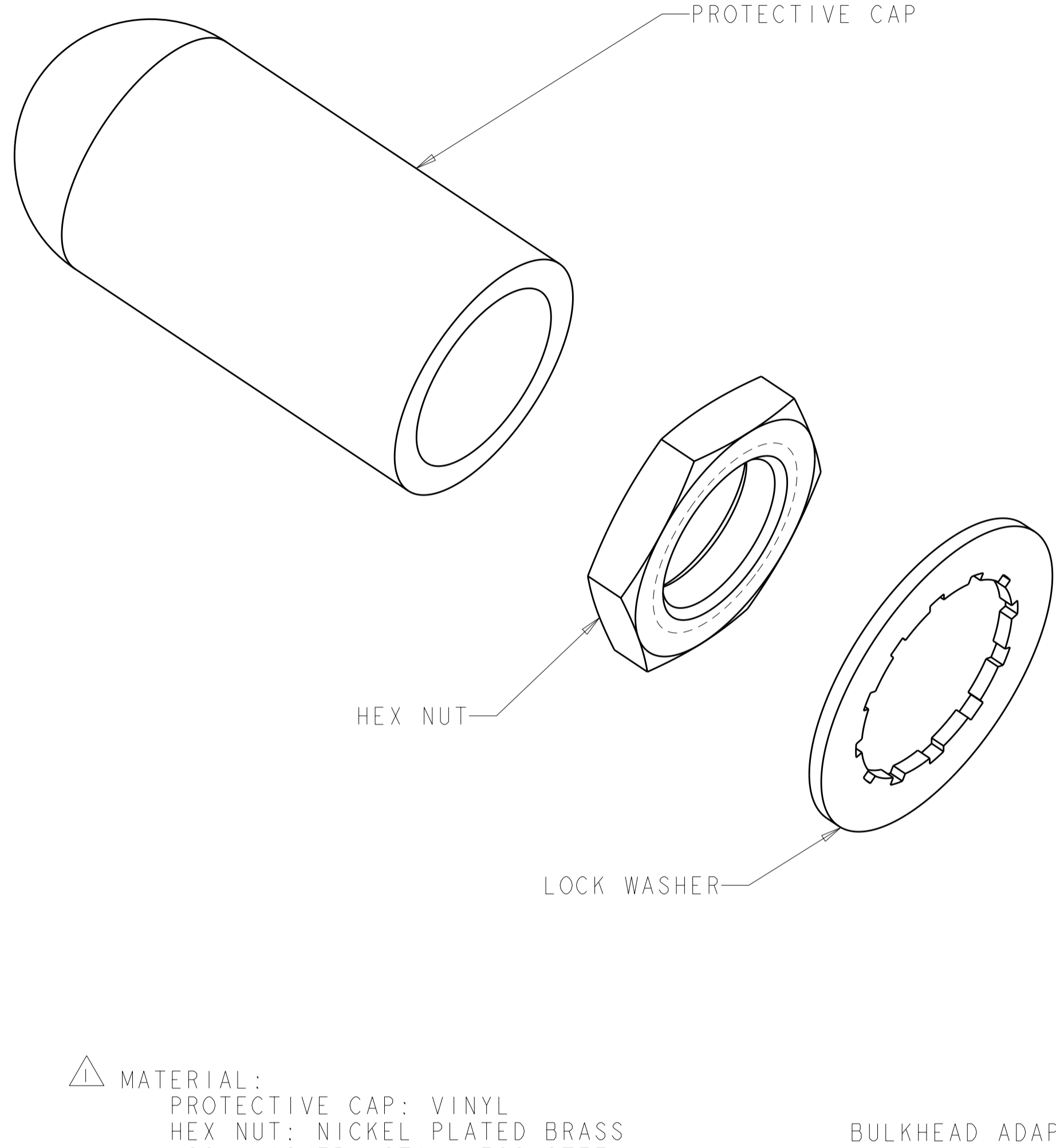
3

2

1

THIS DRAWING IS UNPUBLISHED. RELEASED FOR PUBLICATION 20
 © COPYRIGHT 20 BY - ALL RIGHTS RESERVED.

LOC		DIST		REVISIONS			
P	LTR	DESCRIPTION	DATE	DWN	APVD		
	J	REVISED PER ECR 11-022976	13NOV2011	DLF	LS		



1 MATERIAL:
 PROTECTIVE CAP: VINYL
 HEX NUT: NICKEL PLATED BRASS
 LOCK WASHER: STAINLESS STEEL
 BULKHEAD ADAPTER: STAINLESS STEEL

2. FOR USE WITH 5.0 [0.188] MAXIMUM PANEL THICKNESS.

504031-1
 PART NUMBER

THIS DRAWING IS A CONTROLLED DOCUMENT.		DWN B. BRIGGS	30SEP2005	STE TE Connectivity	
DIMENSIONS: INCHES		CHK L. SAUERWEIN	30SEP2005		
TOLERANCES UNLESS OTHERWISE SPECIFIED:		APVD S. BUCHTER	30SEP2005	NAME BULKHEAD ASSEMBLY, FSMA ADAPTER	
0 PLC ± 1 PLC ± 2 PLC ±0.13 [.005] 3 PLC ± 4 PLC ±		PRODUCT SPEC	-	SIZE	
ANGLES ± FINISH		APPLICATION SPEC	-	CAGE CODE	DRAWING NO
MATERIAL		WEIGHT	-	A200779	C=504031
1		CUSTOMER DRAWING	SCALE 5:1	SHEET 1	OF 1
1471-9 (3/11)				REV J	