

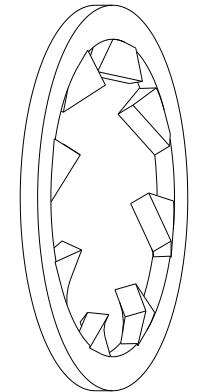
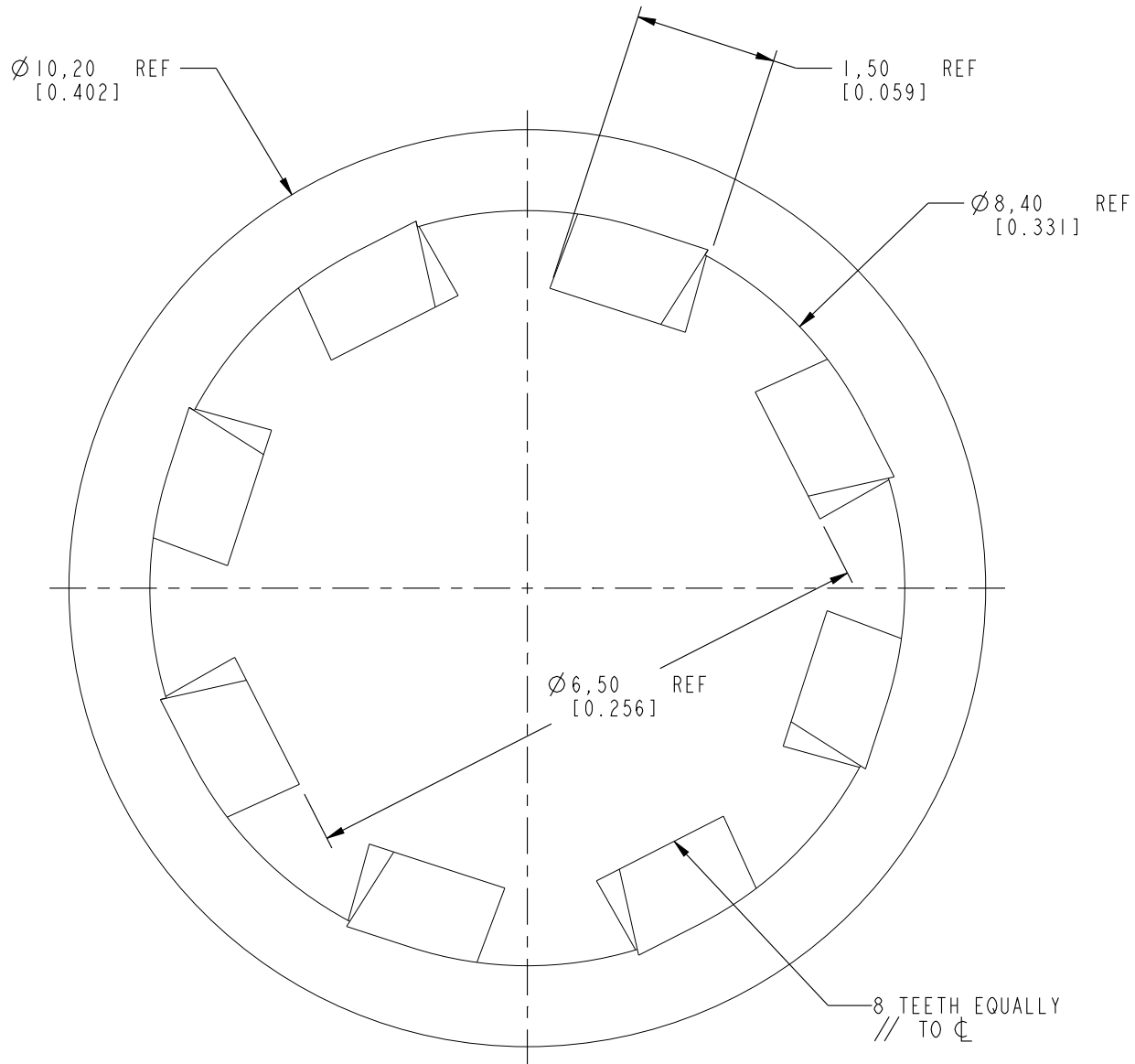
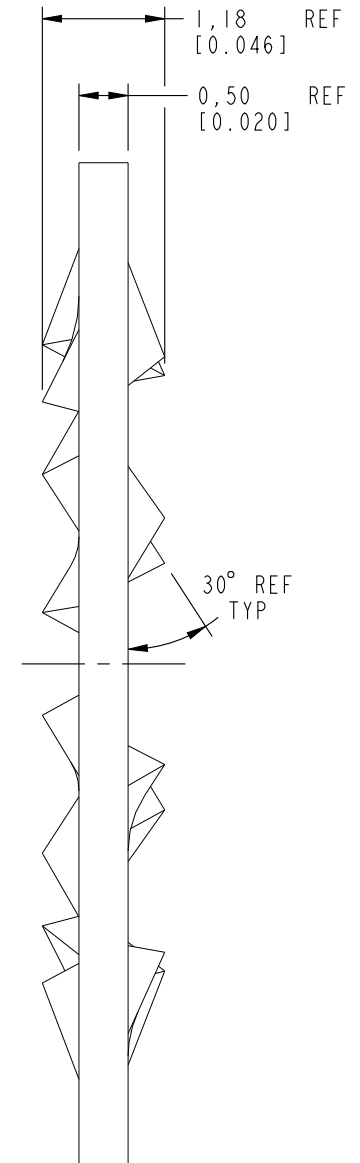
NOTES:

1. MATERIALS AND FINISHES:
LOCKWASHER- BRASS, GOLD PLATING
2. PACKAGING:
A. QUANTITY: BULK PACK.
B. MARKING: BAG TO BE MARKED
"AMPHENOL RF, 132-WASH-GLD AND DATE CODE"
3. APPROVED SOURCE:
A. AMPHENOL RF ASIA
PN: LW-102/65X05
B. ENGINEERING APPROVED EQUIVALENT

THIRD ANGLE PROJ.

REVISIONS

REV	DESCRIPTION	DATE	ECN	APPR
A	RELEASE TO MFG.	21-Nov-17	5881	PL



SCALE 5.000

CUSTOMER OUTLINE DRAWING

ALL OTHER SHEETS ARE FOR INTERNAL USE ONLY

UNLESS OTHERWISE SPECIFIED, DIMENSIONS ARE IN METRIC AND TOLERANCES ARE:				
<0.5mm ± 0.05mm	0.5 - 6mm ± 0.1mm	6 - 30mm ± 0.2mm	30 - 120mm ± 0.3mm	ANGLES ± 1°

NOTICE - These drawings, specifications, or other data (1) are, and remain the property of Amphenol corp. (2) must be returned upon request; and (3) are confidential and not to be disclosed to any person other than those to whom they are given by Amphenol Corp. the furnishing of these drawings, specifications, or other data by Amphenol Corp., or to any other person to anyone for any purpose is not to be regarded by implication or otherwise in any manner licensing, granting rights to permitting such holder or any other person to manufacture, use or sell any product, process or design, patented or otherwise, that may in any way be related to or disclosed by said drawings, specifications, or other data.

MATERIAL SEE NOTES	DRAWN LOKESH P	DATE 08-Nov-17	TITLE LOCKWASHER	Amphenol RF www.amphenolrf.com
REFERENCE	ENGINEER LOKESH P	DATE 08-Nov-17	SCALE: 1.0:1.0 SHEET 2 OF 2	
EAR#	APPROVED K.CAPOZZI	DATE 21-Nov-17	DWG SIZE B	DRAWING NO. 132-WASH-GLD
REF:	CAD FILE		REV A	ITEM NO. 132-WASH-GLD
CONFIGURATION LEVEL: In Work				PART NO. 132-WASH-GLD
FINISH				