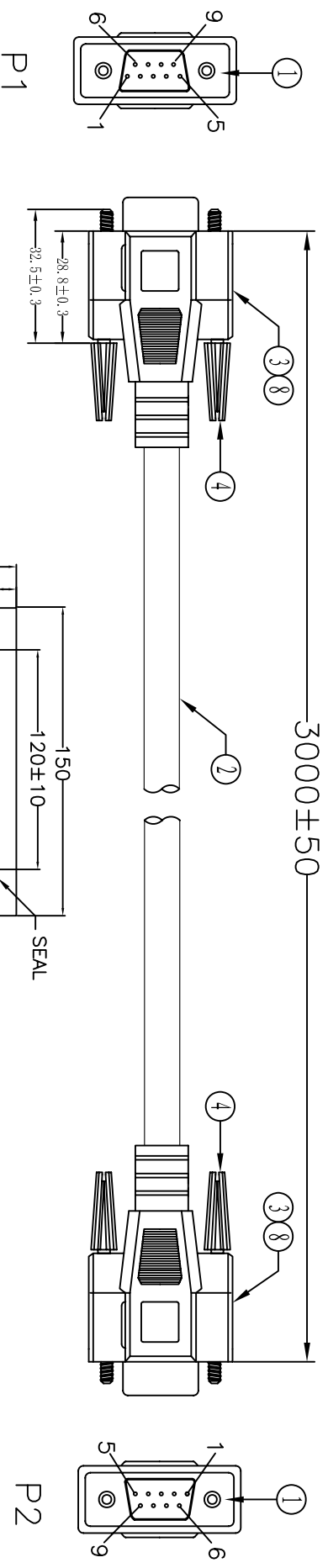
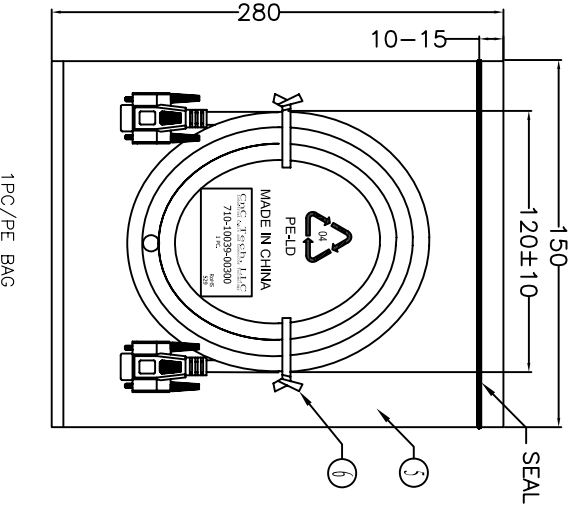


UNIT:MM



Electronic Test:  
 1. 100% Test,(Open,Short, Miss Wire)  
 2. Contact Resistance:2 ohm max.  
 3. Insulation Resistance:5M ohm min.  
 4. Hi-Pot:300V DC.



PIN ASSIGNMENT	
P1	P2
1	1
2	2
3	3
4	4
5	5
6	6
7	7
8	8
9	9
SHELL	SHELL

⑧	TUBE	2	HEAT SHRINK TUBE BLACK ODD.6*L15MM
⑦	PE BAG	1/10	CLEAR SIZE:360*380*0.05mm PRINT BLACK*MADE IN CHINA*+10PCS*印生产日期,有透气孔.
⑥	TIE	2	WHITE L=100mm
⑤	PE BAG	1	CLEAR SIZE:150*280*0.05mm PRINT BLACK*MADE IN CHINA*+1PC*印生产日期,有透气孔.
④	SCREW	4	SCREW:#4-40UNC D-E L32.5mm,NICKEL PLATED,INSULATION COLOR BEIGE(V-29).
③	IN JACKET	8g	CLEAR LDPE(MOULD NO:NM-049)
②	OUT JACKET	43.5g	BEIGE(V-29#) 40P PVC(MOULD NO:WM-113)
①	CABLE	1	NOUL 30AWG*9C+D+AL ODS.0mm COLOR BEIGE(V-29#) L=3000±15mm
①	CONN	2	DB 9P FEMALE SOLDER TYPE G/F, BLUE INSULATION

**CNC Tech, LLC**  
 Industrial Cable and Connector Technology

DRAWN BY	ZHONGHS	DRAWING NO.	
CHECKED BY		CUSTOMER	
APPROVAL BY		ITEM NO.	710-10039-00300
DATE		DATE	2012-02-06
VERSIONS/EDITION	A/0	PROJECT	