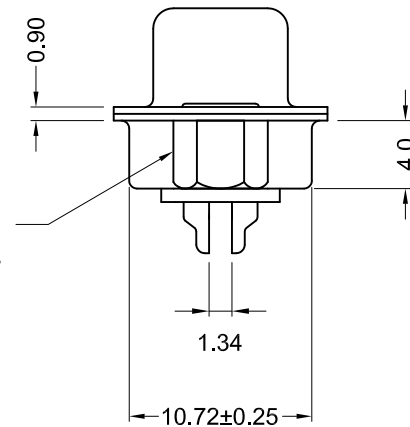


(2) #4-40 UNC Threaded Bushings (-K Option)



Material And Finish

Shell: Steel Material, Nickel Plated

Insert: PBT Thermoplastic,
Black Color, 30%
Glass Filled, UL 94V-0 Rated

Contact Material:
Socket - Brass

Contact Plating:
Standard:
gold flash over nickel on
contact area, tin over
nickel on soldercups
-15 Option:
15u" gold over nickel on
contact area, tin over
nickel on soldercups
-30 Option:
30u" gold over nickel on
contact area, tin over
nickel on soldercups

Electrical Specifications

Rated Current: 2A
Rated Voltage: 30V RMS
Dielectric Withstanding Voltage:
1000V (rms) AC for 1 minute
Insulation Resistance:
more than 1000 Megohm
at 500V DC
Contact Resistance:
13 milliohm max.
Operating Temperature
-55°C to +105°C

Ordering Information

Part Number	Contact Area Plating Finish
K85X-AA-15S-K	Gold Flash (standard)
K85X-AA-15S-K15	15u" Gold (15 option)
K85X-AA-15S-K30	30u" Gold (30 option)



Tolerances
X.X ± 0.25
X.XX ± 0.15
Unless Stated Otherwise

REV.	DATE	DESCRIPTION	REV. BY	CHK. BY	DRAWN BY	DATE
A1	3/9/06	New Drawing	R. Aguirre	H. MA	R. Aguirre	10/12/05
A2	1/8/08	ECO #07-052	WILL H.	H. MA		
A3	12/31/17	ECO #17-030	J. Elbanna	C. Furumasa		
					UNITS	
					mm	

K85X-AA-15S-K

Vertical Soldercup Mount D-Sub

15 Pin Female, RoHS Compliant

