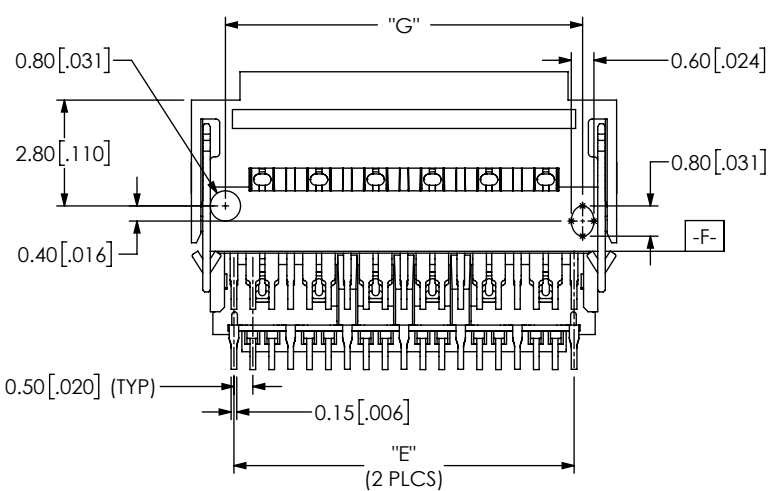
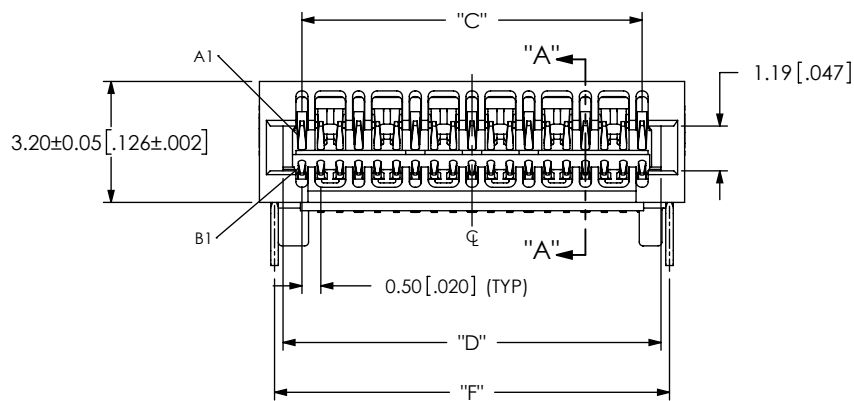
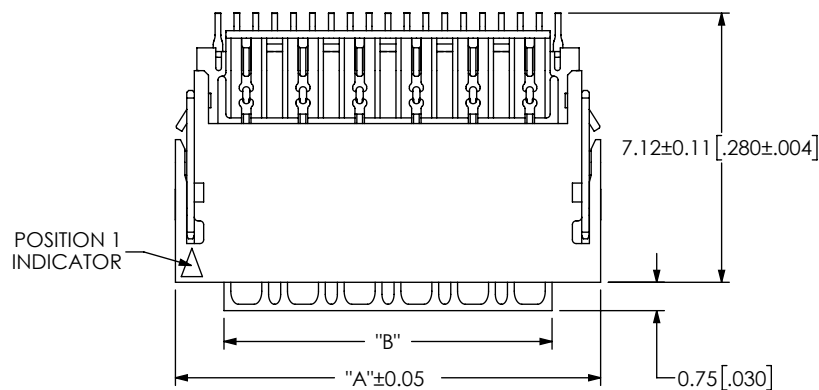


DESIGNED AND DIMENSIONED IN MILLIMETERS [INCHES]
ALL DIMENSIONS REFERENCE EXCEPT AS SHOWN

DO NOT SCALE FROM THIS PRINT



NOTES:

1. DELETED.
2. DELETED.
3. TAPE & REEL IS STANDARD PACKAGING
4. NOTE DELETED
5. ASSEMBLIES NOT AVAILABLE WITHOUT ALIGNMENT PINS.
6. ORDERS WILL BE PACKAGED ACCORDING TO THE SAMTEC PACKAGING EFFICIENCY STANDARDS (SPES) FOUND ON WWW.SAMTEC.COM
7. ATTACH LABEL TO EACH REEL

UEC5-XXX-2-XXX-D-RA-X-XX

No OF POSITIONS
-019, *-025
(PER ROW)

LEAD STYLE
-2: 28Gb WAFER BODY

PLATING SPECIFICATION

-H: 30µ" GOLD ON THE CONTACT AREA,
MATTE TIN ON THE TAILS,
MATTE TIN ON THE WELD TAB
-HFL: 30µ" GOLD ON THE CONTACT AREA,
GOLD FLASH ON THE TAILS,
TIN-LEAD ON THE WELD TAB

(* = NOT TOOLED)

TAPE & REEL OPTION (SEE NOTE 6 & 7)
BLANK: TAPE & REEL
-FR: FULL REEL QTY TAPE & REEL

WELD TAB STYLE
-1: THRU HOLE

RIGHT ANGLE
-RA: RIGHT ANGLE

ROW SPECIFICATION
-D: DOUBLE ROW

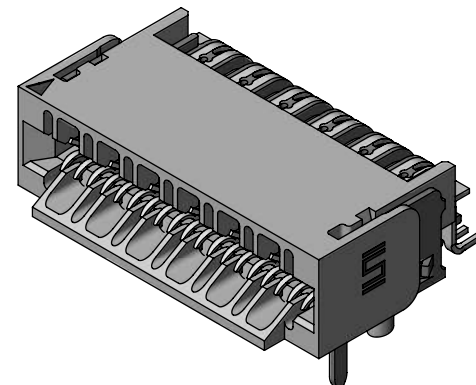
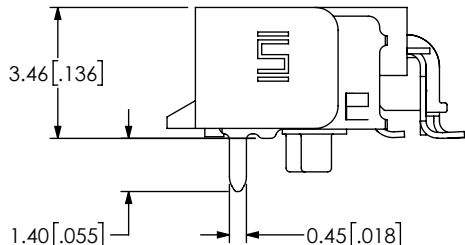


FIG 1
UEC5-019-2-XXX-D-RA-1 SHOWN

TABLE 2	
No. OF POS	"A"
-019	11.25 [0.443]
-025	14.25 [0.561]

TABLE 1						
No OF POS	"B"	"C"	"D"	"E"	"F"	"G"
-019	8.68 [0.342]	9.00 [0.354]	10.00 [0.394]	9.00 [0.354]	10.45 [0.411]	9.45 [0.372]
-025	11.68 [0.460]	12.00 [0.472]	13.00 [0.512]	12.00 [0.472]	13.45 [0.530]	12.45 [0.490]

PROPRIETARY NOTE
THIS DOCUMENT CONTAINS CONFIDENTIAL AND PROPRIETARY INFORMATION AND ALL DESIGN, MANUFACTURING, REPRODUCTION, USE, PATENT RIGHTS AND SALES RIGHTS ARE EXPRESSLY RESERVED BY SAMTEC, INC. THIS DOCUMENT SHALL NOT BE DISCLOSED, IN WHOLE OR PART, TO ANY UNAUTHORIZED PERSON OR ENTITY NOR REPRODUCED, TRANSFERRED OR INCORPORATED IN ANY OTHER PROJECT IN ANY MANNER WITHOUT THE EXPRESS WRITTEN CONSENT OF SAMTEC, INC.

DO NOT SCALE DRAWING SHEET SCALE: 6:1
MATERIAL:
INSULATOR: LCP, COLOR: BLACK
CONTACTS & WELD TABS: COPPER ALLOY



520 PARK EAST BLVD, NEW ALBANY, IN 47150
PHONE: 812-944-6733 FAX: 812-948-5047
e-Mail info@SAMTEC.com code 55322

DESCRIPTION:
0.5MM EDGE RATE WAFER SOCKET ASSY
DWG. NO.
UEC5-XXX-2-XXX-D-RA-X-XX

BY: CANDY W 08/05/2017 SHEET 1 OF 1