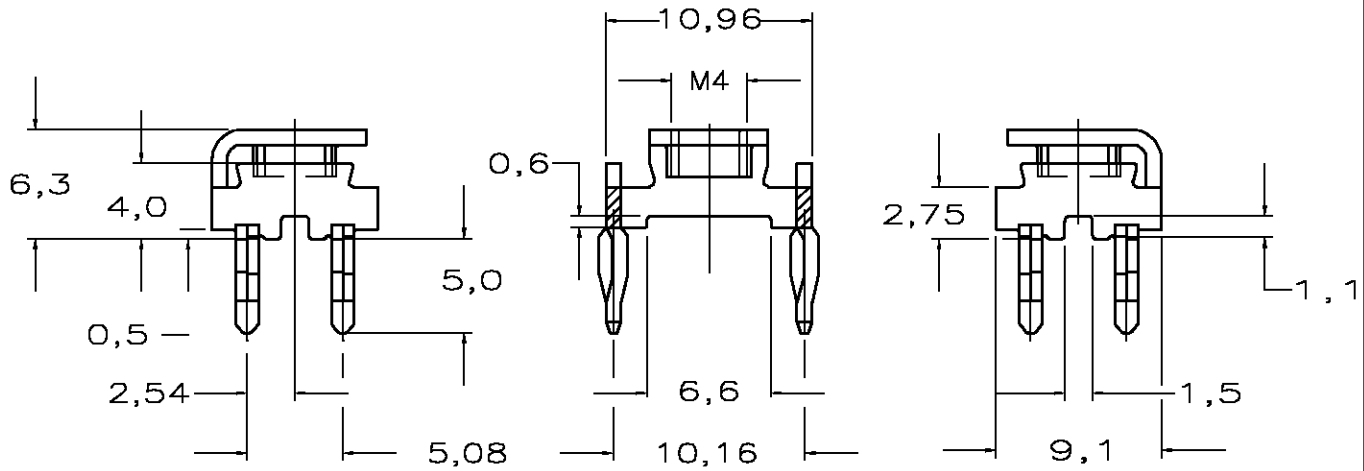
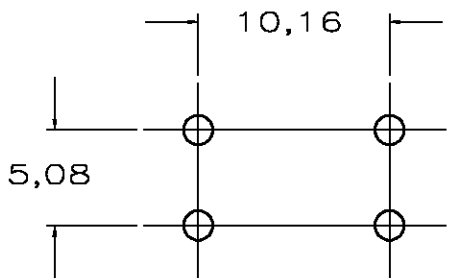


LOC	DIST	REVISIONS					
H	-	P	LTR	DESCRIPTION	DATE	DWN	APVD
		C		ECR-05-006211	13JUL05	CJF	JB



NOTES :

- 1 PLATING: Sn PLATE TO ASTM B 545 AND NI UNDERCOAT TO ASTM B 571 ALL OVER
- 2 MATERIAL THICKNESS 0,8 mm .



RECOMMENDED BOARD LAYOUT

THIS DRAWING IS UNPUBLISHED.

ALL RIGHTS RESERVED.

COPYRIGHT © BY TYCO ELECTRONICS CORPORATION.

DIMENSIONS: MM		DWN S.MEEUWSEN 13FEB90	MATERIAL	PHOSPHORBRONZE	216906-1
TOLERANCES UNLESS OTHERWISE SPECIFIED:		CHK R.V.LOKVEN 03APR90	FINISH	MATERIAL	PART NUMBER
0 PLC ± -		APVD L.V. SOEST 03APR90			
1 PLC ± -		PRODUCT SPEC	Tyco Electronics Corporation s-Hertogenbosch, Nederland,		
2 PLC ± -		108-19059			
3 PLC ± -		APPLICATION SPEC	NAME POWER TERMINAL WITH ACTION PIN (1,6-3,2 P.C.BOARD THK'S.)		
4 PLC ± -			SIZE	CAGE CODE	DRAWING NO
ANGLES ± -		WEIGHT	A4	00779	C=216906
		CUSTOMER DRAWING		SCALE 1:1	SHEET 1 OF 1
				REV C	