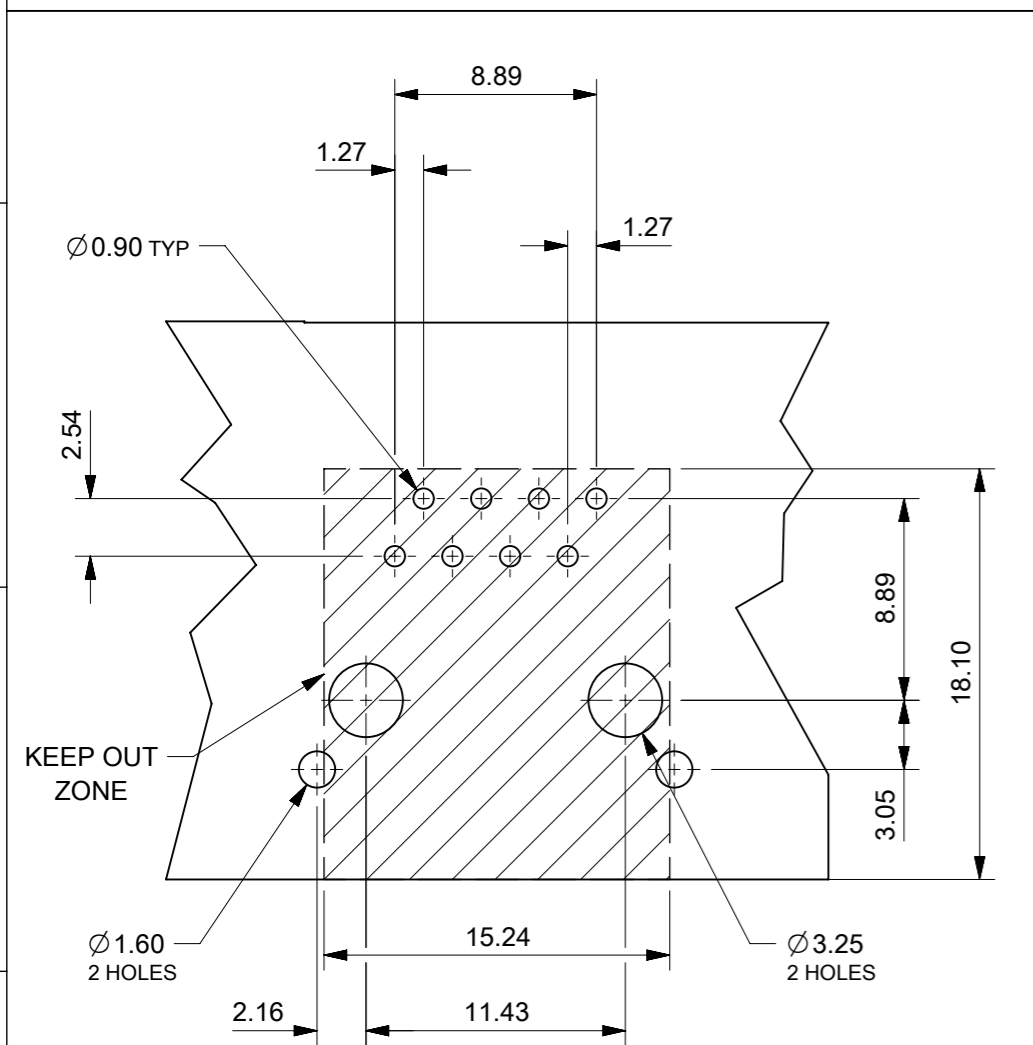
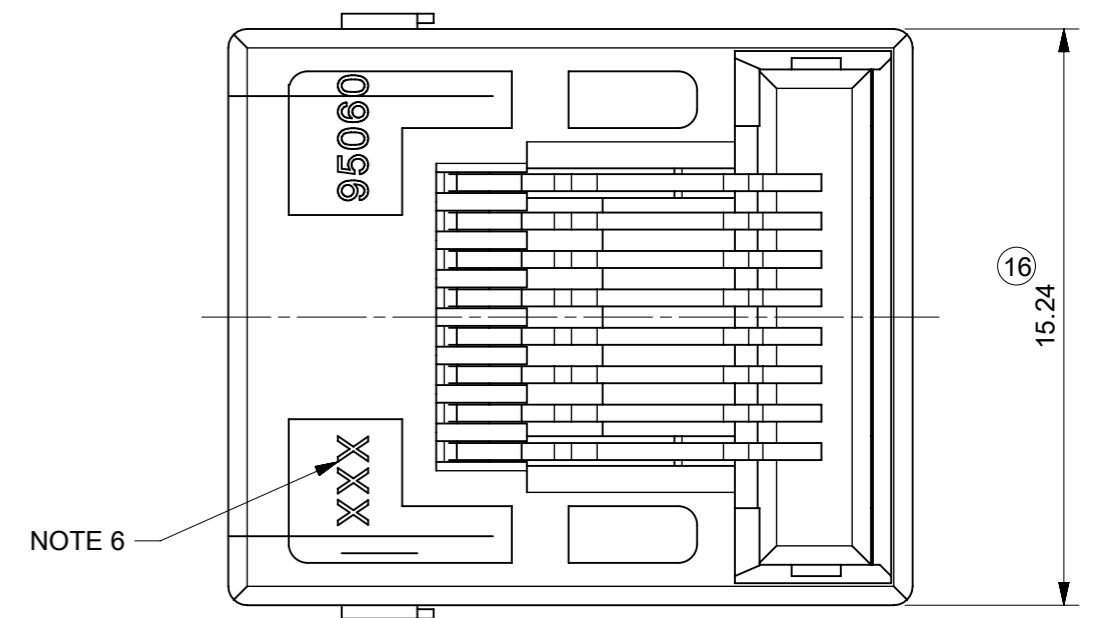


NOTES:

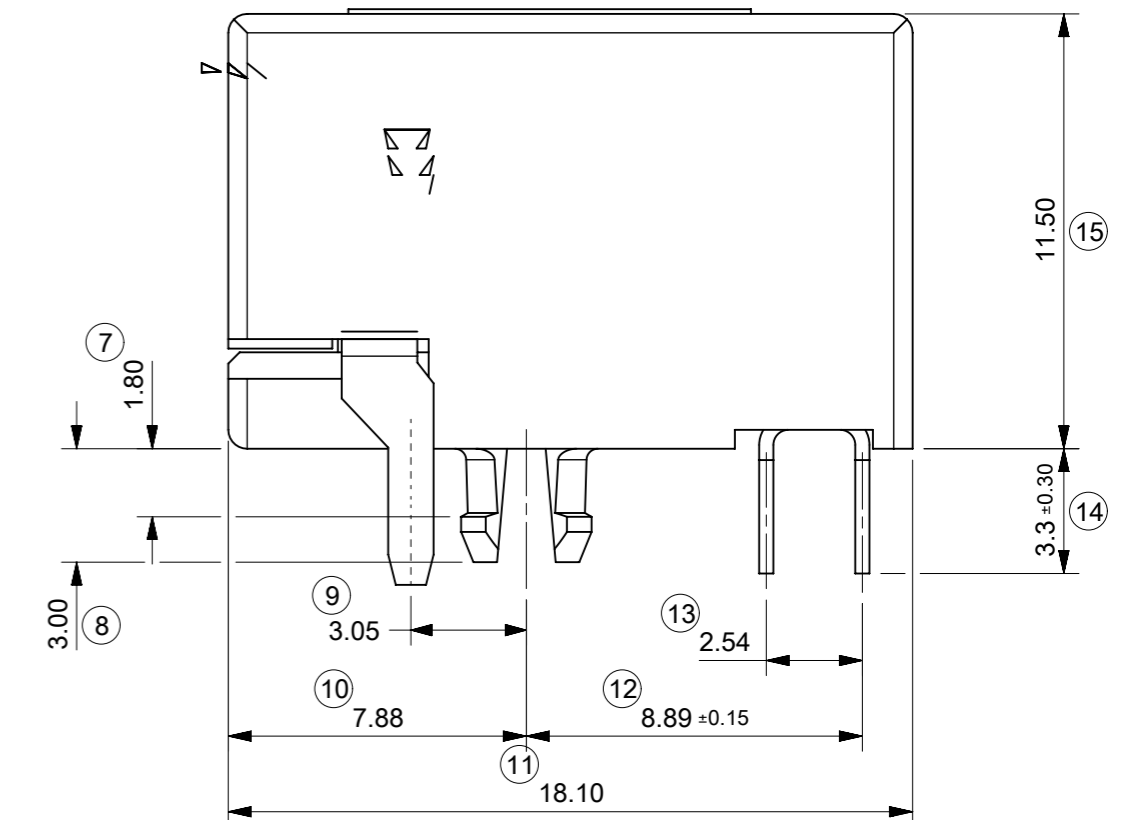
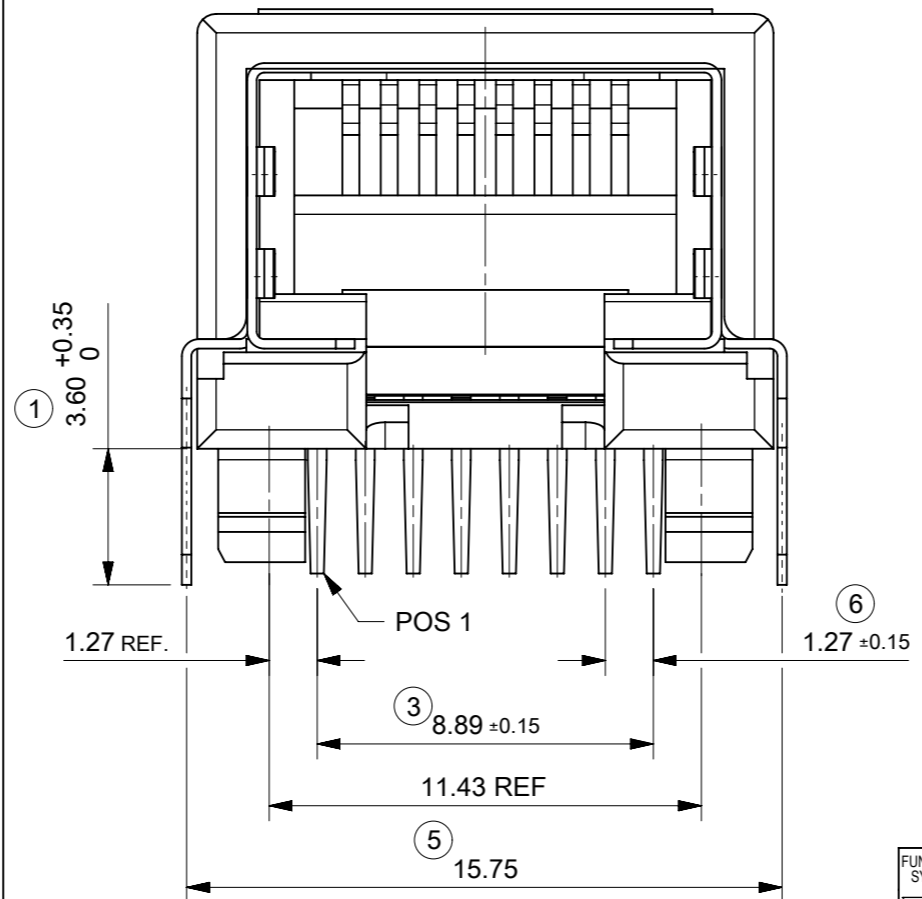
- MATERIAL:
HOUSING: LCP GLASS FILLED UL 94-V0. COLOR: BLACK
TERMINAL: COPPER ALLOY PLATED WITH:
BASE FINISH: NICKEL
CONTACT SURFACE FINISH: GOLD
OR
GOLD FLASH OVER PALLADIUM NICKEL
EXCEEDS PRODUCT REQUIREMENTS BASED ON PS-95540-002
SHIELD: COPPER ALLOY PLATED WITH TIN
- P.C. BOARD THICKNESS 1.57 ± 0.15
- JACK FOR MATING WITH IEC 60603-7 AND TIA-1096-A PLUGS
95043 MOLEX SERIES
- PRODUCT SPECIFICATION: PS-95540-002
- PACKAGING SPECIFICATION: MOLEX PK-95040
- MANUFACTURING I.D. CAN BE EITHER MXF, MG, MXI OR MXCH.

LAST INSPECTION NO.: 16
REMOVED INSPECTION NO.: 2, 4

PART NUMBER
95540-2881



RECOMMENDED
P.C.B. MOUNTING PATTERNS
VIEW FROM COMPONENT SIDE
ALL DIMENSIONS REF DIMENSIONS

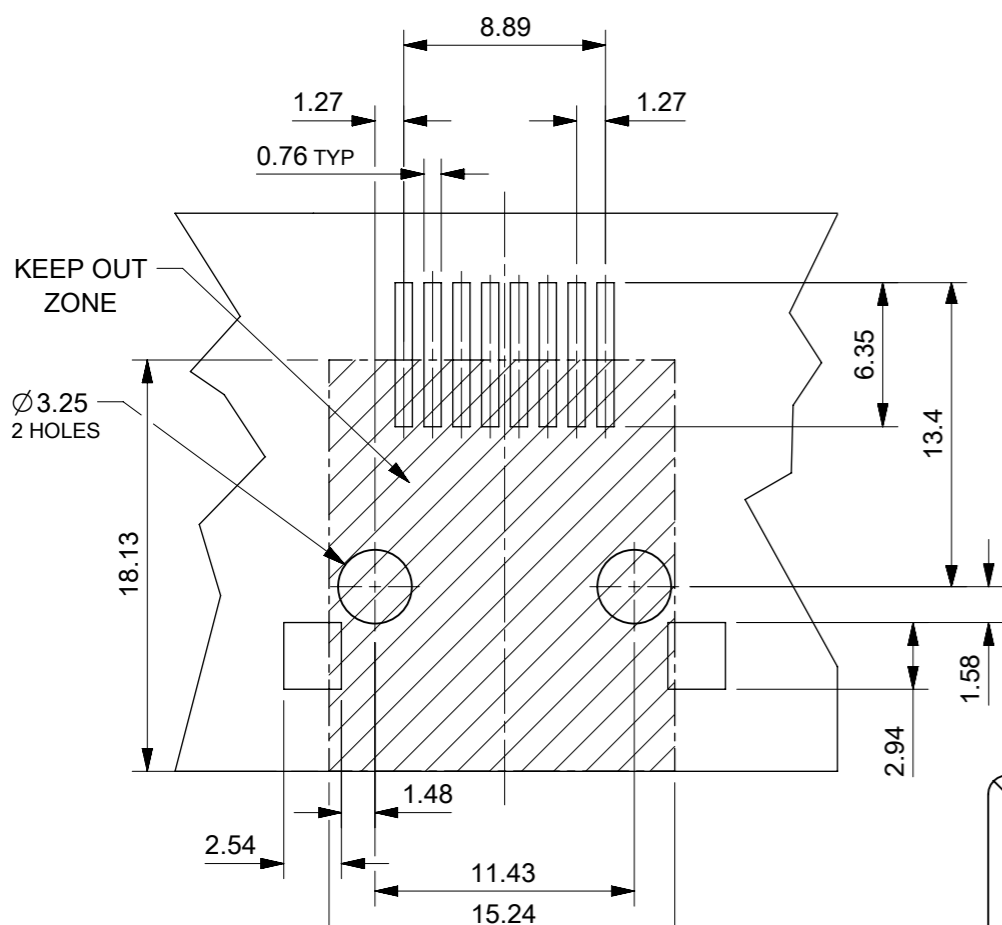


FUNCTIONAL SYMBOLS	THIS DRAWING CONTAINS INFORMATION THAT IS PROPRIETARY TO MOLEX ELECTRONIC TECHNOLOGIES, LLC AND SHOULD NOT BE USED WITHOUT WRITTEN PERMISSION		
	THIS DRAWING DIMENSION UNITS	SCALE	CURRENT REV DESC: REMASTERED USING 3D MODELS
$\nabla_A = 0$	mm	5:1	EC NO: 686740 DRWN: GWU15 CHK'D: KLANG APPR: KLANG INITIAL REVISION: DRWN: KNOLLER APPR: KNOLLER
$\nabla_E = 0$	GENERAL TOLERANCES (UNLESS SPECIFIED)		
$\nabla_{E'} = 0$	ANGULAR TOL ± 0.5°		
DIVISIONAL SYMBOLS	4 PLACES	±	
	3 PLACES	±	
	2 PLACES	± 0.1	2021/07/15
	1 PLACE	± 0.15	2021/12/16
	0 PLACES	±	2021/12/16
	DRAFT WHERE APPLICABLE MUST REMAIN WITHIN DIMENSIONS	THIRD ANGLE PROJECTION	2004/06/30 2004/06/30
DOCUMENT STATUS	P1	RELEASE DATE	2021/12/16 01:29:37
DRAWING		SERIES	MATERIAL NUMBER
A3-SIZE		95540	SEE CHART
CUSTOMER		DOC TYPE	DOC PART
GENERAL MARKET		PSD	001
SHEET NUMBER		REVISION	
1 OF 3		L2	

NOTES:

1. COPLANARITY OF LEADS: 0.10 MAX.
COPLANARITY OF SHIELD TABS: 0.10 MAX.
2. PACKAGING SPECIFICATION: BLISTER ON REEL (SEE CHART)
3. PRODUCT SPECIFICATION: MOLEX PS-95540-002
4. KAPTON ADHESIVE FOIL: 0.125 THICK.
5. JACK FOR MATING WITH IEC 60603-7 AND TIA-1096-A PLUGS 95043 MOLEX SERIES
6. MANUFACTURING I.D. CAN BE EITHER MXF, MG, MXI OR MXCH.

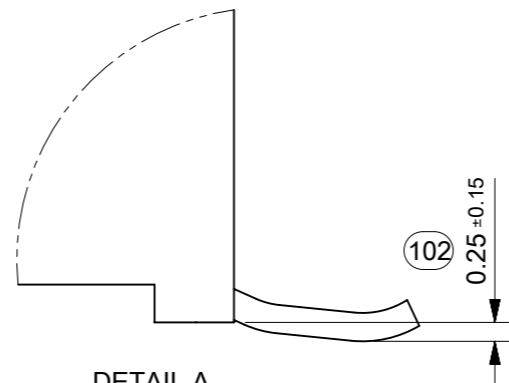
LAST INSPECTION NO.: 121
REMOVED INSPECTION NO.: 103, 105, 107



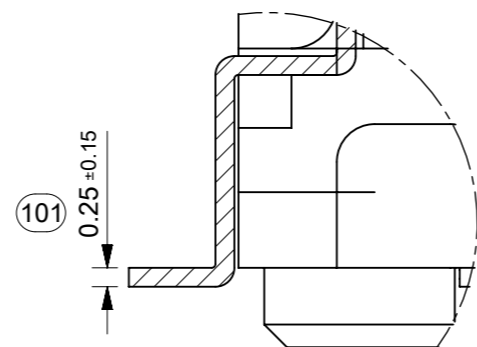
RECOMMENDED P.C.B. MOUNTING PATTERNS
VIEW FROM COMPONENT SIDE
ALL DIMENSIONS REF DIMENSIONS

PACKAGING		
PART NUMBER	REEL SIZE	SPECIFICATION
95540-6886	330	PK-85502-SHT 1
95540-6888	559	PK-85502-SHT 3

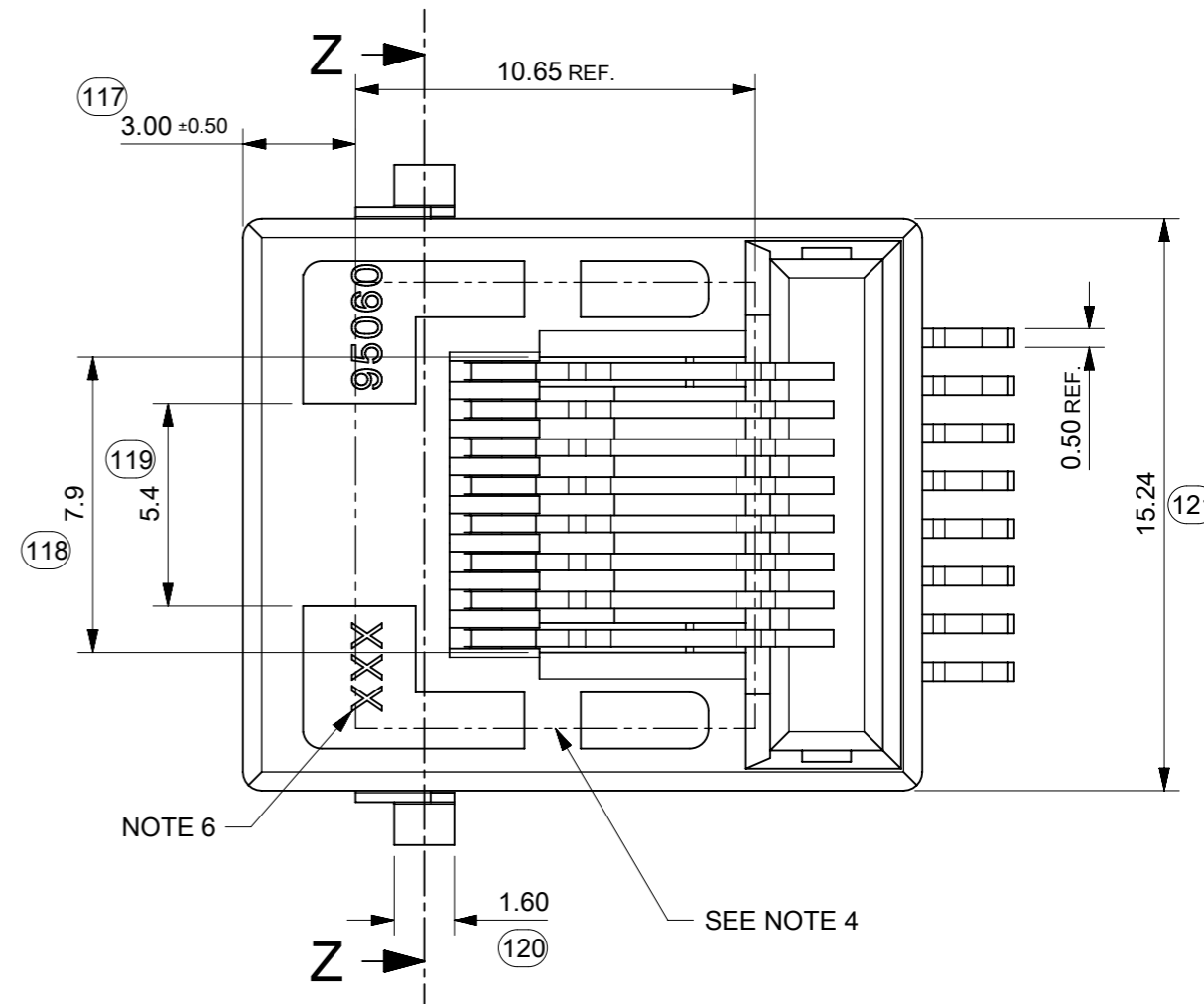
MATERIAL:
HOUSING: LCP GLASS FILLED UL 94-V0, COLOR: BLACK
TERMINAL: COPPER ALLOY PLATED WITH:
BASE FINISH: NICKEL
CONTACT SURFACE FINISH:
GOLD
OR
GOLD FLASH OVER PALLADIUM NICKEL
EXCEEDS PRODUCT REQUIREMENTS BASED ON PS-95540-002
SHIELD: COPPER ALLOY PLATED WITH TIN



DETAIL A
SCALE 10:1

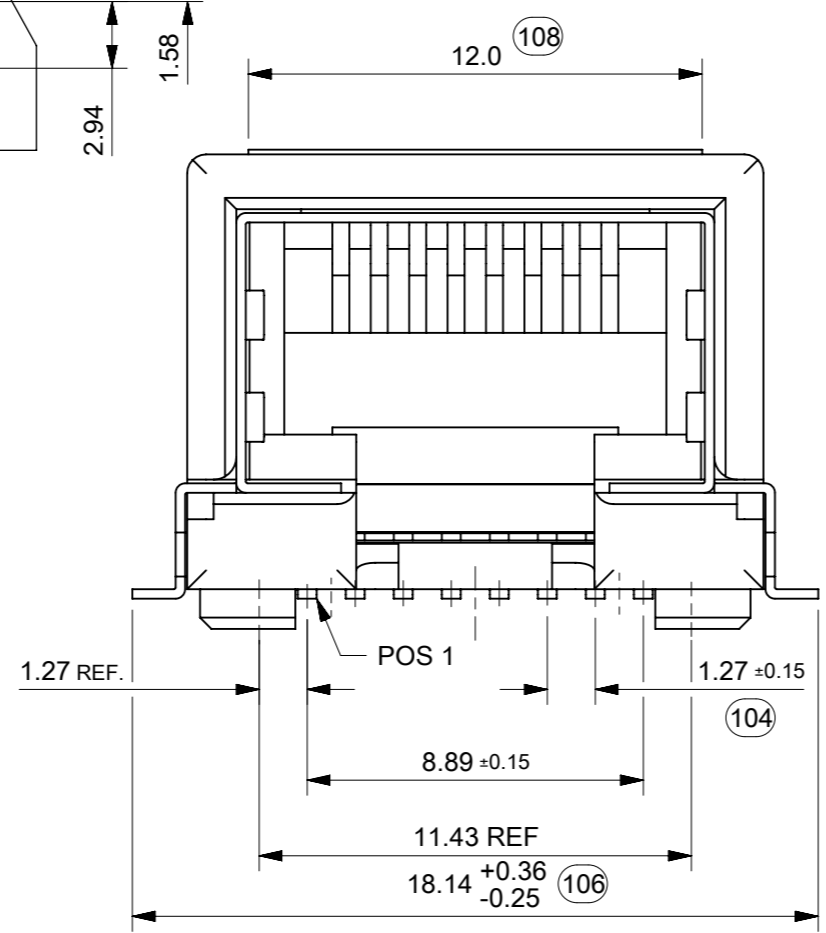
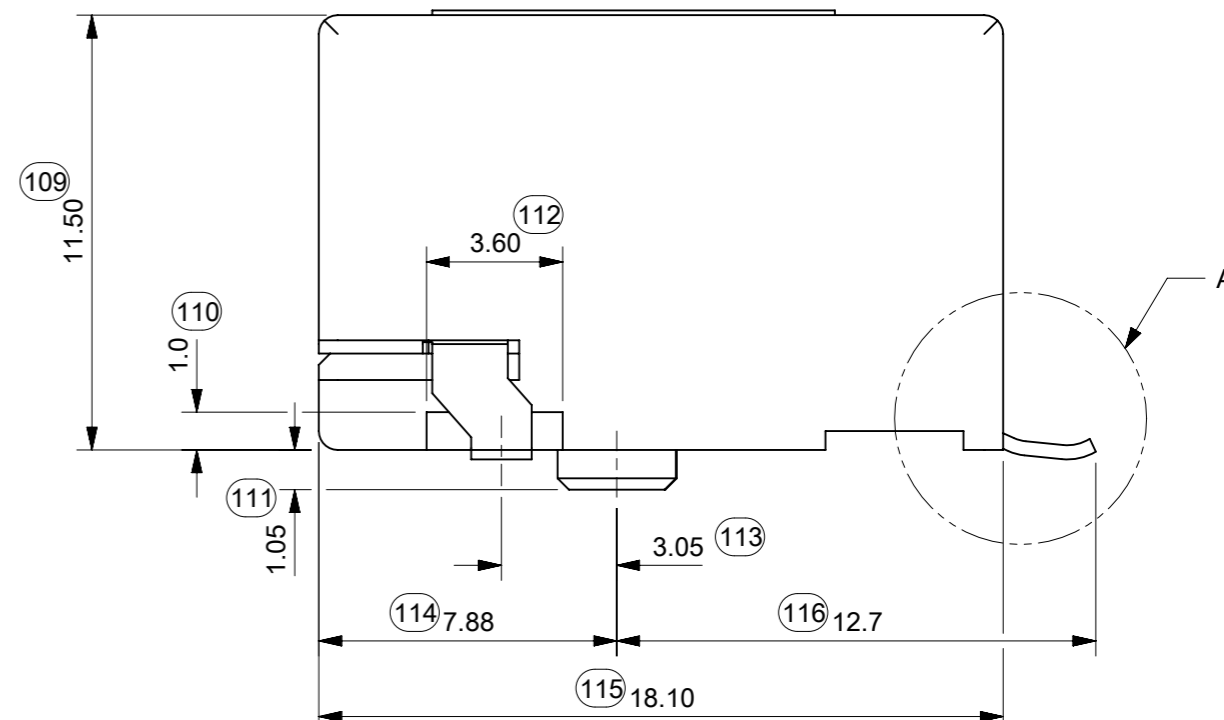


PARTIAL Z-Z



NOTE 6

SEE NOTE 4



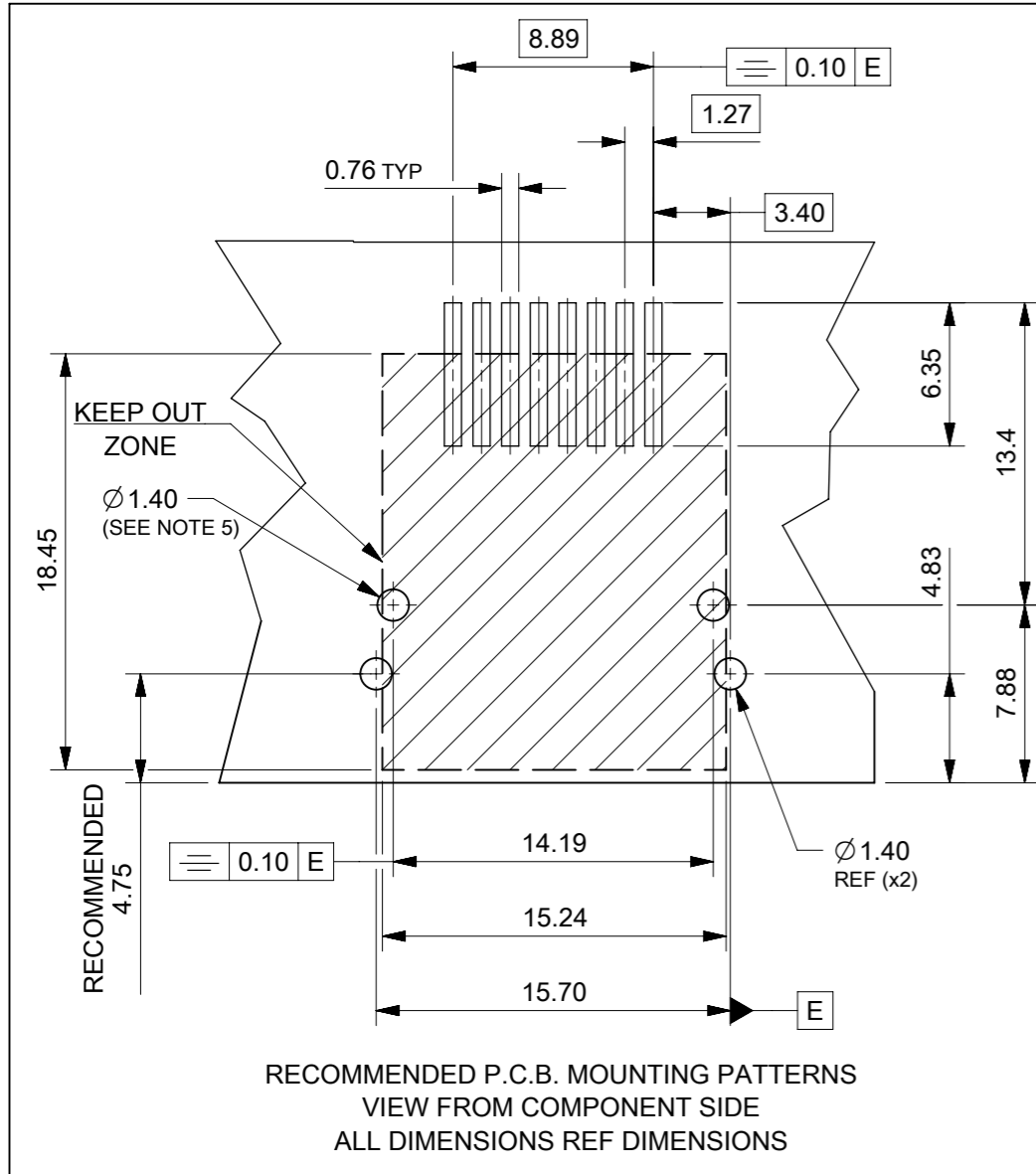
FUNCTIONAL SYMBOLS	THIS DRAWING CONTAINS INFORMATION THAT IS PROPRIETARY TO MOLEX ELECTRONIC TECHNOLOGIES, LLC AND SHOULD NOT BE USED WITHOUT WRITTEN PERMISSION		CURRENT REV DESC: REMASTERED USING 3D MODELS		
	THIS DRAWING CONTAINS INFORMATION THAT IS PROPRIETARY TO MOLEX ELECTRONIC TECHNOLOGIES, LLC AND SHOULD NOT BE USED WITHOUT WRITTEN PERMISSION	SCALE: 5:1	EC NO: 686740		
GENERAL TOLERANCES (UNLESS SPECIFIED)	mm	5:1	DRWN: GWU15		PRODUCT CUSTOMER DRAWING
ANGULAR TOL ± 0.5°			CHK'D: KLANG		DOCUMENT NUMBER
4 PLACES ±			APPR: KLANG		DOC TYPE
3 PLACES ±			INITIAL REVISION:		DOC PART
2 PLACES ± 0.1			DRWN: KNOLLER		REVISION
1 PLACE ± 0.15			APPR: KNOLLER		SD-95540-001
0 PLACES ±			THIRD ANGLE PROJECTION		PSD 001 L2
DRAFT WHERE APPLICABLE MUST REMAIN WITHIN DIMENSIONS			DRAWING: A3-SIZE		SHEET NUMBER
		SERIES: 95540		MATERIAL NUMBER: SEE CHART	
		CUSTOMER: GENERAL MARKET		2 OF 3	

TECHNICAL SPECIFICATIONS:

MATERIAL:
 HOUSING: LCP GLASS FILLED UL 94-V0 COLOR: BLACK
 TERMINAL: COPPER ALLOY PLATED WITH:
 BASE FINISH: NICKEL
 CONTACT SURFACE FINISH:
 GOLD
 OR
 GOLD FLASH OVER PALLADIUM NICKEL
 EXCEEDS PRODUCT REQUIREMENTS BASED ON PS-95540-002

SHIELD: COPPER ALLOY PLATED WITH TIN

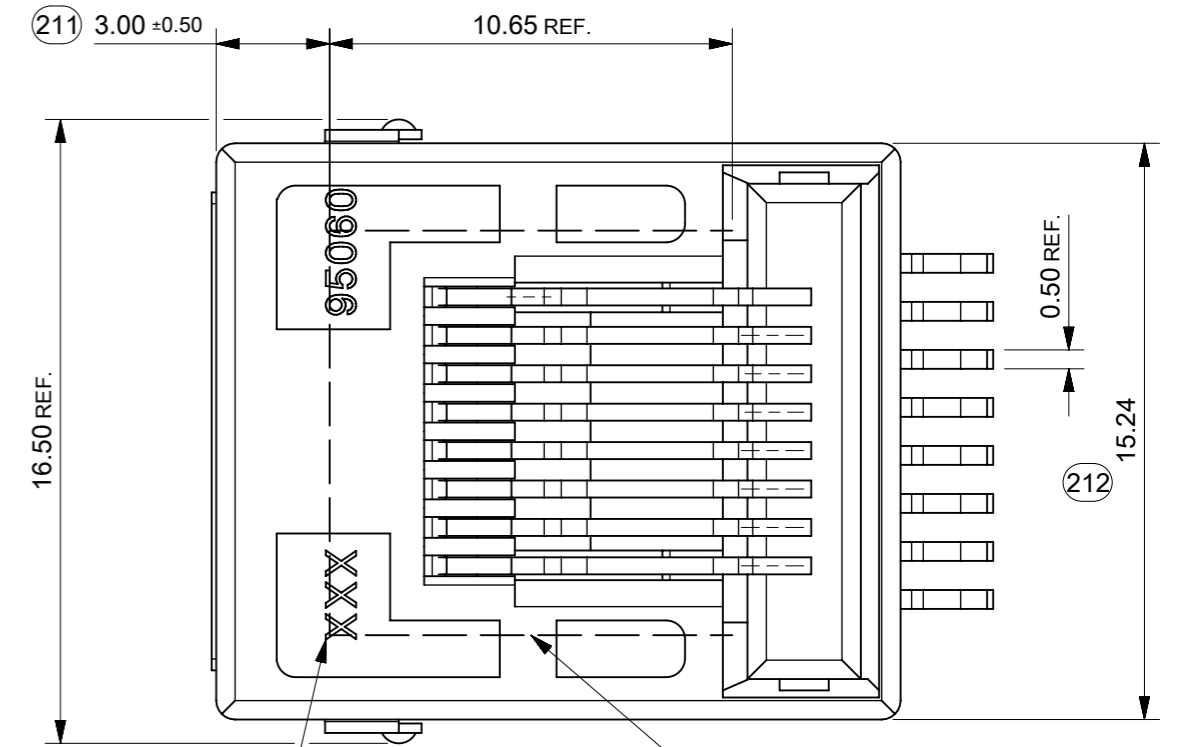
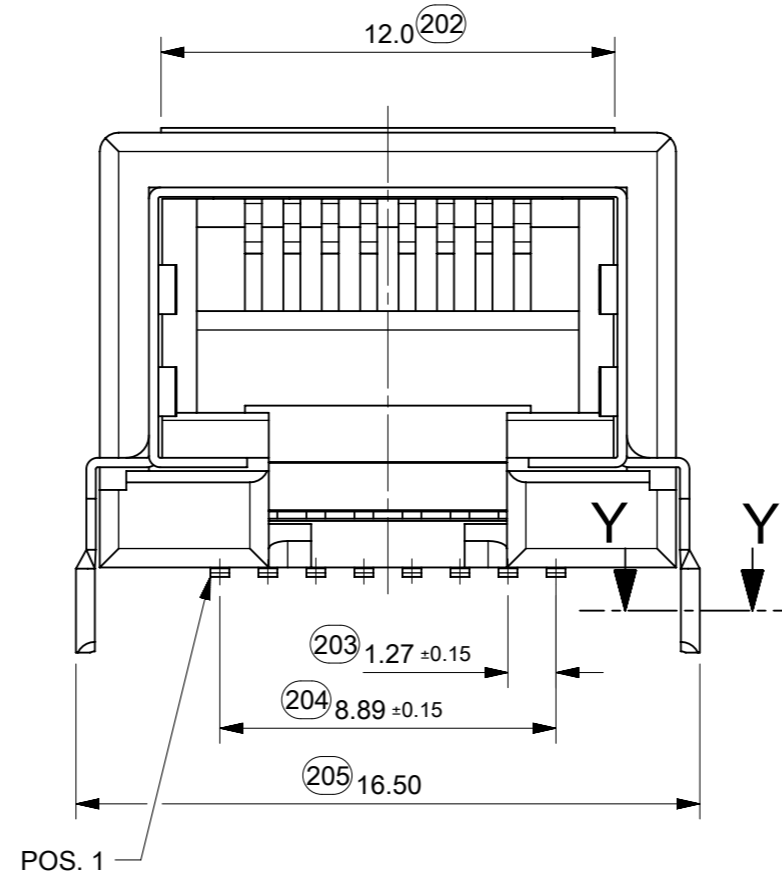
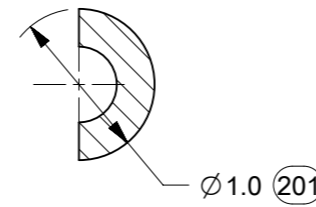
PART NUMBER	PEG DIM A	PACKAGING	
		REEL SIZE	SPEC.
95540-5880	1.34±0.10	330	PK-85502 SHET 1
95540-6880	2.25	330	PK-85502 SHET 1



NOTES:

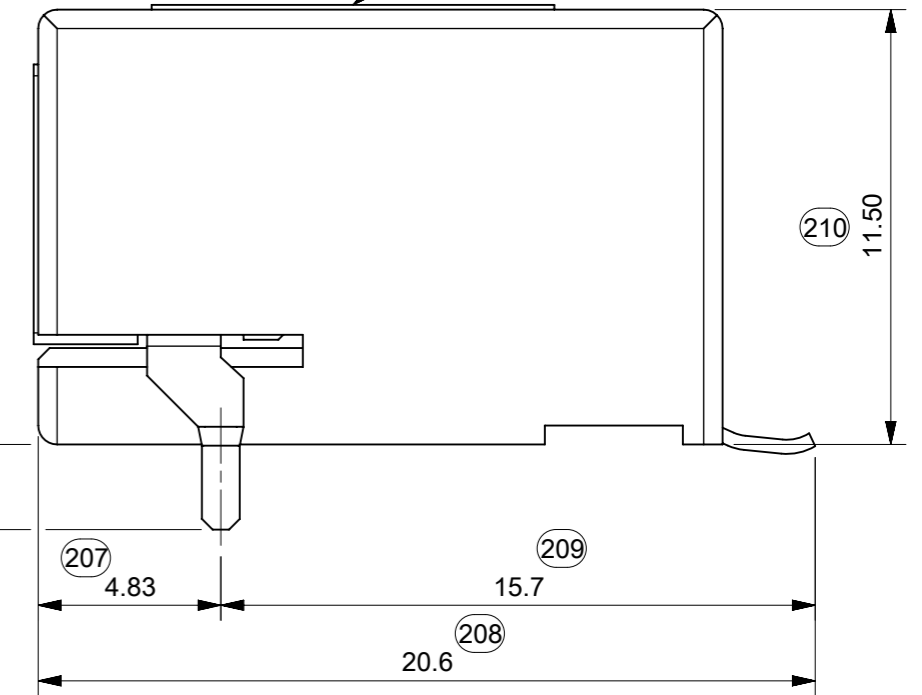
- JACK FOR MATING WITH IEC 60603-7 AND TIA-1096-A PLUGS, 95043 MOLEX SERIES.
- COPLANARITY OF LEADS: 0.10 MAX.
- PACKAGING: MOLEX PK-85502 SHEET 1 (BLISTER ON REEL).
- KAPTON ADHESIVE FOIL: 0.125 THICK.
- OPTIONAL HOLES FOR COMPAT. WITH UNSHIELDED VERSION.
- PRODUCT SPECIFICATION: MOLEX PS-95540-002
- MANUFACTURING I.D. CAN BE EITHER MXF, MG, MXI OR MXCH.

LAST INSPECTION NUMBER: 212



NOTE 7

SEE NOTE 4



FUNCTIONAL SYMBOLS	THIS DRAWING CONTAINS INFORMATION THAT IS PROPRIETARY TO MOLEX ELECTRONIC TECHNOLOGIES, LLC AND SHOULD NOT BE USED WITHOUT WRITTEN PERMISSION	SCALE		CURRENT REV DESC: REMASTERED USING 3D MODELS				molex					
	DIMENSION UNITS	mm	5:1										
DIVISIONAL SYMBOLS	GENERAL TOLERANCES (UNLESS SPECIFIED)	ANGULAR TOL ± 0.5°		EC NO: 686740				RIGHT ANGLE LOW PROFILE SHIELDED PC JACK					
	4 PLACES ±			DRWN: GWU15				2021/07/15					
	3 PLACES ±			CHK'D: KLANG				2021/12/16					
	2 PLACES ±	0.1		APPR: KLANG				2021/12/16					
	1 PLACE ±	0.15		INITIAL REVISION:				PRODUCT CUSTOMER DRAWING					
0 PLACES ±			DRWN: KNOLLER				2004/06/30						
DRAFT WHERE APPLICABLE MUST REMAIN WITHIN DIMENSIONS		THIRD ANGLE PROJECTION		DRAWING		SERIES		MATERIAL NUMBER		CUSTOMER		SHEET NUMBER	
		A3-SIZE		95540		SEE CHART		GENERAL MARKET		3 OF 3			