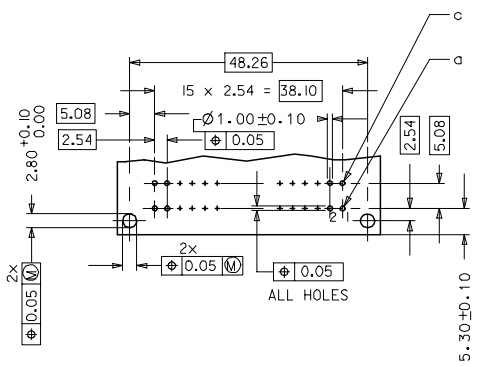
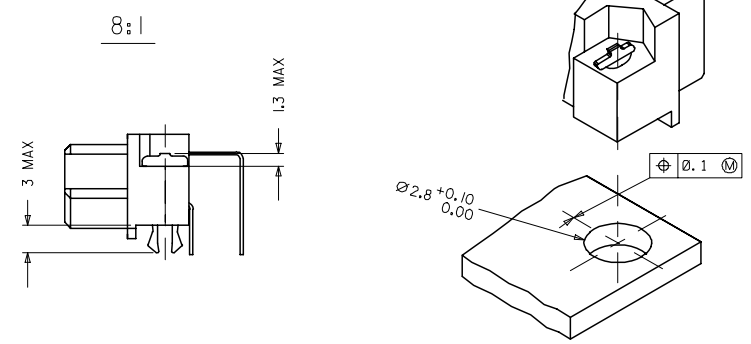


RECOMMENDED PCB LAYOUT
COMPONENT SIDE



WITH MOUNTING CLIPS



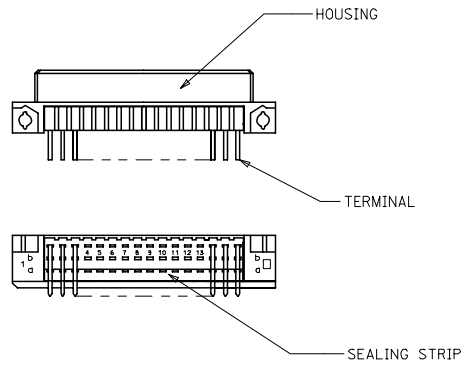
- NOTES:
- MATERIALS: THERMOPLASTIC POLYESTER, GLASS FILLED, UL94V-0. COLOUR: PEBBLE GREY RAL 7032
TERMINAL - PHOSPHOR BRONZE
MOUNTING CLIP: STEEL
 - FINISH: TERMINAL:-
CONTACT AREA
1. PERFORMANCE LEVEL 1: SELECTIVE GOLD (Au), THICKNESS = 1.1 MICROMETER OVER NICKEL, THICKNESS = 1.25 MICROMETER
2. PERFORMANCE LEVEL 2: SELECTIVE GOLD (Au), THICKNESS = 0.6 MICROMETER OVER NICKEL, THICKNESS = 1.25 MICROMETER
3. PERFORMANCE LEVEL 3: SELECTIVE GOLD (Au), THICKNESS = 0.3 MICROMETER OVER NICKEL, THICKNESS = 1.25 MICROMETER
TERMINATION AREA:
SELECTIVE TIN, THICKNESS = 2.5 MICROMETER OVER NICKEL, THICKNESS = 1.25 MICROMETER OVERALL
 - MOUNTING CLIP:-
TIN (Sn), THICKNESS = 5-10 MICROMETER, OVER NICKEL (Ni), THICKNESS = 2.5 MICROMETER
 - FOR NON MOUNTING CLIP OPTION, CONNECTOR TO BE SECURED WITH RIVETS: 2 TUBULAR RIVETS 2.5 x 0.3 ... DIN 7340
SCREWS: 2 CHEESEHEAD SCREWS M2.5 x ... DIN 84 AND 2 HEXAGONAL NUTS M2.5 DIN 934
 - MATERIAL NUMBER, BATCH CODE, UL AND CSA MARKING TO BE PRINTED ON THE CONNECTOR
 - CUT FACE OF TIP WITHOUT PLATING PERMITTED
 - PRODUCT SPECIFICATION : PS-36509-001

RoHS COMPLIANT

EC No: P007-0044 DRWNGSATTI/MARAD 2006/10/10 CHKDSSDHR 2006/10/11 APPR:SSDHR 2006/10/15	QUALITY SYMBOLS ▽=0 ▽=0	GENERAL TOLERANCES (UNLESS SPECIFIED)		DIMENSION STYLE MM ONLY	SCALE 2:1	DESIGN UNITS METRIC	THIRD ANGLE PROJECTION
		4 PLACES ± --- ± --- 3 PLACES ± 0.05 ± --- 2 PLACES ± 0.1 ± --- 1 PLACE ± 0.15 ± ---	INCH ± --- ± --- ± ---	DRAWN BY SS DATE 1999/09/24	CHECKED BY GJLOWE DATE 1999/09/24	APPROVED BY GJLOWE DATE 1999/09/24	ASSEMBLY, DIN 41612 R/2 FEMALE, 32 POS A+C LOADED
D1	DRAFT WHERE APPLICABLE MUST REMAIN WITHIN DIMENSIONS	MATERIAL NO. SEE CHART	DOCUMENT NO. SD-36510-002	MOLEX INCORPORATED		SHEET NO. 1 OF 2	

	20	19	18	17	16	15	14	13	12	11	10	9	8	7	6	5	4	3	2	1
	MATERIAL No	MOLEX ENG No	PERF LEVEL	PLATING	CONTACT SEQUENCE/ROW	MOUNTING CLIP	SEALING STRIP													
M	36510-0025	MM-B2400-R483	1	Au+Ni	1,2,3....16 a+c	NO	NO													
	36510-0026	MM-B2500-R483	2	Au+Ni	1,2,3....16 a+c	NO	NO													
	36510-0027	MM-B2600-R483	3	Au+Ni	1,2,3....16 a+c	NO	NO													
L																				
	36510-0031	MM-B2400-R413	1	Au+Ni	1,2,3....16 a+c	YES	NO													
	36510-0032	MM-B2500-R413	2	Au+Ni	1,2,3....16 a+c	YES	NO													
K	36510-0033	MM-B2600-R413	3	Au+Ni	1,2,3....16 a+c	YES	NO													
	36510-0037	MM-B2400-R483-101	1	Au+Ni	1,2,3....16 a+c	NO	YES													
J	36510-0038	MM-B2500-R483-101	2	Au+Ni	1,2,3....16 a+c	NO	YES													
	36510-0039	MM-B2600-R483-101	3	Au+Ni	1,2,3....16 a+c	NO	YES													
	36510-0043	MM-B2400-R413-101	1	Au+Ni	1,2,3....16 a+c	YES	YES													
	36510-0044	MM-B2500-R413-101	2	Au+Ni	1,2,3....16 a+c	YES	YES													
	36510-0045	MM-B2600-R413-101	3	Au+Ni	1,2,3....16 a+c	YES	YES													
H																				

CONNECTOR WITH SEALING STRIP



RoHS COMPLIANT

EC No: 2007/0044 DRAWING: DRWINGATTI/MARAD 2006/10/10 CHECKED BY: CHKGD/SUDHIR 2006/10/11 APPROVED BY: APPR/SSUDHIR 2006/10/15	QUALITY SYMBOLS	GENERAL TOLERANCES (UNLESS SPECIFIED)	DIMENSION STYLE	SCALE	DESIGN UNITS	THIRD ANGLE PROJECTION																	
	$\nabla=0$ $\nabla=0$	<table border="1"> <tr> <th></th> <th>mm</th> <th>INCH</th> </tr> <tr> <td>4 PLACES</td> <td>± 0.15</td> <td>± 0.005</td> </tr> <tr> <td>3 PLACES</td> <td>± 0.05</td> <td>± 0.002</td> </tr> <tr> <td>2 PLACES</td> <td>± 0.1</td> <td>± 0.004</td> </tr> <tr> <td>1 PLACE</td> <td>± 0.15</td> <td>± 0.006</td> </tr> </table>		mm	INCH	4 PLACES	± 0.15	± 0.005	3 PLACES	± 0.05	± 0.002	2 PLACES	± 0.1	± 0.004	1 PLACE	± 0.15	± 0.006	MM ONLY	2:1	METRIC			
		mm	INCH																				
	4 PLACES	± 0.15	± 0.005																				
3 PLACES	± 0.05	± 0.002																					
2 PLACES	± 0.1	± 0.004																					
1 PLACE	± 0.15	± 0.006																					
DESCRIPTION	DRAFT WHERE APPLICABLE MUST REMAIN WITHIN DIMENSIONS	<table border="1"> <tr> <th>DRAWN BY</th> <th>DATE</th> <th>TITLE</th> </tr> <tr> <td>SS</td> <td>1999/09/24</td> <td>ASSEMBLY, DIN 41612 R/2 FEMALE, 32 POS A+C LOADED</td> </tr> <tr> <th>CHECKED BY</th> <th>DATE</th> <th></th> </tr> <tr> <td>GJLOWE</td> <td>1999/09/24</td> <td></td> </tr> <tr> <th>APPROVED BY</th> <th>DATE</th> <th></th> </tr> <tr> <td>GJLOWE</td> <td>1999/09/24</td> <td></td> </tr> </table>	DRAWN BY	DATE	TITLE	SS	1999/09/24	ASSEMBLY, DIN 41612 R/2 FEMALE, 32 POS A+C LOADED	CHECKED BY	DATE		GJLOWE	1999/09/24		APPROVED BY	DATE		GJLOWE	1999/09/24		MOLEX INCORPORATED		
DRAWN BY	DATE	TITLE																					
SS	1999/09/24	ASSEMBLY, DIN 41612 R/2 FEMALE, 32 POS A+C LOADED																					
CHECKED BY	DATE																						
GJLOWE	1999/09/24																						
APPROVED BY	DATE																						
GJLOWE	1999/09/24																						
REV	D1		MATERIAL NO. SEE CHART	DOCUMENT NO. SD-36510-002	SHEET NO. 2 OF 2																		