

All rights reserved worldwide. Names and marks appearing herein are either registered trademarks or trademarks of FLIR Systems and/or its subsidiaries. All other trademarks, trade names or company names referenced herein are used for identification only and are the property of their respective owners.

Document identity

Publ. No.: 1196961

Release: -

Commit: 15419

Language: en-US

Modified: 2014-06-19

Formatted: 2014-06-22

Corporate Headquarters

FLIR Systems, Inc.

27700 SW Parkway Ave.

Wilsonville, OR 97070

USA

Telephone: +1-503-498-3547

Website

<http://www.flir.com>

Customer support

<http://support.flir.com>

Disclaimer

Specifications subject to change without further notice. Camera models and accessories subject to regional market considerations. License procedures may apply. Products described herein may be subject to US Export Regulations. Please refer to exportquestions@flir.com with any questions.

General description	
The 15° lens is a popular lens accessory and provides 1.7x magnification compared to the standard lens. Ideal for small or distant targets such as overhead power lines.	
Imaging and optical data	
Field of view (FOV)	15° × 11.25°
Minimum focus distance	1.2 m (3.93 ft.)
Focal length	30.38 mm (1.2 in.)
Spatial resolution (IFOV)	Depends on the IR resolution of the camera: 1.65 mrad for 160 × 120 pixels 1.32 mrad for 200 × 150 pixels 1.10 mrad for 240 × 180 pixels 0.82 mrad for 320 × 240 pixels
F-number	1.3
Physical data	
Weight	0.092 kg (0.203 lb.), incl. two lens caps
Size (L × D)	24 × 58 mm (1.0 × 2.3 in.)
Shipping information	
• Lens • Lens case	
Packaging, weight	0.35 kg
Packaging, size	175 × 170 × 100 mm
EAN-13	4743254000889
UPC-12	845188000127

Compatible with the following products

- 62103-1101; FLIR T420 (incl. Wi-Fi)
- 62103-1202; FLIR T420
- 62103-1501; FLIR T420bx (incl. Wi-Fi)
- 62103-1602; FLIR T420bx
- 62103-1301; FLIR T440 (incl. Wi-Fi)
- 62103-1402; FLIR T440





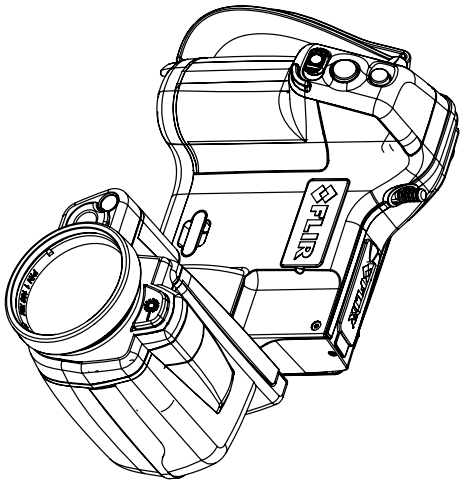
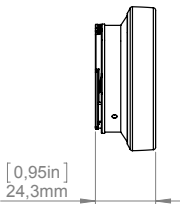
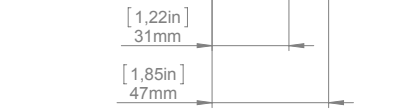
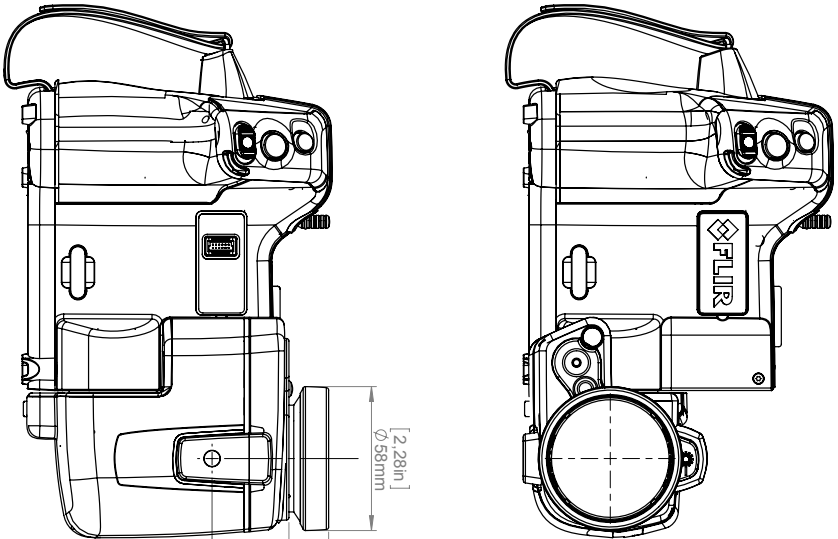
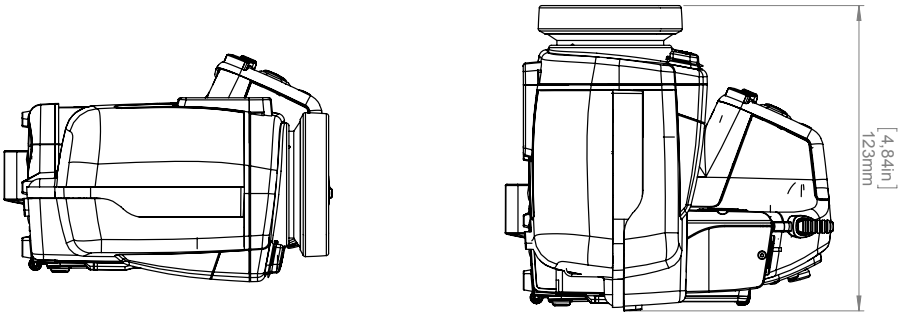
IR lens, f = 30 mm, 15° incl. case

P/N: 1196961

© 2014, FLIR Systems, Inc.
#1196961; r. -/15419; en-US

- 62103-1701; FLIR T440bx (incl. Wi-Fi)
- 62103-1802; FLIR T440bx
- 62104-1903; FLIR T450sc (incl. Wi-Fi)
- 62104-2004; FLIR T450sc
- 48201-1001; FLIR A300
- 42701-1001; FLIR A300 (9 Hz)
- 42701-1101; FLIR A310
- 42701-1101; FLIR A310 (9 Hz)
- 42701-1101; FLIR A310 (9 Hz)
- 48001-1101; FLIR A315
- 42901-1101; FLIR A315 (9 Hz)
- 48201-1201; FLIR A320 Tempscreen
- 42701-1201; FLIR A320 Tempscreen (9 Hz)
- 42901-1001; FLIR A305sc
- 48001-1001; FLIR A325sc
- 64501-0101; FLIR E40 (incl. Wi-Fi)
- 64501-0201; FLIR E50 (incl. Wi-Fi)
- 64501-0702; FLIR E60bx (incl. Wi-Fi)
- 64501-0302; FLIR E60 (incl. Wi-Fi)
- 64501-0402; FLIR E63 (incl. Wi-Fi)
- 64502-0801; FLIR E33
- 64502-1001; FLIR E40
- 64502-1101; FLIR E50
- 64502-1202; FLIR E60

Camera with Lens IR f=30 mm (15°)

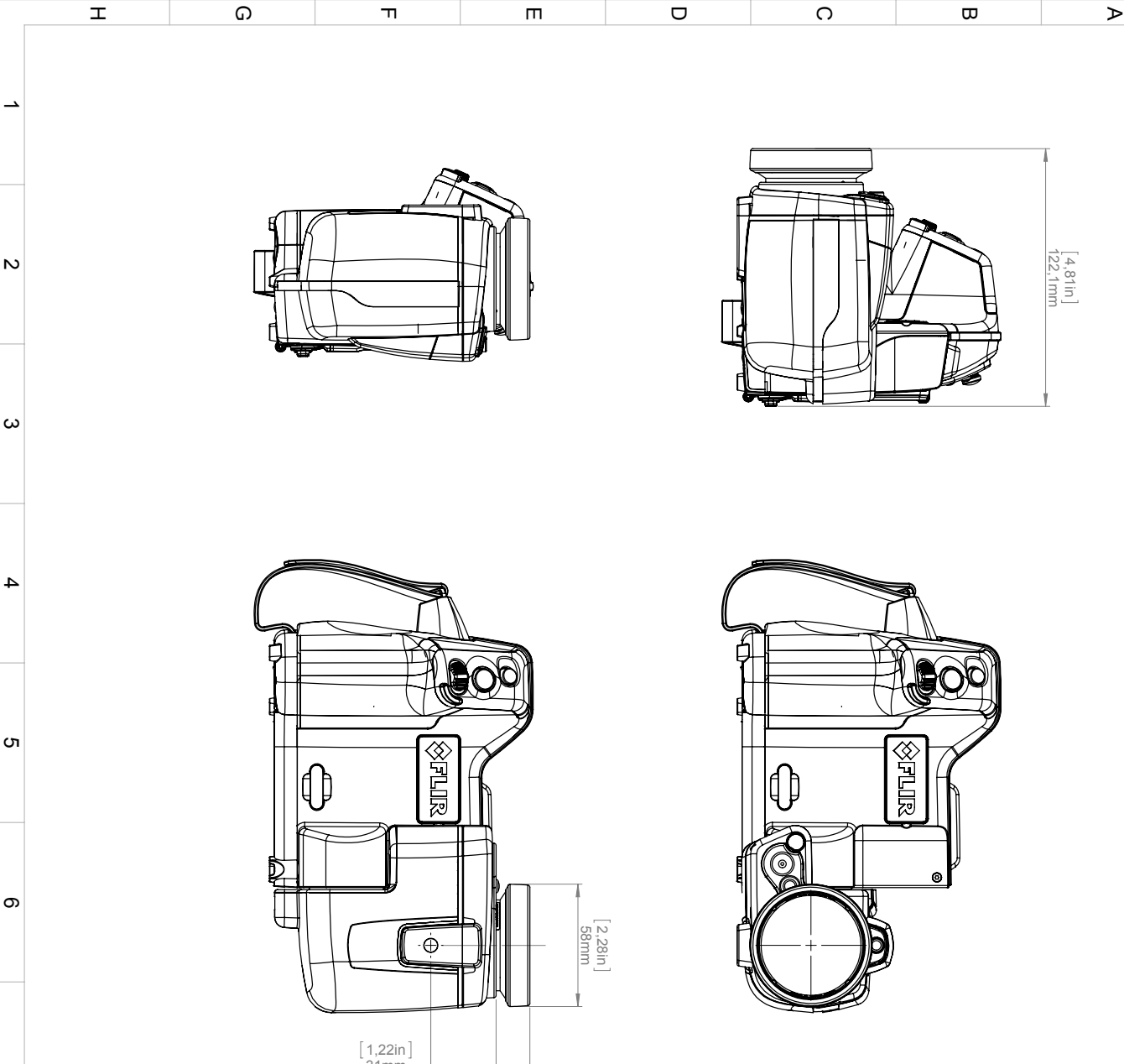
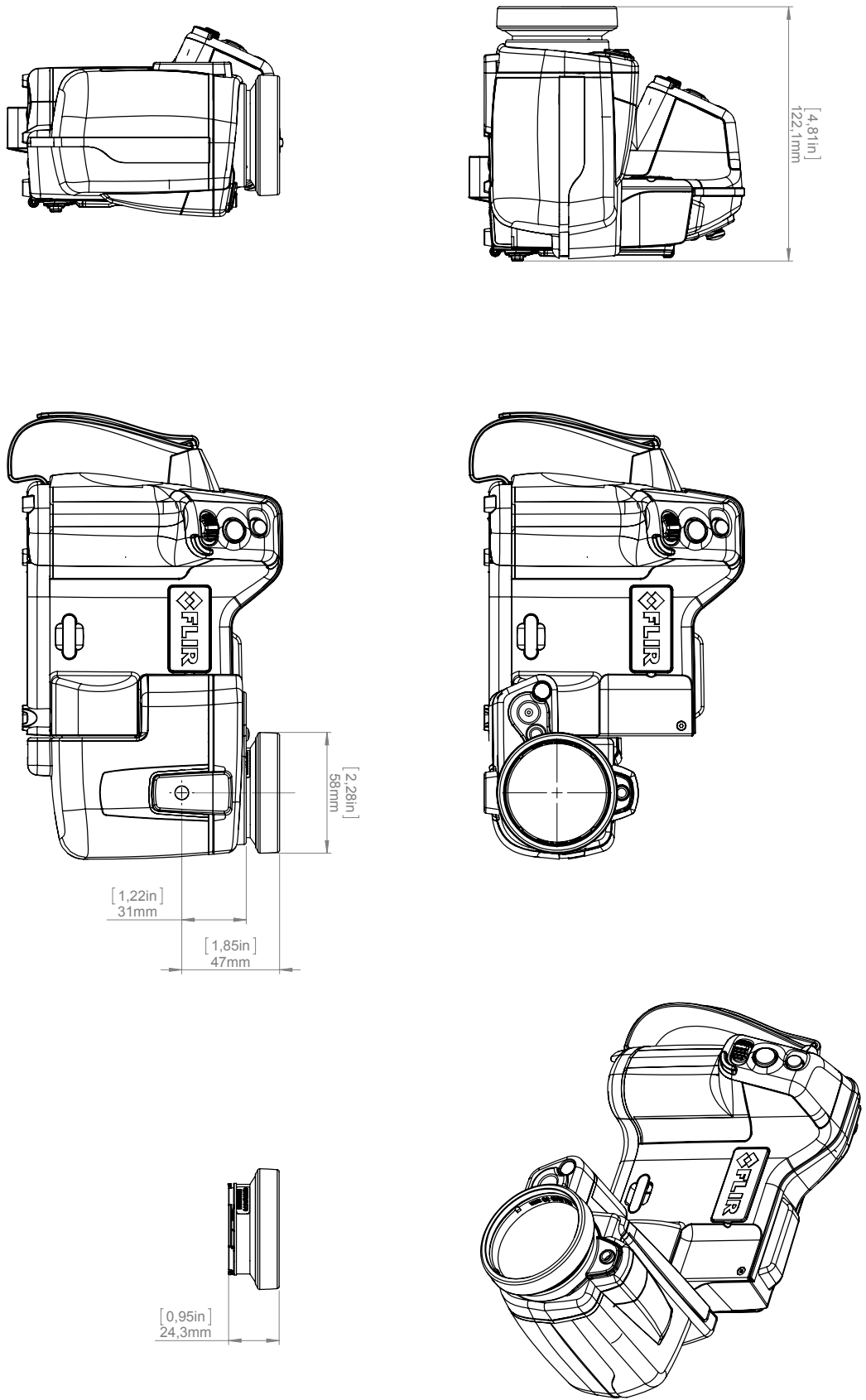


Modified 2012-04-18	Check CAHA	Drawn by R&D Thermography
Denomination Basic dimensions FLIR Txxx/Bxxx		
Size A3	Scale 1:2	Sheet 4(7)
Drawing No. T197905	Size B	

For additional dimensions see page 1



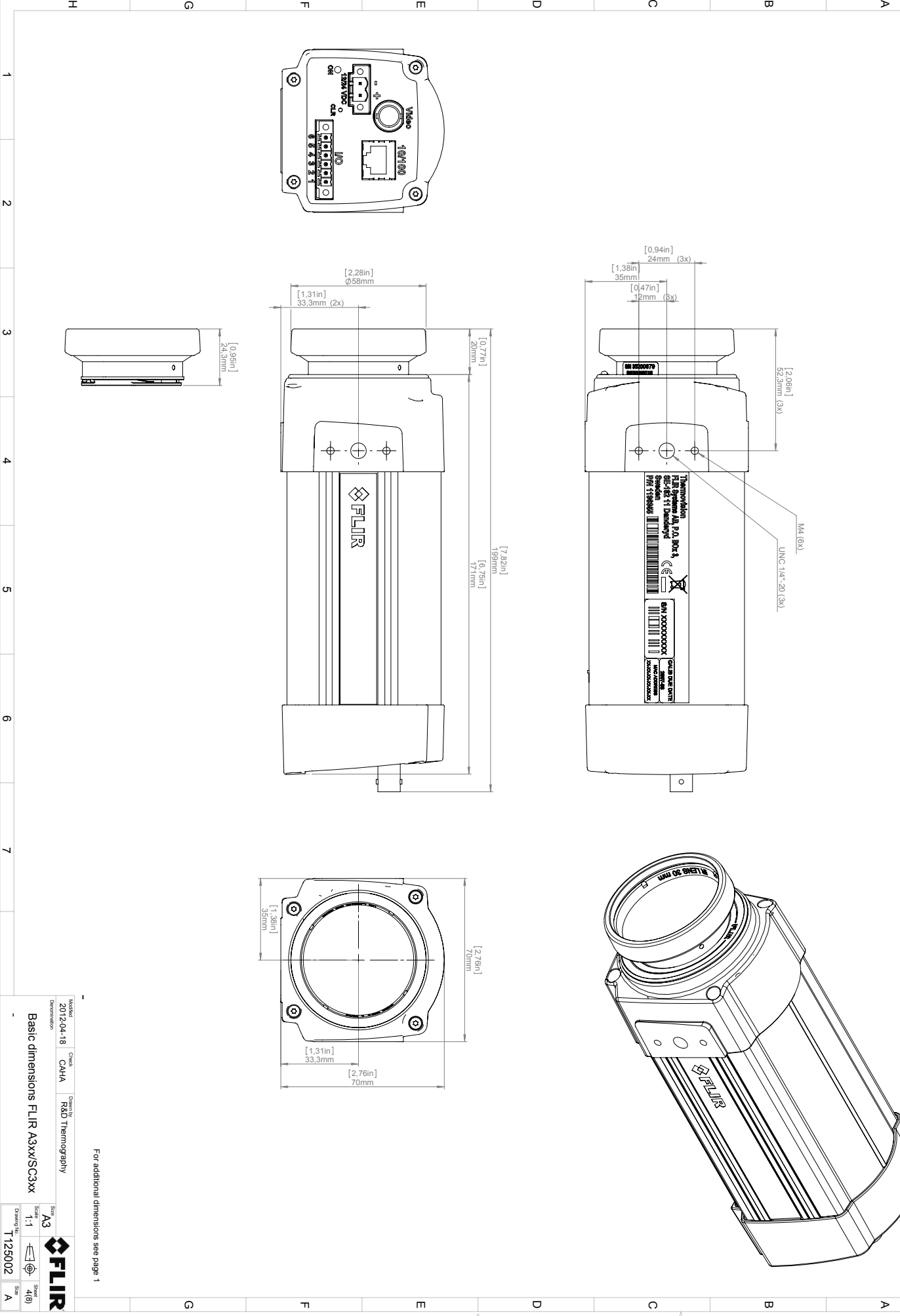
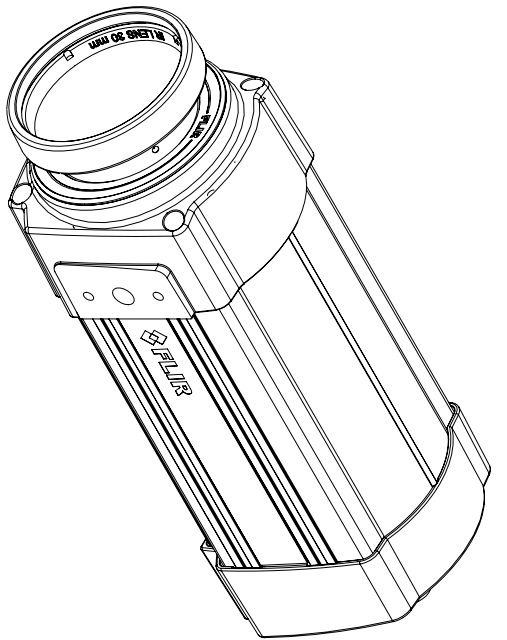
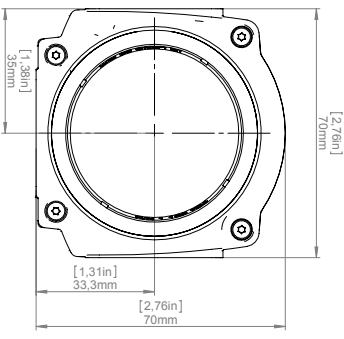
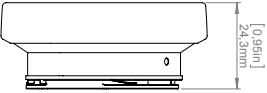
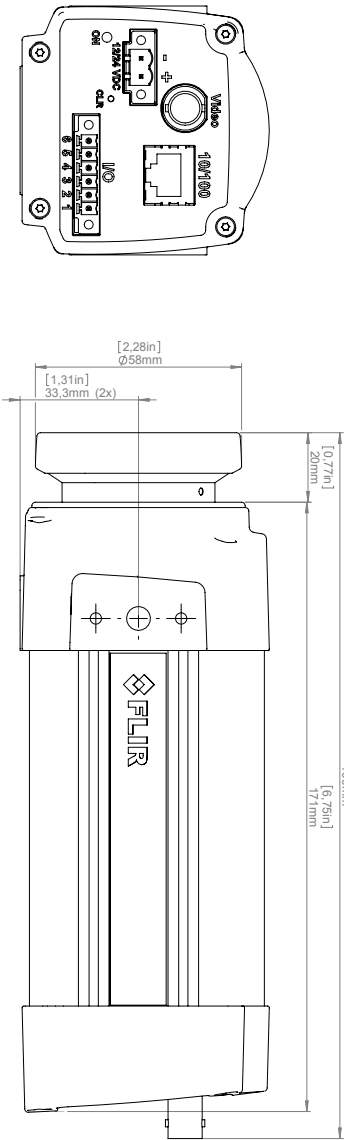
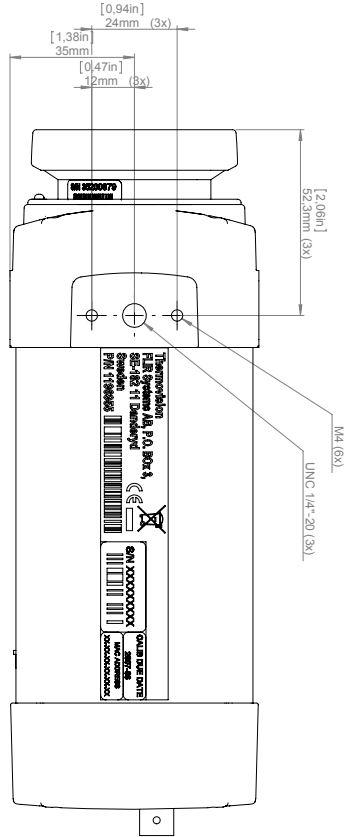
Camera with Lens IR f=30 mm (15°)



Modified 2012-06-07	Check JOTA	Drawn by R&D Thermography
Denomination Basic Dimensions FLIR T4XX		
Size A3	Scale 1:2	Sheet 4(7)
Drawing No. T127604	Size A	



Camera with Lens IR f=30 mm (15°)

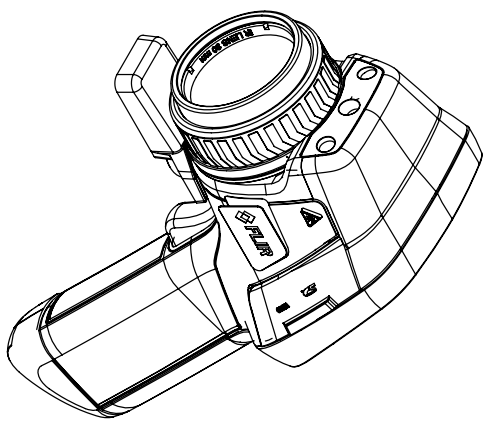
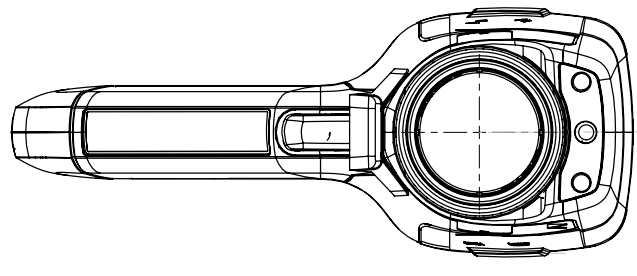
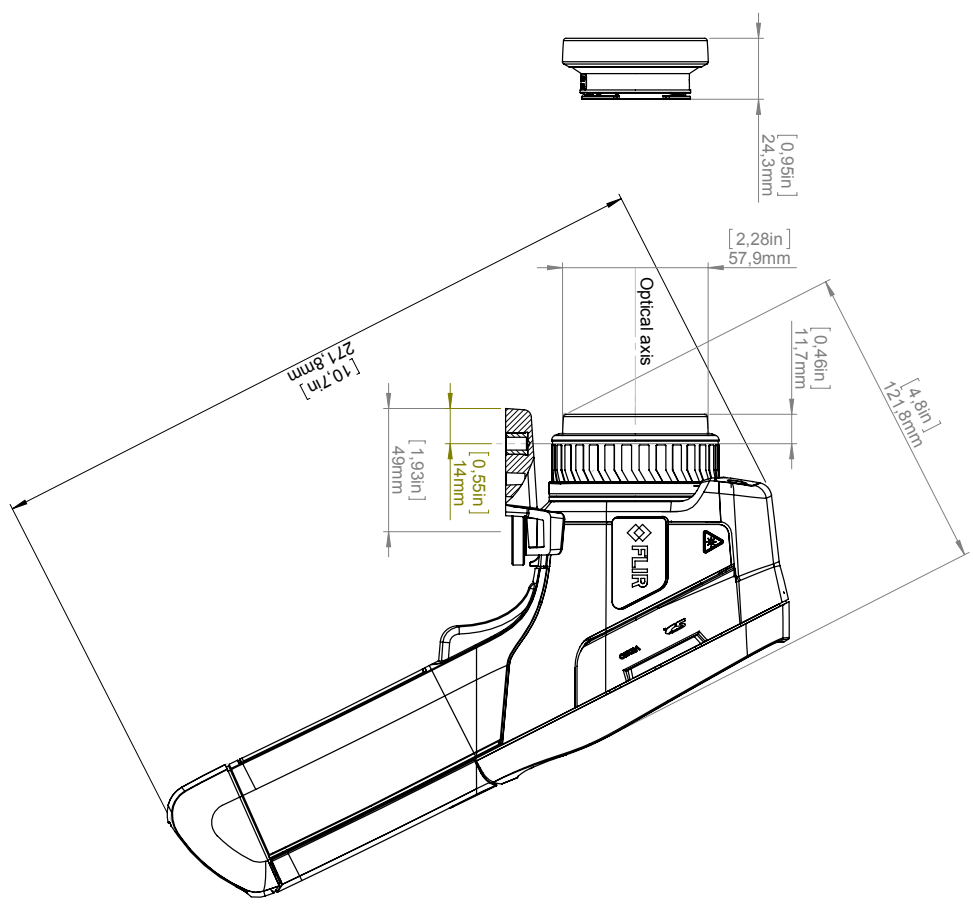


For additional dimensions see page 1

Model	2012-04-18	Check	CAHA	Drawn by	R&D Thermography
Revision	1.1	Scale	1:1	Sheet	4(9)
Part No.	T125002	Size	A3	Sheet	4(9)
Product	Basic dimensions FLIR A3xx/SC3xx	Sheet	A	Sheet	4(9)



Camera with Lens IR f=30 mm (15°)



For additional dimensions see page 1

Modified 2012-04-18	Check CAHA	Drawn by R&D Thermography
Denomination	Basic dimensions FLIR Exx	
Size A3	Scale 1:2	Sheet 3(4)
Drawing No. T 126960	Size A	

