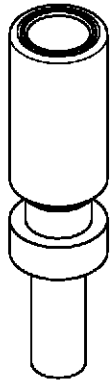
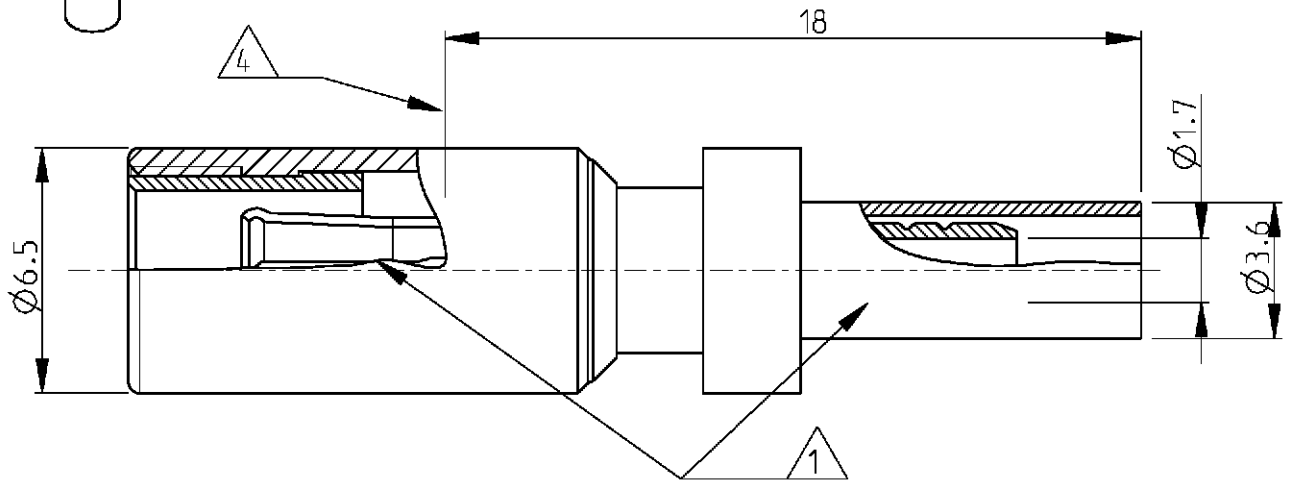


LOC	DIST	REVISIONS				
P	LTR	DESCRIPTION	DATE	DWN	APVD	
GW	-	A1	REVISED PER ECO-17-015071	20OCT2017	AS	RS



2:1

OBSOLETE



- 4 Reference plane
- 3. Cable type : RG179 B/U
- 2. Mating face according to DIN 47297 and CECC 22230
- 1 Supplied as loose part



1:1

V23614-A102-A57	5-1393670-5	Dielectric	PTFE	
		Outer Con.	Cu Be	1µm Au min in contact area
		Center Con.	Brass	1µm Au min in contact area
Old Nr	Tyco Nr	Description	Material	Plating

2000

RELEASED FOR PUBLICATION

THIS DRAWING IS UNPUBLISHED.

BY TYCO ELECTRONICS CORPORATION. ALL RIGHTS RESERVED.

© COPYRIGHT 2000

DIMENSIONS:		DWN	02APR2001	MATERIAL	FINISH
mm		MOROBE		-	-
TOLERANCES UNLESS OTHERWISE SPECIFIED:		CHR	4apr2001	Tyco Electronics Oostkamp - Belgium	
0 PLC ±		MATTHEEUWS			
1 PLC ±0.5		APVD	5APR2001		
2 PLC ±0.13		BOZZER		NAME	
3 PLC ±0.013		PRODUCT SPEC	108-71032	CABLE PLUG	
4 PLC ±0.0001		APPLICATION SPEC	114-71009	1.0/2.3 75 Ohm	
ANGLES ±		WEIGHT	-	SIZE	RESTRICTED TO
				A 4	-
				CAGE CODE	
				00779	
				DRAWING NO	
				©=5-1393670-5	
				SCALE	
				5/1	
				SHEET	
				1	
				OF	
				1	
				REV	
				A1	