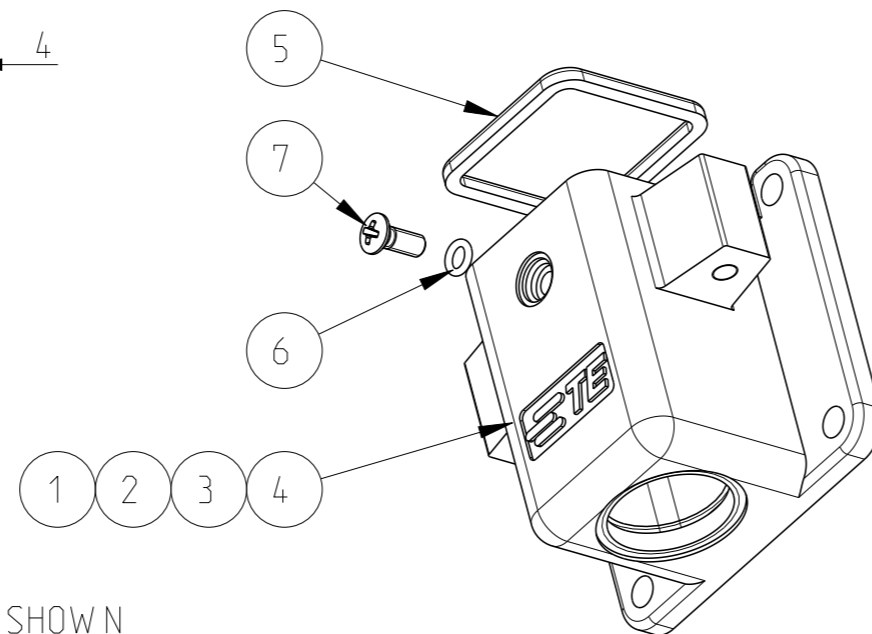
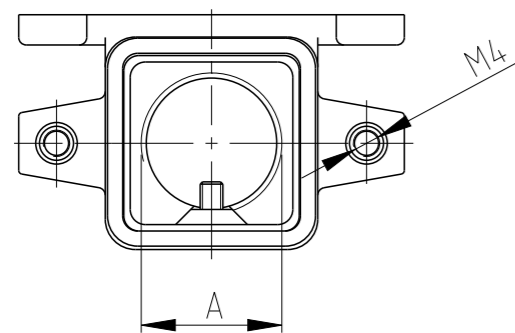
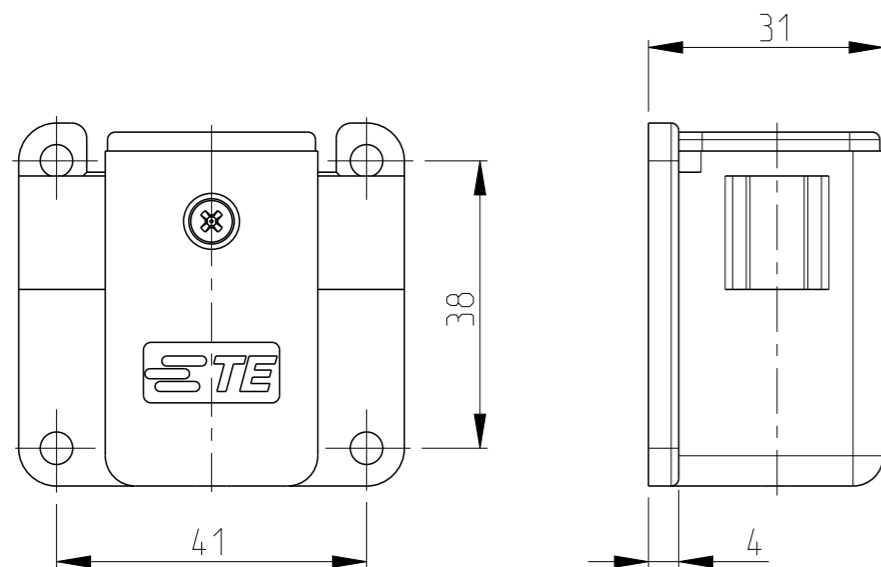


P	LTR	DESCRIPTION	DATE	DWN	APVD
	C2	ECR-21-123464	07MAR2022	RK	JB



PN 3-5 AS SHOWN


Notes

- 1 SUITABLE HOUSINGS: SERIES EMV, SIZE 1
CUSTOMER DRAWING 1102700, 1106402, 1106200
- 2 STANDARDS:
DIN EN 61984, DIN EN 60664-1
- 3 SUR TEC 650 CHROMIT AL TCP PASSIVATION
- 4 PN 0-3 AND 0-1 WITHOUT PROFILE SEAL
- 5 TOOL:
PHILLIPS SCREWDRIVER PH1.
- 6 VARNISH ON INSIDE AREA NOT NECESSARY
- 7 PACKAGING:
10 SETS IN A CARTON.

OBSOLETE	0-1102701-1	EMV-K.3/4.SG.1.13.G
OBSOLETE	0-1102701-3	EMV-K.3/4.SG.1.11.G-S0
	4-1102701-5	EMV-K.3/4.SG.1.11.G
OBSOLETE	3-1102701-5	EMV.3/4.SG.1.11.G
	PART NO.	ORDERING TEXT

QTY	QTY	QTY	QTY	DESCRIPTION	"A"	MATERIAL	COLOR/SURFACE	NOTE	ITEM
1	1	1	1	SCREW COUNTERSUNK RAISED HEAD		STAINL. STEEL V2A	-	M3x8 PH1 DIN EN ISO 7047	7
1	1	1	1	O - RING		NBR	BLACK	3.0x1.0	6
-	-	1	1	PROFILE SEAL		FKM	BLACK	SERIES EMV / HIP	5
1	-	-	-	ANGLED BULKHEAD HOUSING	PG13	ALU	BLACK SEE NOTE 3	SERIES EMV-K	4
-	1	1	-	ANGLED BULKHEAD HOUSING	PG11	ALU	BLACK SEE NOTE 3	SERIES EMV-K	2
-	-	-	1	ANGLED BULKHEAD HOUSING	PG11	ALU	GREY	SERIES EMV	1
0-1	0-3	4-5	3-5						
PN/QTY				DESCRIPTION	"A"	MATERIAL	COLOR/SURFACE	NOTE	ITEM

PARTS LIST (PER ONE UNIT)

THIS DRAWING IS A CONTROLLED DOCUMENT.		DWN V.GLUMM 26AUG2009	 TE Connectivity NAME ANGLD BULKHEAD HOUSING ASS'Y SIDE ENTRY, SERIES EMV, SIZE 1	RESTRICTED TO		
DIMENSIONS: mm		CHK H.Braun 26AUG2009		SIZE	CAGE CODE	DRAWING NO
TOLERANCES UNLESS OTHERWISE SPECIFIED:		APVD T.Schnurpfeil 26AUG2009		A3	00779	C-1102701
0 PLC ± 1 PLC ± 2 PLC ± 3 PLC ± 4 PLC ± ANGLES ±1°		PRODUCT SPEC		SCALE 1:1 SHEET 1 OF 1 REV C2		
MATERIAL		FINISH	WEIGHT		CUSTOMER DRAWING	