

注記
NOTE

- △ 1. 材質および仕上げ(めっき仕様) : TABLE1 参照
MATERIAL AND FINISH: SEE TABLE 1
- 2. 製品仕様書 : PS-87437-001
PRODUCT SPECIFICATION : PS-87437-001
- 3. 製品取扱説明書 : 874370000-AS
APPLICATION SPECIFICATION : 874370000-AS
- 4. テール平坦度 : 0.1以下
TAIL COPLANARITY TO BE 0.1 MAX.
- △ 5. 嵌合相手 : 87439シリーズ (リセプタクルハウジング), 87421シリーズ (圧着端子)
MATE WITH 87439 SERIES (RECEPTACLE HOUSING) AND 87421 SERIES (CRIMP TERMINAL).
- 6. 本製品は錫めっき品である。金めっき品は202705シリーズを参照。
THIS PRODUCT IS TIN PLATING.
FOR GOLD PLATING, REFER TO 202705 SERIES.

21.2	22.8	21.0	23.8	87437-15*1	15
19.7	21.3	19.5	22.3	87437-14*1	14
18.2	19.8	18.0	20.8	87437-13*1	13
16.7	18.3	16.5	19.3	87437-12*1	12
15.2	16.8	15.0	17.8	87437-11*1	11
13.7	15.3	13.5	16.3	87437-10*1	10
12.2	13.8	12.0	14.8	87437-09*1	9
10.7	12.3	10.5	13.3	87437-08*1	8
9.2	10.8	9.0	11.8	87437-07*1	7
7.7	9.3	7.5	10.3	87437-06*1	6
6.2	7.8	6.0	8.8	87437-05*1	5
4.7	6.3	4.5	7.3	87437-04*1	4
3.2	4.8	3.0	5.8	87437-03*1	3
1.7	3.3	1.5	4.3	87437-02*1	2
D	C	B	A	ヘッダー番号 HEADER NO.	極数 CIRCUIT SIZE

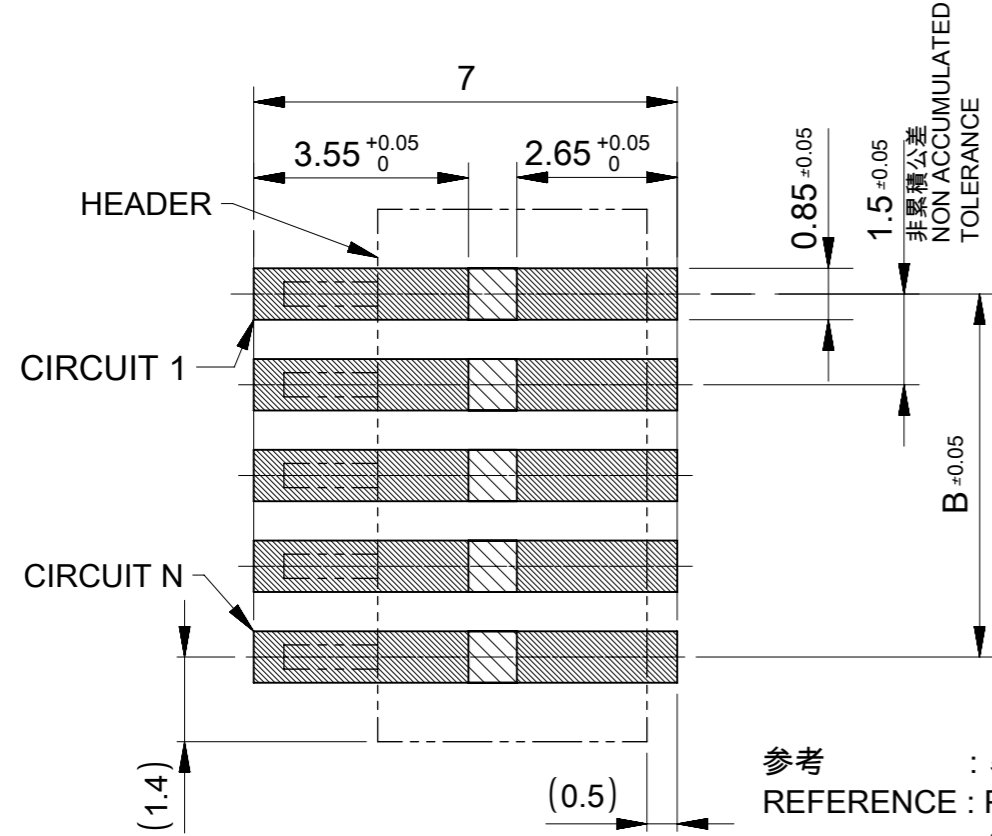
△ 1 TABLE1

番号 No.	部品 PART	材質 MATERIAL	
①	ハウジング HOUSING	ナイロン, UL94-V0, 色 : 自然色(ベージュ) / 黒 NYLON (PA), UL94-V0, COLOR : NATURAL(BEIGE) / BLACK	
②	キャップ CAP	ナイロン, UL94-V0, 色 : ベージュ NYLON (PA), UL94-V0, COLOR : BEIGE	
③	ターミナル TERMINAL	材料 MATERIAL	黄銅 BRASS
		下地めっき UNDER PLATING	ニッケルめっき 1.27マイクロメートル以上 NICKEL PLATING 1.27micro-meter MIN
		接点部、テール CONTACT AND TAIL	無光沢錫めっき 2.54マイクロメートル以上 MATTE TIN PLATING 2.54 micro-meter MIN


THIS DRAWING CONTAINS INFORMATION THAT IS PROPRIETARY TO MOLEX ELECTRONIC TECHNOLOGIES, LLC AND SHOULD NOT BE USED WITHOUT WRITTEN PERMISSION


DIMENSION UNITS mm	SCALE 8:1	CURRENT REV DESC: REDRAWN AND REVISED	molex		
GENERAL TOLERANCES (UNLESS SPECIFIED)		EC NO: 605982			
ANGULAR TOL ± 3.0°	4 PLACES ± 0.2	DRWN: RTANAKA02 2018/11/21	PRODUCT CUSTOMER DRAWING		
3 PLACES ± 0.2	2 PLACES ± 0.2	CHK'D: AIDA 2019/04/26	DOCUMENT NUMBER		
1 PLACE ± 0.2	0 PLACES ± 0.2	APPR: SAKIYAMA 2019/04/26	874370231-SD		
DRAFT WHERE APPLICABLE MUST REMAIN WITHIN DIMENSIONS		INITIAL REVISION:	DOC TYPE	DOC PART	REVISION
THIRD ANGLE PROJECTION		DRWN: RTANAKA02 2018/11/21	PSD	000	A
DRAWING		APPR: SAKIYAMA 2019/04/26	SHEET NUMBER		
A3-SIZE		SERIES	1 OF 4		
87437		MATERIAL NUMBER	GENERAL		
SEE SHEET 4		CUSTOMER			

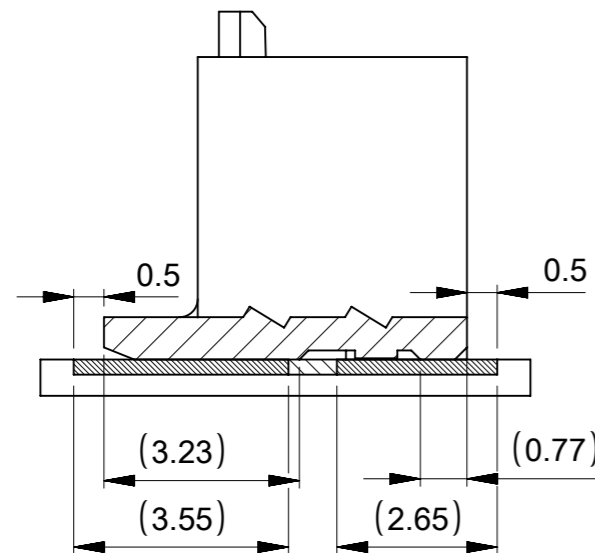
推奨基板レイアウト
RECOMMENDED PCB LAYOUT



参考 : 基板厚 1.0mm
REFERENCE : PCB THICKNESS 1.0mm
メタルマスク厚 0.12mm
STENCIL THICKNESS 0.12mm
マスク開口率100%
APERTURE RATIO 100%.

 : 半田エリア (パターンエリア)
SOLDER AREA (COPPER ZONE)

 : 半田禁止エリア (パターン禁止エリア)
SOLDER KEEP OUT AREA (NO-COPPER ZONE)
半田上がりを防ぐため。
TO PREVENT SOLDER LIFTING.
レジストによって分離する場合は、パターン面よりも盛り上がらないこと。
IF APPLY RESIST IN THIS AREA, LEVEL AS PATTERN AREA FACE.

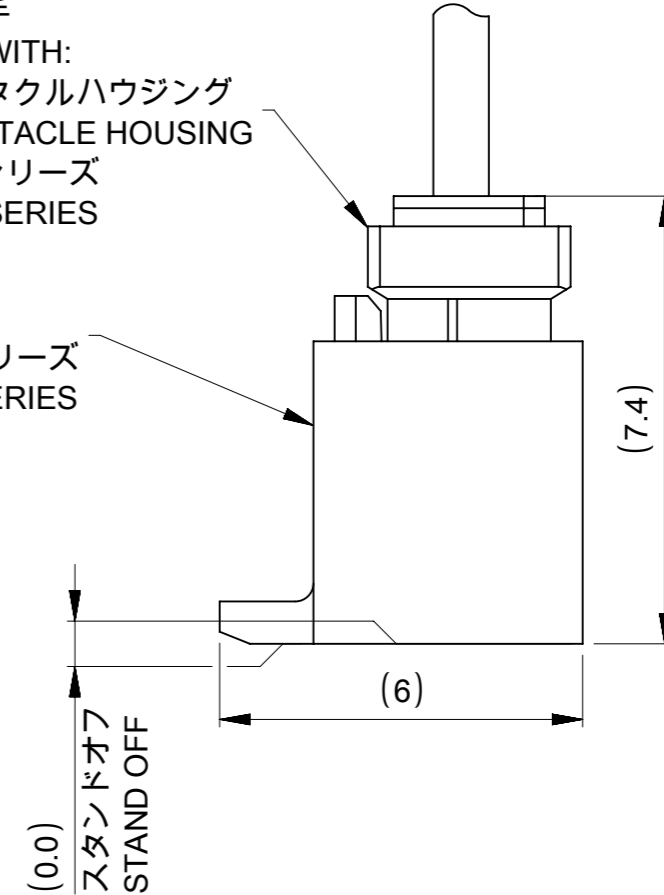


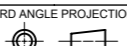
SECTION Z-Z

5 嵌合図
MATED CONNECTORS

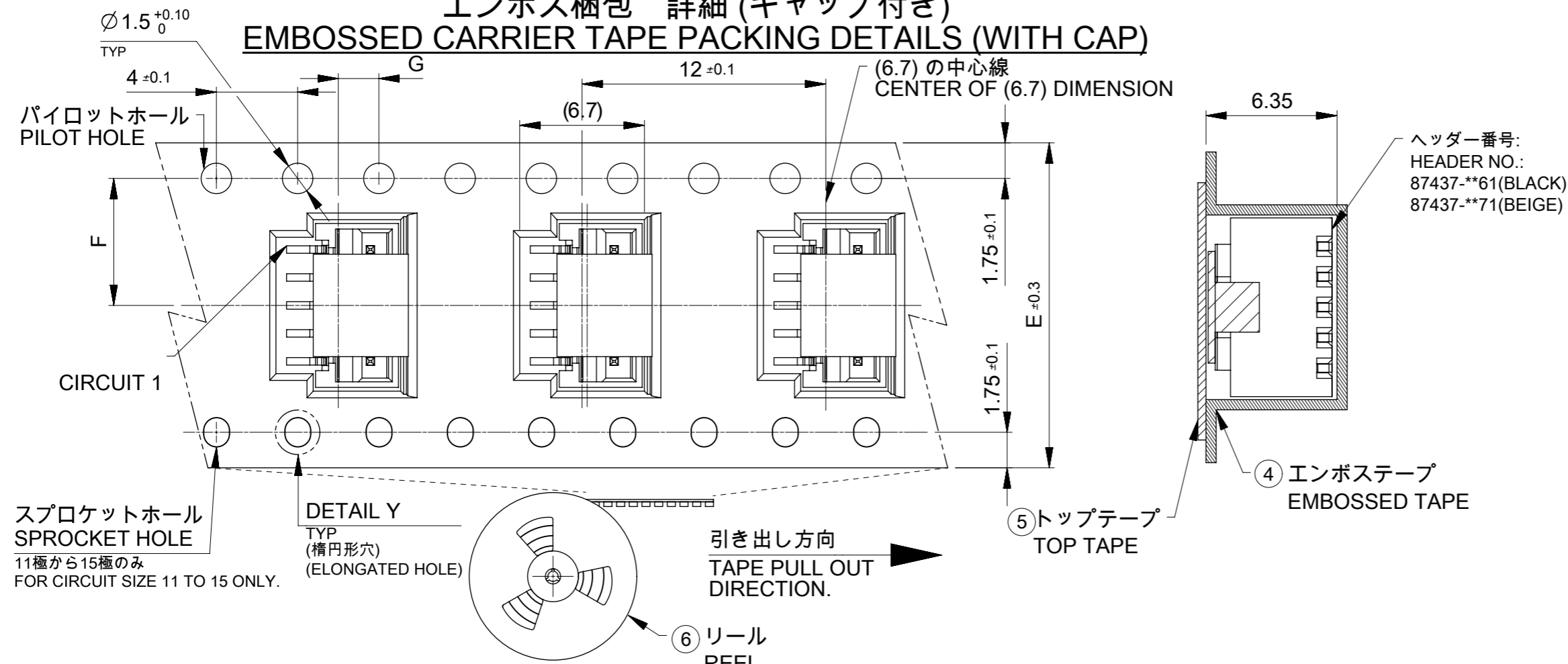
嵌合相手
MATE WITH:
レセプタクルハウジング
RECEPTACLE HOUSING
87439シリーズ
87439 SERIES

ヘッダー
HEADER
87437シリーズ
87437 SERIES



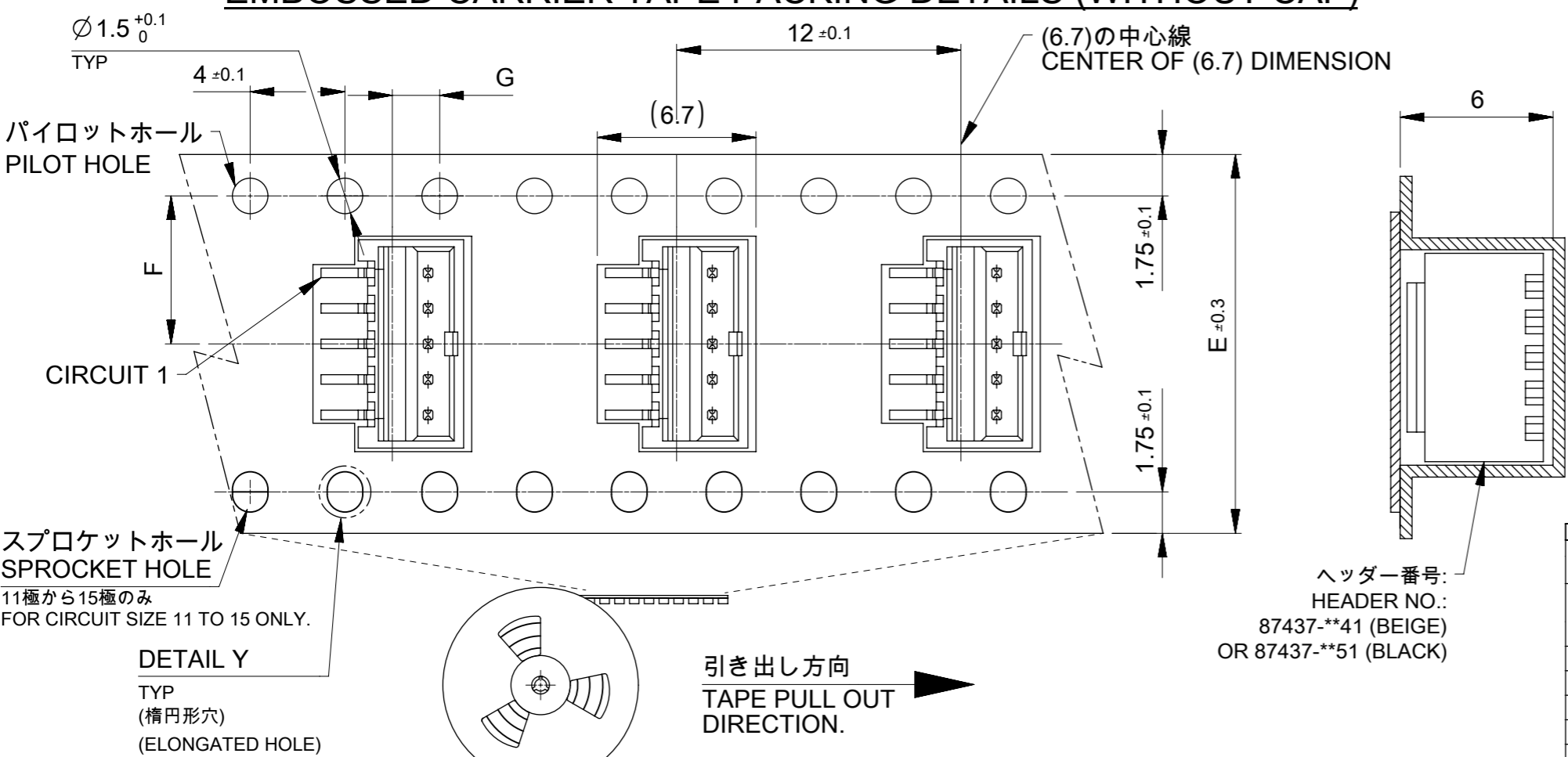
THIS DRAWING CONTAINS INFORMATION THAT IS PROPRIETARY TO MOLEX ELECTRONIC TECHNOLOGIES, LLC AND SHOULD NOT BE USED WITHOUT WRITTEN PERMISSION									
DIMENSION UNITS	SCALE	CURRENT REV DESC: REDRAWN AND REVISED			molex				
mm	8:1								
GENERAL TOLERANCES (UNLESS SPECIFIED)		EC NO: 605982			PICO-SPOX 1.5 W/B CONN VERTICAL HEADER ASSY (SMT TIN PLATING VERSION)				
ANGULAR TOL	± 3.0°	DRWN: RTANAKA02	2018/11/21		PRODUCT CUSTOMER DRAWING				
4 PLACES	± 0.2	CHK'D: AIDA	2019/04/26						
3 PLACES	± 0.2	APPR: SAKIYAMA	2019/04/26		DOCUMENT NUMBER: 874370231-SD DOC TYPE: PSD DOC PART: 000 REVISION: A				
2 PLACES	± 0.2	INITIAL REVISION:							
1 PLACE	± 0.2	DRWN: RTANAKA02	2018/11/21		MATERIAL NUMBER: SEE SHEET 4 CUSTOMER: GENERAL SHEET NUMBER: 2 OF 4				
0 PLACES	± 0.2	APPR: SAKIYAMA	2019/04/26						
DRAFT WHERE APPLICABLE MUST REMAIN WITHIN DIMENSIONS	THIRD ANGLE PROJECTION	DRAWING	SERIES	MATERIAL NUMBER		CUSTOMER		SHEET NUMBER	
		A3-SIZE	87437	SEE SHEET 4		GENERAL		2 OF 4	

エンボス梱包 詳細 (キャップ付き) EMBOSSED CARRIER TAPE PACKING DETAILS (WITH CAP)



番号 NO.	部品 PART	材質 MATERIAL
④	エンボステープ EMBOSSED TAPE	ポリスチレン POLYSTYRENE (PS)
⑤	トップテープ TOP TAPE	ポリエチレン POLYETHYLENE (PE)
⑥	リール REEL	ポリスチレン POLYSTYRENE (PS)

エンボス梱包 詳細 (キャップなし) EMBOSSED CARRIER TAPE PACKING DETAILS (WITHOUT CAP)

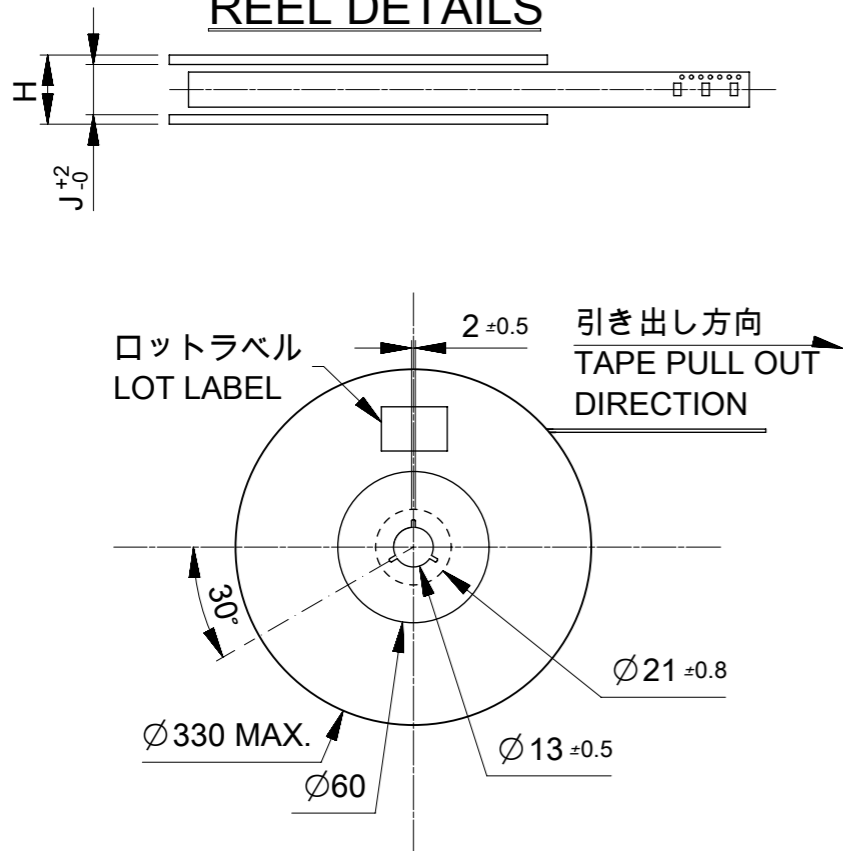


2±0.15	20.2±0.15	44	15
2±0.1	14.2±0.1	32	14
			13
			12
			11
			10
	11.5±0.1	24	9
			8
			7
			6
			5
7.5±0.1	16	4	
		3	
		2	
		極数 CIRCUIT SIZE	
		G	F

THIS DRAWING CONTAINS INFORMATION THAT IS PROPRIETARY TO MOLEX ELECTRONIC TECHNOLOGIES, LLC AND SHOULD NOT BE USED WITHOUT WRITTEN PERMISSION

DIMENSION UNITS mm	SCALE 1:1	CURRENT REV DESC: REDRAWN AND REVISED
GENERAL TOLERANCES (UNLESS SPECIFIED)		molex PICO-SPOX 1.5 W/B CONN VERTICAL HEADER ASSY (SMT TIN PLATING VERSION) PRODUCT CUSTOMER DRAWING
ANGULAR TOL	± 3.0°	
4 PLACES	± 0.2	
3 PLACES	± 0.2	
2 PLACES	± 0.2	
1 PLACE	± 0.2	
0 PLACES	± 0.2	EC NO: 605982 DRWN: RTANAKA02 2018/11/21 CHK'D: AIDA 2019/04/26 APPR: SAKIYAMA 2019/04/26 INITIAL REVISION: DRWN: RTANAKA02 2018/11/21 APPR: SAKIYAMA 2019/04/26
DRAFT WHERE APPLICABLE MUST REMAIN WITHIN DIMENSIONS	THIRD ANGLE PROJECTION	DRAWING A3-SIZE
DOCUMENT STATUS P1	RELEASE DATE 2019/04/26 09:56:14	SERIES 87437
MATERIAL NUMBER SEE SHEET 4		CUSTOMER GENERAL
DOCUMENT NUMBER 874370231-SD		DOC TYPE PSD
DOC PART 000		REVISION A
SHEET NUMBER 3 OF 4		

リール 詳細
REEL DETAILS



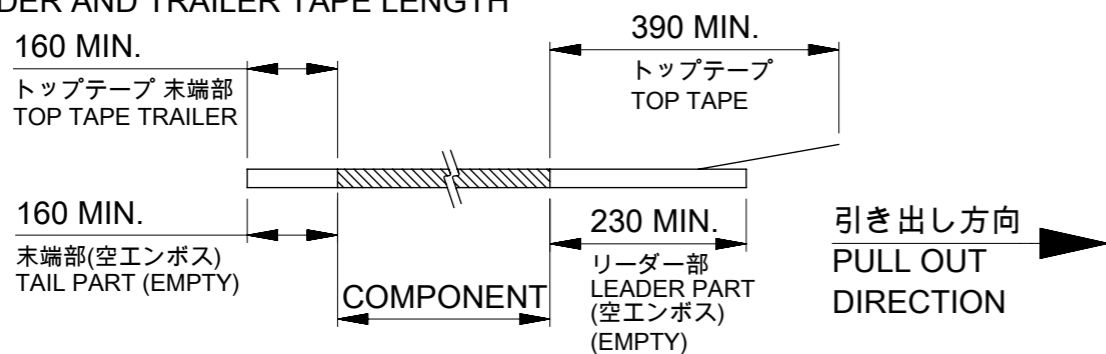
発注番号
ORDER NUMBER
87437- * * * 3

極数 CIRCUIT SIZE
02 から 15 02 TO 15

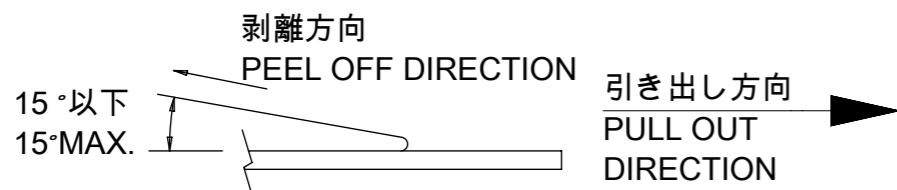
ハウジングカラー, キャップオプション HOUSING COLOR AND CAP OPTION
4: ハウジングカラー : ベージュ, キャップなし BEIGE COLOR HOUSING WITHOUT CAP
5: ハウジングカラー : 黒, キャップなし BLACK COLOR HOUSING WITHOUT CAP
6: ハウジングカラー : 黒, キャップ付き BLACK COLOR HOUSING WITH CAP
7: ハウジングカラー : ベージュ, キャップ付き BEIGE COLOR HOUSING WITH CAP

注記
NOTE

7. リーダー部および末端部テープ長さ
LEADER AND TRAILER TAPE LENGTH



8. トップテープの剥離強度 : IEC60286-3に準拠。
PEELING OFF FORCE OF THE TOP TAPE: DEFINED IEC60286-3.
(剥離方向は下図を参照)
(PEELING DIRECTION AS SHOWN IN FOLLOWING FIGURE)



- 9. EIA-481に準拠する。
PACKAGING STANDARD IS AS PER EIA-481.
- 10. 梱包数量
TAPE & REEL QUANTITY
キャップ付き : 900個/リール
WITH CAP : 900PCS/REEL
キャップなし : 1000個/リール
WITHOUT CAP : 1000PCS/REEL
- 11. 本製品は乾燥剤入りハイバリア梱包での納品となる。
THIS PRODUCT IS DELIVERED IN A HIGH BARRIER PACKAGE WITH DESICCANT.
- 12. 梱包仕様書 : SPK-87437-001
PACKING INFORMATION : SPK-87437-001

44.4	50.4	15
32.4	38.4	14
		13
		12
		11
24.4	30.4	10
		9
		8
		7
16.4	22.4	6
		5
		4
		3
J	H MAX	2
		極数 CIRCUIT SIZE

THIS DRAWING CONTAINS INFORMATION THAT IS PROPRIETARY TO MOLEX ELECTRONIC TECHNOLOGIES, LLC AND SHOULD NOT BE USED WITHOUT WRITTEN PERMISSION									
DIMENSION UNITS	SCALE	CURRENT REV DESC: REDRAWN AND REVISED							
mm	1:1								
GENERAL TOLERANCES (UNLESS SPECIFIED)									
ANGULAR TOL	± 3.0°	PICO-SPOX 1.5 W/B CONN VERTICAL HEADER ASSY (SMT TIN PLATING VERSION)							
4 PLACES	± 0.2	PRODUCT CUSTOMER DRAWING							
3 PLACES	± 0.2	DOCUMENT NUMBER							
2 PLACES	± 0.2	874370231-SD							
1 PLACE	± 0.2	DOC TYPE							
0 PLACES	± 0.2	PSD							
DRAFT WHERE APPLICABLE MUST REMAIN WITHIN DIMENSIONS		THIRD ANGLE PROJECTION		DRAWING	SERIES	MATERIAL NUMBER	CUSTOMER	DOC PART	REVISION
				A3-SIZE	87437	SEE SHEET 4	GENERAL	000	A
									4 OF 4