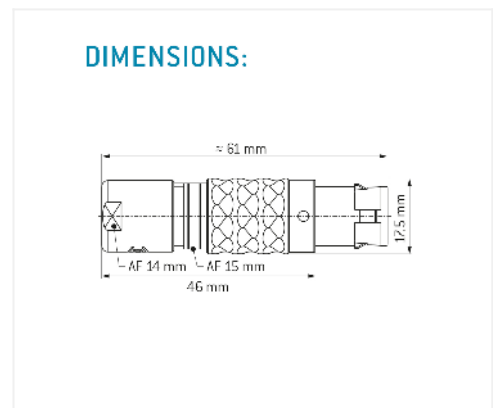
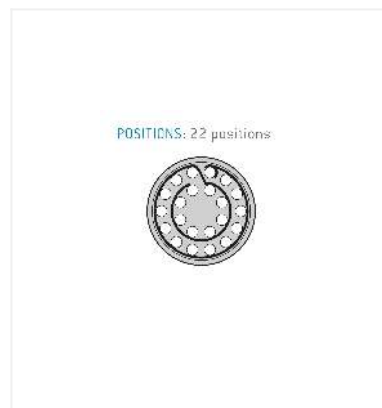


General information

| | |
|-------------------|---------------------|
| Part number | S13LOC-P22NFC0-8200 |
| Termination | crimp |
| Size | 3 |
| Locking principle | push |
| Coding | 0_key |
| Cable Diameter | cable_mini_82 |
| Cable outlet | standard |



Contact insert description

| | |
|--------------------|-----------|
| Number of contacts | 22 |
| Contact type | sockets |
| Contact diameter | 07mm |
| Insulator material | peek |
| Wire cross section | 28-32_awg |
| Termination | crimp |

reverse_gender_on_request

Technical information

| | | |
|--|----------|---------------|
| Max. creepage and air clearance distance | 09_mm | 12_mm |
| Nominal current single contact | 06_a | iec_60512_5_2 |
| Nominal current insert | 2,7 A | vde_0298_4 |
| Test voltage | 11_kv_ac | sae_13441 |

safety_text

Mechanical and environmental data

| | |
|-----------------------|----------|
| Degree of protection* | ip50 |
| Operating temperature | 40_120_c |
| Mating cycles | 5000 |

mated_unmated

Material and surface treatments

| | |
|---------|---------------|
| Housing | m_chrome |
| Contact | cu_alloy_gold |

safety_text_2
ul_text
illustrative_text