

### General Description

The ICS844256D is a Crystal-to-LVDS Clock Synthesizer/Fanout Buffer designed for SONET and Gigabit Ethernet applications. The output frequency can be set using the frequency select pins and a 25MHz crystal for Ethernet frequencies, or a 19.44MHz crystal for SONET. The low phase noise characteristics of the ICS844256D make it an ideal clock for these demanding applications.

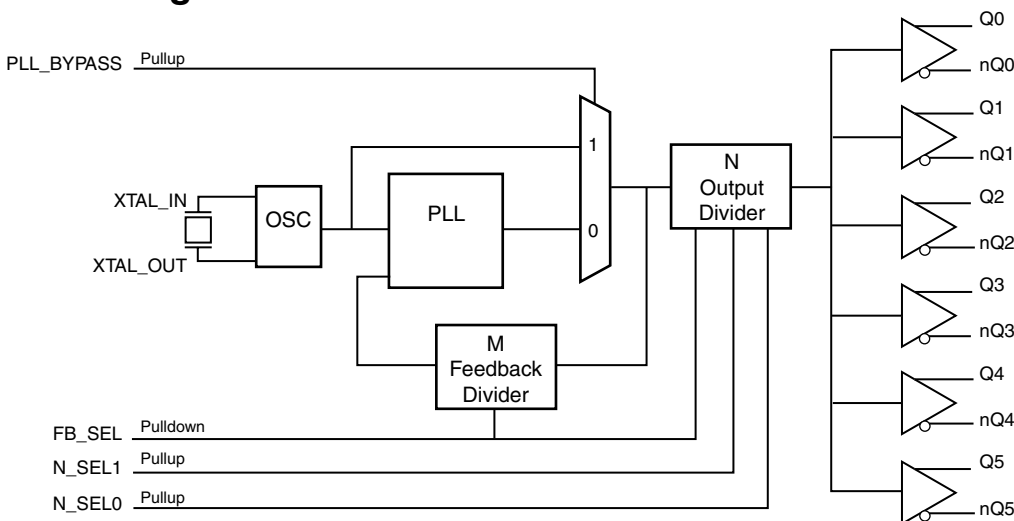
### Features

- Six differential LVDS output pairs
- Crystal oscillator interface
- Output frequency range: 62.5MHz - 625MHz
- Crystal input frequency range: 15.625MHz - 25.5MHz
- RMS phase jitter @ 125MHz, using a 25MHz crystal (1.875MHz – 20MHz): 0.43ps (typical)
- Full 3.3V or mixed 3.3V core, 2.5V output supply mode
- 0°C to 70°C ambient operating temperature
- Available in lead-free (RoHS 6) package

### Divider Function Table

| Inputs |        |        | Function        |                 |                   |
|--------|--------|--------|-----------------|-----------------|-------------------|
| FB_SEL | N_SEL1 | N_SEL0 | M Divider Value | N Divider Value | M/N Divider Value |
| 0      | 0      | 0      | 25              | 1               | 25                |
| 0      | 0      | 1      | 25              | 2               | 12.5              |
| 0      | 1      | 0      | 25              | 4               | 6.25              |
| 0      | 1      | 1      | 25 (default)    | 5               | 5                 |
| 1      | 0      | 0      | 32              | 1               | 32                |
| 1      | 0      | 1      | 32              | 2               | 16                |
| 1      | 1      | 0      | 32              | 4               | 8                 |
| 1      | 1      | 1      | 32              | 8               | 4                 |

### Block Diagram



### Pin Assignment

|            |    |    |          |
|------------|----|----|----------|
| VDD0       | 1  | 24 | Q3       |
| VDD0       | 2  | 23 | nQ3      |
| nQ2        | 3  | 22 | Q4       |
| Q2         | 4  | 21 | nQ4      |
| nQ1        | 5  | 20 | Q5       |
| Q1         | 6  | 19 | nQ5      |
| nQ0        | 7  | 18 | N_SEL1   |
| Q0         | 8  | 17 | GND      |
| PLL_BYPASS | 9  | 16 | GND      |
| VDDA       | 10 | 15 | N_SEL0   |
| VDD        | 11 | 14 | XTAL_OUT |
| FB_SEL     | 12 | 13 | XTAL_IN  |

**ICS844256D**  
**24-Lead TSSOP, E-Pad**  
**4.40mm x 7.8mm x 0.925mm**  
**package body**  
**G Package**  
**Top View**

**Table 1. Pin Descriptions**

| Number | Name              | Type   |          | Description   |
|--------|-------------------|--------|----------|---|
| 1, 2   | V <sub>DDO</sub>  | Power  |          | Output supply pins.   |
| 3, 4   | nQ2, Q2           | Output |          | Differential output pair. LVDS interface levels.  |
| 5, 6   | nQ1, Q1           | Output |          | Differential output pair. LVDS interface levels.  |
| 7, 8   | nQ0, Q0           | Output |          | Differential output pair. LVDS interface levels.  |
| 9      | PLL_BYPASS        | Input  | Pullup   | PLL Bypass. When LOW, the output is driven from the VCO output. When HIGH, the PLL is bypassed and the output frequency = crystal frequency ÷ N output divider. LVCMOS / LVTTTL interface levels. |
| 10     | V <sub>DDA</sub>  | Power  |          | Analog supply pin.  |
| 11     | V <sub>DD</sub>   | Power  |          | Core supply pin.  |
| 12     | FB_SEL            | Input  | Pulldown | Feedback and output frequency select pin. LVCMOS/LVTTTL interface levels. See Table 3.  |
| 13, 14 | XTAL_IN, XTAL_OUT | Input  |          | Crystal oscillator interface. XTAL_IN is the input. XTAL_OUT is the output.   |
| 15, 18 | N_SEL0, N_SEL1    | Input  | Pullup   | Feedback and output frequency select pins. LVCMOS/LVTTTL interface levels. See Table 3.   |
| 16, 17 | GND               | Power  |          | Power supply ground.  |
| 19, 20 | nQ5, Q5           | Output |          | Differential output pair. LVDS interface levels.  |
| 21, 22 | nQ4, Q4           | Output |          | Differential output pair. LVDS interface levels.  |
| 23, 24 | nQ3, Q3           | Output |          | Differential output pair. LVDS interface levels.  |

NOTE: *Pullup* and *Pulldown* refer to internal input resistors. See Table 2, *Pin Characteristics*, for typical values.

**Table 2. Pin Characteristics**

| Symbol                | Parameter               | Test Conditions | Minimum | Typical | Maximum | Units |
|-----------------------|-------------------------|-----------------|---------|---------|---------|-------|
| C <sub>IN</sub>       | Input Capacitance       |                 |         | 4       |         | pF    |
| R <sub>PULLUP</sub>   | Input Pullup Resistor   |                 |         | 51      |         | kΩ    |
| R <sub>PULLDOWN</sub> | Input Pulldown Resistor |                 |         | 51      |         | kΩ    |

## Function Tables

Table 3. Example Frequency Function Table

| Inputs     |        |        |        | Function        |           |                 |              |
|------------|--------|--------|--------|-----------------|-----------|-----------------|--------------|
| XTAL (MHz) | FB_SEL | N_SEL1 | N_SELO | M Divider Value | VCO (MHz) | N Divider Value | Output (MHz) |
| 20         | 0      | 0      | 0      | 25              | 500       | 1               | 500          |
| 20         | 0      | 0      | 1      | 25              | 500       | 2               | 250          |
| 20         | 0      | 1      | 0      | 25              | 500       | 4               | 125          |
| 20         | 0      | 1      | 1      | 25              | 500       | 5               | 100          |
| 21.25      | 0      | 1      | 1      | 25              | 531.25    | 5               | 106.25       |
| 24         | 0      | 0      | 0      | 25              | 600       | 1               | 600          |
| 24         | 0      | 0      | 1      | 25              | 600       | 2               | 300          |
| 24         | 0      | 1      | 0      | 25              | 600       | 4               | 150          |
| 24         | 0      | 1      | 1      | 25              | 600       | 5               | 120          |
| 25         | 0      | 0      | 0      | 25              | 625       | 1               | 625          |
| 25         | 0      | 0      | 1      | 25              | 625       | 2               | 312.5        |
| 25         | 0      | 1      | 0      | 25              | 625       | 4               | 156.25       |
| 25         | 0      | 1      | 1      | 25              | 625       | 5               | 125          |
| 25.5       | 0      | 1      | 0      | 25              | 637.5     | 4               | 159.375      |
| 15.625     | 1      | 1      | 1      | 32              | 500       | 8               | 62.5         |
| 18.5625    | 1      | 1      | 1      | 32              | 594       | 8               | 74.25        |
| 18.75      | 1      | 0      | 0      | 32              | 600       | 1               | 600          |
| 18.75      | 1      | 0      | 1      | 32              | 600       | 2               | 300          |
| 18.75      | 1      | 1      | 0      | 32              | 600       | 4               | 150          |
| 18.75      | 1      | 1      | 1      | 32              | 600       | 8               | 75           |
| 19.44      | 1      | 0      | 0      | 32              | 622.08    | 1               | 622.08       |
| 19.44      | 1      | 0      | 1      | 32              | 622.08    | 2               | 311.04       |
| 19.44      | 1      | 1      | 0      | 32              | 622.08    | 4               | 155.52       |
| 19.44      | 1      | 1      | 1      | 32              | 622.08    | 8               | 77.76        |
| 19.53125   | 1      | 0      | 0      | 32              | 625       | 1               | 625          |
| 19.53125   | 1      | 0      | 1      | 32              | 625       | 2               | 312.5        |
| 19.53125   | 1      | 1      | 0      | 32              | 625       | 4               | 156.25       |
| 19.53125   | 1      | 1      | 1      | 32              | 625       | 8               | 78.125       |
| 20         | 1      | 1      | 1      | 32              | 640       | 8               | 80           |

## Absolute Maximum Ratings

NOTE: Stresses beyond those listed under *Absolute Maximum Ratings* may cause permanent damage to the device. These ratings are stress specifications only. Functional operation of product at these conditions or any conditions beyond those listed in the *DC Characteristics* or *AC Characteristics* is not implied. Exposure to absolute maximum rating conditions for extended periods may affect product reliability.

| Item  | Rating                                     |
|---|--|
| Supply Voltage, $V_{DD}$                              | 4.6V                                       |
| Inputs, $V_I$<br>XTAL_IN<br>Other Inputs              | 0V to $V_{DD}$<br>-0.5V to $V_{DD} + 0.5V$ |
| Outputs, $I_O$<br>Continuous Current<br>Surge Current | 10mA<br>15mA                               |
| Package Thermal Impedance, $\theta_{JA}$              | 32.1°C/W (0 mps)                           |
| Storage Temperature, $T_{STG}$                        | -65°C to 150°C                             |

## DC Electrical Characteristics

**Table 4A. Power Supply DC Characteristics,  $V_{DD} = V_{DDO} = 3.3V \pm 5\%$ ,  $T_A = 0^\circ\text{C}$  to  $70^\circ\text{C}$**

| Symbol    | Parameter               | Test Conditions | Minimum         | Typical | Maximum  | Units |
|-----------|-------------------------|-----------------|-----------------|---------|----------|-------|
| $V_{DD}$  | Positive Supply Voltage |                 | 3.135           | 3.3     | 3.465    | V     |
| $V_{DDA}$ | Analog Supply Voltage   |                 | $V_{DD} - 0.11$ | 3.3     | $V_{DD}$ | V     |
| $V_{DDO}$ | Output Supply Voltage   |                 | 3.135           | 3.3     | 3.465    | V     |
| $I_{DD}$  | Power Supply Current    |                 |                 |         | 172      | mA    |
| $I_{DDA}$ | Analog Supply Current   |                 |                 |         | 11       | mA    |
| $I_{DDO}$ | Output Supply Current   |                 |                 |         | 72       | mA    |

**Table 4B. Power Supply DC Characteristics,  $V_{DD} = 3.3V \pm 5\%$ ,  $V_{DDO} = 2.5V \pm 5\%$ ,  $T_A = 0^\circ\text{C}$  to  $70^\circ\text{C}$**

| Symbol    | Parameter               | Test Conditions | Minimum         | Typical | Maximum  | Units |
|-----------|-------------------------|-----------------|-----------------|---------|----------|-------|
| $V_{DD}$  | Positive Supply Voltage |                 | 3.135           | 3.3     | 3.465    | V     |
| $V_{DDA}$ | Analog Supply Voltage   |                 | $V_{DD} - 0.11$ | 3.3     | $V_{DD}$ | V     |
| $V_{DDO}$ | Output Supply Voltage   |                 | 2.375           | 2.5     | 2.625    | V     |
| $I_{DD}$  | Power Supply Current    |                 |                 |         | 172      | mA    |
| $I_{DDA}$ | Analog Supply Current   |                 |                 |         | 11       | mA    |
| $I_{DDO}$ | Output Supply Current   |                 |                 |         | 70       | mA    |

**Table 4C. LVCMOS/LVTTL DC Characteristics,  $V_{DD} = 3.3V \pm 5\%$ ,  $V_{DDO} = 3.3V \pm 5\%$  or  $2.5V \pm 5\%$ ,  $T_A = 0^\circ\text{C}$  to  $70^\circ\text{C}$** 

| Symbol   | Parameter          | Test Conditions               | Minimum                        | Typical | Maximum        | Units         |
|----------|--------------------|-------------------------------|--------------------------------|---------|----------------|---------------|
| $V_{IH}$ | Input High Voltage |                               | 2                              |         | $V_{DD} + 0.3$ | V             |
| $V_{IL}$ | Input Low Voltage  |                               | -0.3                           |         | 0.8            | V             |
| $I_{IH}$ | Input High Current | FB_SEL                        | $V_{DD} = V_{IN} = 3.465V$     |         | 150            | $\mu\text{A}$ |
|          |                    | PLL_BYPASS,<br>N_SEL0, N_SEL1 | $V_{DD} = V_{IN} = 3.465V$     |         | 5              | $\mu\text{A}$ |
| $I_{IL}$ | Input Low Current  | FB_SEL                        | $V_{DD} = 3.465V, V_{IN} = 0V$ | -5      |                | $\mu\text{A}$ |
|          |                    | PLL_BYPASS,<br>N_SEL0, N_SEL1 | $V_{DD} = 3.465V, V_{IN} = 0V$ | -150    |                | $\mu\text{A}$ |

**Table 4D. LVDS DC Characteristics,  $V_{DD} = V_{DDO} = 3.3V \pm 5\%$ ,  $T_A = 0^\circ\text{C}$  to  $70^\circ\text{C}$** 

| Symbol          | Parameter                   | Test Conditions | Minimum | Typical | Maximum | Units |
|-----------------|-----------------------------|-----------------|---------|---------|---------|-------|
| $V_{OD}$        | Differential Output Voltage |                 | 247     | 350     | 454     | mV    |
| $\Delta V_{OD}$ | $V_{OD}$ Magnitude Change   |                 |         |         | 50      | mV    |
| $V_{OS}$        | Offset Voltage              |                 | 1.125   | 1.25    | 1.45    | V     |
| $\Delta V_{OS}$ | $V_{OS}$ Magnitude Change   |                 |         |         | 50      | mV    |

**Table 4E. LVDS DC Characteristics,  $V_{DD} = 3.3V \pm 5\%$ ,  $V_{DDO} = 2.5V \pm 5\%$ ,  $T_A = 0^\circ\text{C}$  to  $70^\circ\text{C}$** 

| Symbol          | Parameter                   | Test Conditions | Minimum | Typical | Maximum | Units |
|-----------------|-----------------------------|-----------------|---------|---------|---------|-------|
| $V_{OD}$        | Differential Output Voltage |                 | 247     | 350     | 454     | mV    |
| $\Delta V_{OD}$ | $V_{OD}$ Magnitude Change   |                 |         |         | 50      | mV    |
| $V_{OS}$        | Offset Voltage              |                 | 1.125   | 1.25    | 1.45    | V     |
| $\Delta V_{OS}$ | $V_{OS}$ Magnitude Change   |                 |         |         | 50      | mV    |

**Table 5. Crystal Characteristics**

| Parameter                          | Test Conditions | Minimum     | Typical | Maximum | Units    |
|------------------------------------|-----------------|-------------|---------|---------|----------|
| Mode of Oscillation                |                 | Fundamental |         |         |          |
| Frequency                          |                 | 15.625      |         | 25.5    | MHz      |
| Equivalent Series Resistance (ESR) |                 |             |         | 50      | $\Omega$ |
| Shunt Capacitance                  |                 |             |         | 7       | pF       |
| Drive Level                        |                 |             |         | 1       | mW       |

NOTE: Characterized using an 18pF parallel resonant crystal.

## AC Electrical Characteristics

**Table 6A. AC Characteristics,  $V_{DD} = V_{DDO} = 3.3V \pm 5\%$ ,  $T_A = 0^\circ\text{C}$  to  $70^\circ\text{C}$**

| Symbol               | Parameter                         | Test Conditions           | Minimum | Typical | Maximum | Units |
|----------------------|-----------------------------------|---------------------------|---------|---------|---------|-------|
| $f_{OUT}$            | Output Frequency                  |                           | 62.5    |         | 625     | MHz   |
| $t_{sk(o)}$          | Output Skew; NOTE 1, 2            |                           |         |         | 65      | ps    |
| $f_{jit}(\emptyset)$ | RMS Phase Jitter (Random); NOTE 3 | 125MHz (1.875MHz – 20MHz) |         | 0.43    |         | ps    |
| $t_R / t_F$          | Output Rise/Fall Time             | 20% to 80%                | 200     |         | 565     | ps    |
| odc                  | Output Duty Cycle                 | $\leq 312.5\text{MHz}$    | 47      |         | 53      | %     |
|                      |                                   | $> 312.5\text{MHz}$       | 45      |         | 55      | %     |
| $t_{LOCK}$           | PLL Lock Time                     |                           |         |         | 25      | ms    |

NOTE: Electrical parameters are guaranteed over the specified ambient operating temperature range, which is established when the device is mounted in a test socket with maintained transverse airflow greater than 500 lpm. The device will meet specifications after thermal equilibrium has been reached under these conditions.

NOTE 1: Defined as skew between outputs at the same supply voltage and with equal load conditions. Measured at the output differential cross points.

NOTE 2: This parameter is defined in accordance with JEDEC Standard 65.

NOTE 3: Refer to the Phase Noise Plot.

**Table 6B. AC Characteristics,  $V_{DD} = 3.3V \pm 5\%$ ,  $V_{DDO} = 2.5V \pm 5\%$ ,  $T_A = 0^\circ\text{C}$  to  $70^\circ\text{C}$**

| Symbol               | Parameter                         | Test Conditions           | Minimum | Typical | Maximum | Units |
|----------------------|-----------------------------------|---------------------------|---------|---------|---------|-------|
| $f_{OUT}$            | Output Frequency                  |                           | 62.5    |         | 625     | MHz   |
| $t_{sk(o)}$          | Output Skew; NOTE 1, 2            |                           |         |         | 65      | ps    |
| $f_{jit}(\emptyset)$ | RMS Phase Jitter (Random); NOTE 3 | 125MHz (1.875MHz – 20MHz) |         | 0.43    |         | ps    |
| $t_R / t_F$          | Output Rise/Fall Time             | 20% to 80%                | 200     |         | 550     | ps    |
| odc                  | Output Duty Cycle                 | $\leq 312.5\text{MHz}$    | 47      |         | 53      | %     |
|                      |                                   | $> 312.5\text{MHz}$       | 44      |         | 56      | %     |
| $t_{LOCK}$           | PLL Lock Time                     |                           |         |         | 25      | ms    |

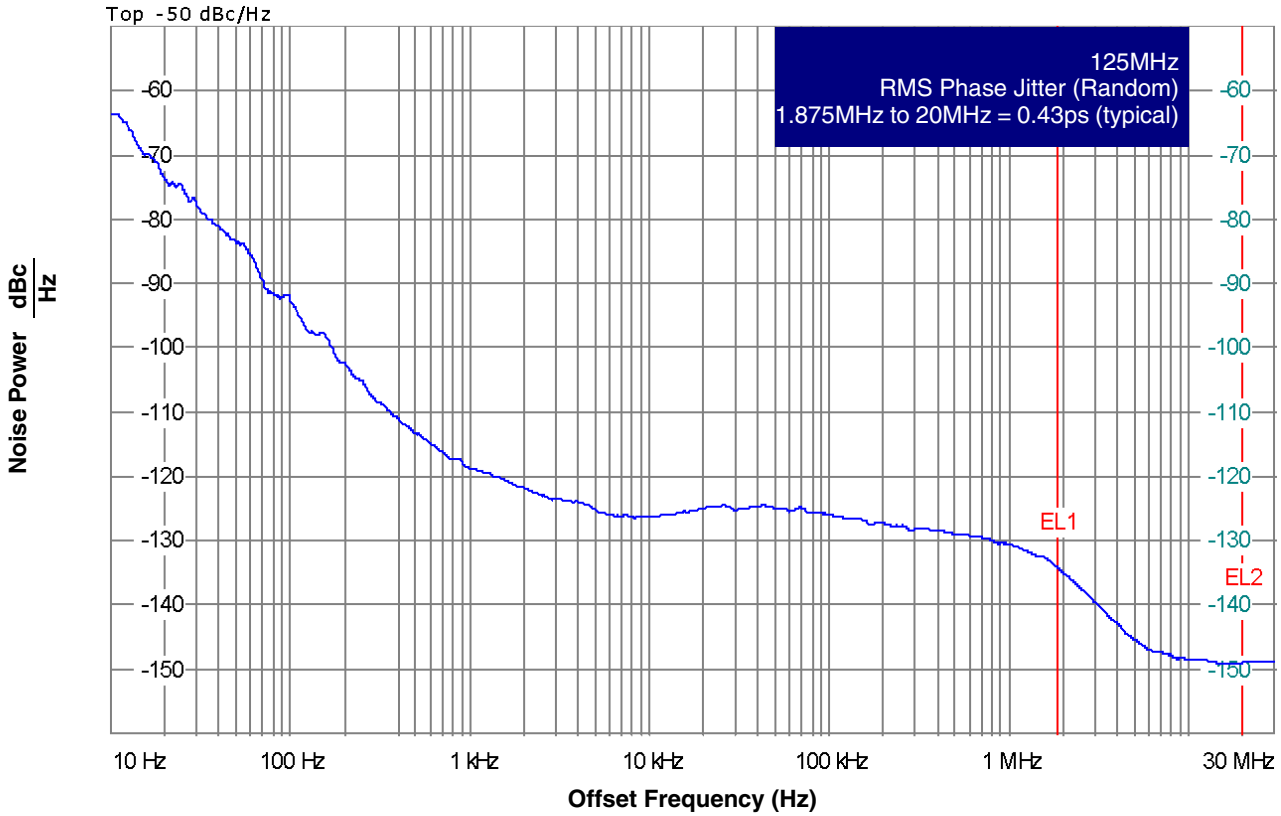
NOTE: Electrical parameters are guaranteed over the specified ambient operating temperature range, which is established when the device is mounted in a test socket with maintained transverse airflow greater than 500 lpm. The device will meet specifications after thermal equilibrium has been reached under these conditions.

NOTE 1: Defined as skew between outputs at the same supply voltage and with equal load conditions. Measured at the output differential cross points.

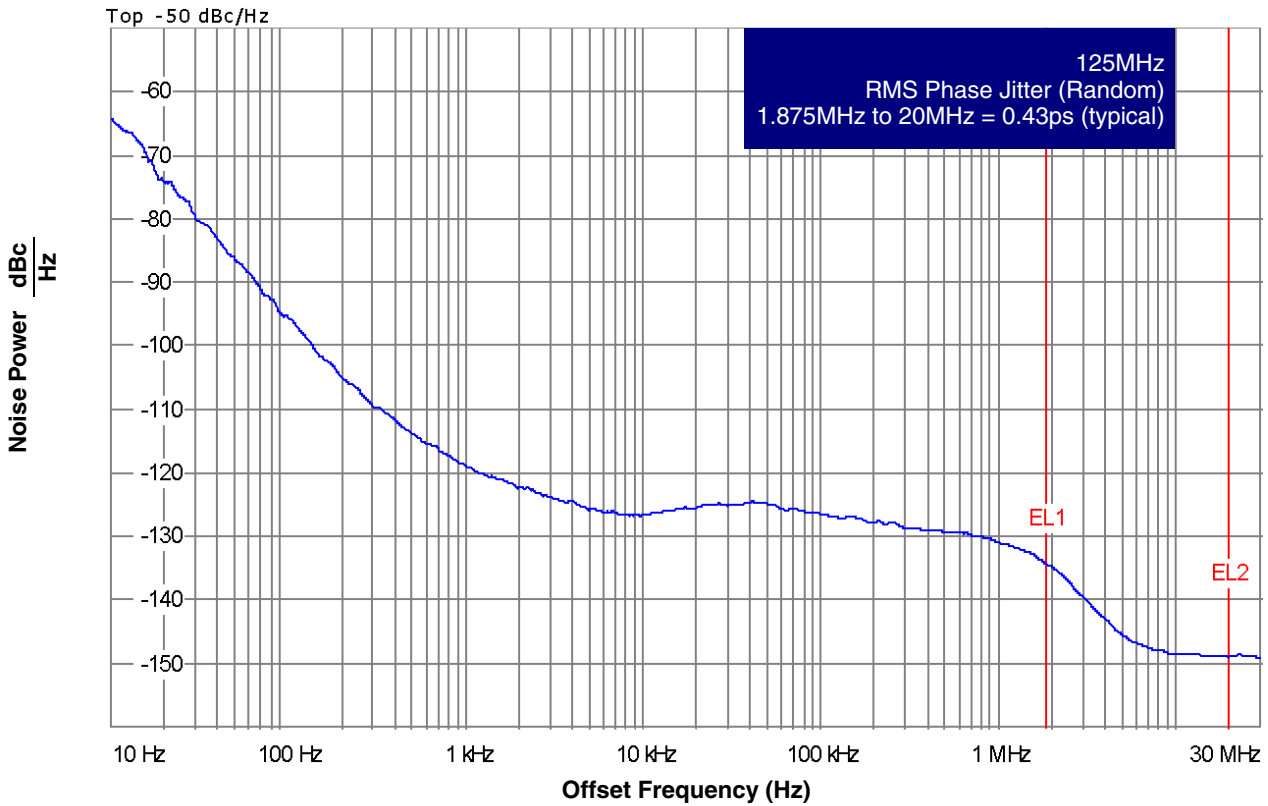
NOTE 2: This parameter is defined in accordance with JEDEC Standard 65.

NOTE 3: Refer to the Phase Noise Plot.

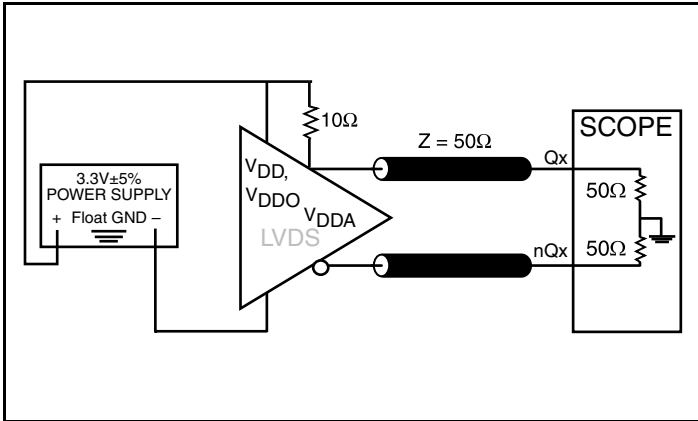
### Typical Phase Noise at 125MHz (3.3V core/3.3V output)



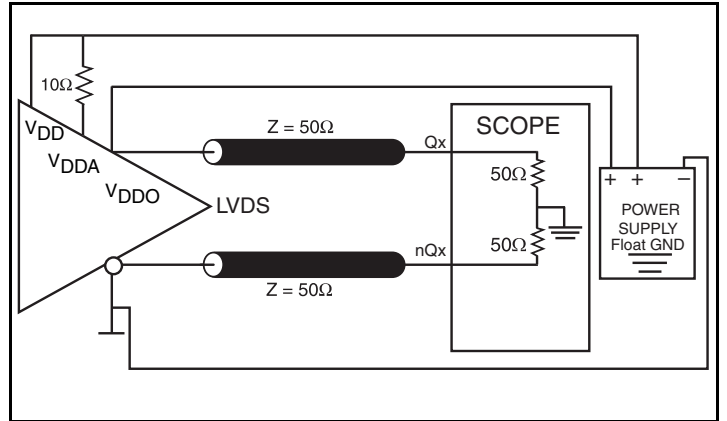
### Typical Phase Noise at 125MHz (3.3V core/2.5V output)



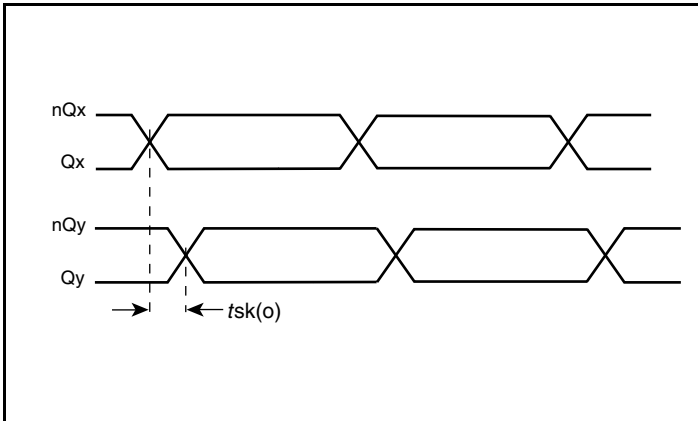
## Parameter Measurement Information



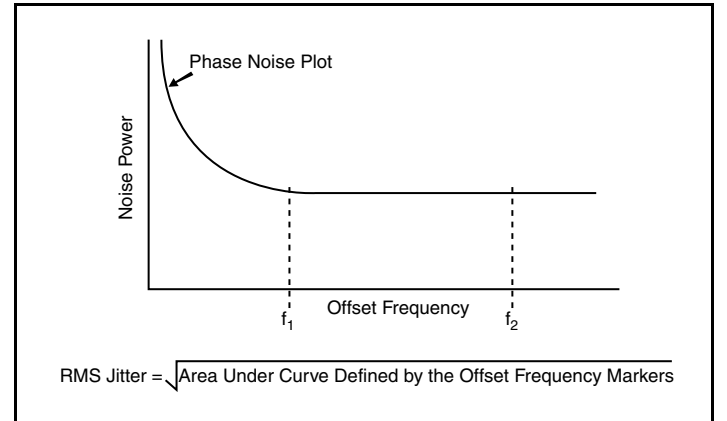
3.3V Core/3.3V Output Load AC Test Circuit



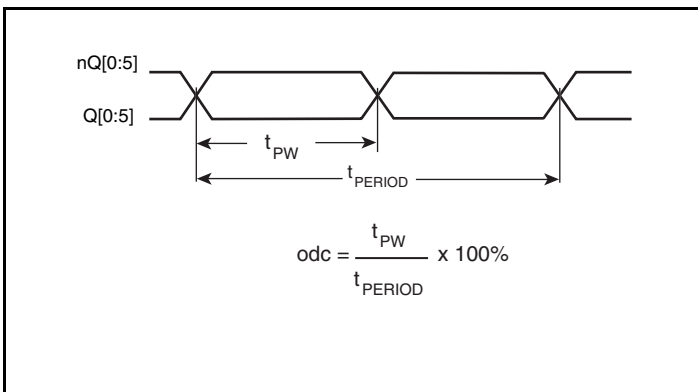
3.3V Core/2.5V Output Load AC Test Circuit



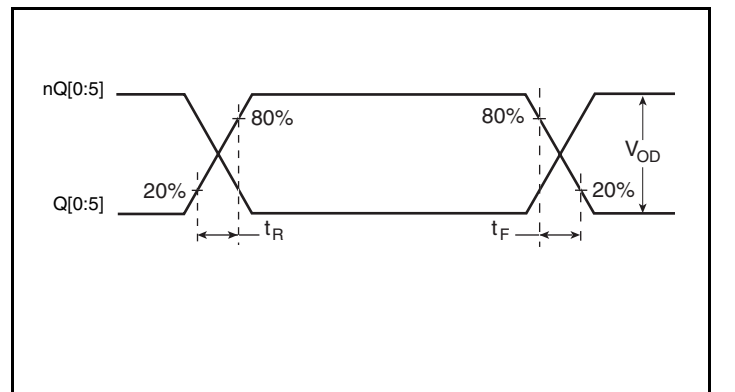
Output Skew



RMS Phase Jitter



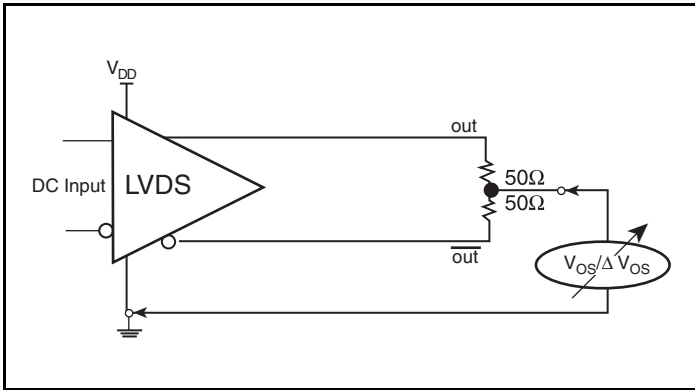
Output Duty Cycle/Pulse Width/Period



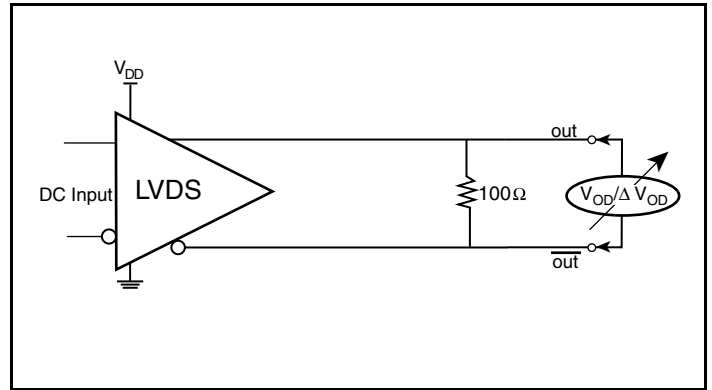
Output Rise/Fall Time



## Parameter Measurement Information, continued



Offset Voltage Setup



Differential Output Voltage Setup

## Application Information

### Power Supply Filtering Technique

As in any high speed analog circuitry, the power supply pins are vulnerable to random noise. To achieve optimum jitter performance, power supply isolation is required. The ICS844256D provides separate power supplies to isolate any high switching noise from the outputs to the internal PLL.  $V_{DD}$ ,  $V_{DDA}$  and  $V_{DDO}$  should be individually connected to the power supply plane through vias, and 0.01μF bypass capacitors should be used for each pin. *Figure 1* illustrates this for a generic  $V_{DD}$  pin and also shows that  $V_{DDA}$  requires that an additional 10Ω resistor along with a 10μF bypass capacitor be connected to the  $V_{DDA}$  pin.

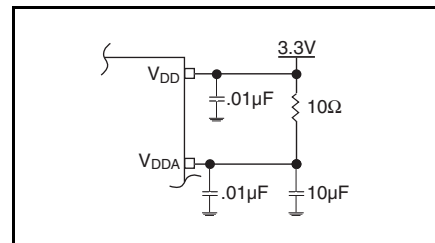


Figure 1. Power Supply Filtering

## Crystal Input Interface

The ICS844256D has been characterized with 18pF parallel resonant crystals. The capacitor values shown in *Figure 2* were determined using an 18pF parallel resonant crystal and were chosen to minimize the ppm error.

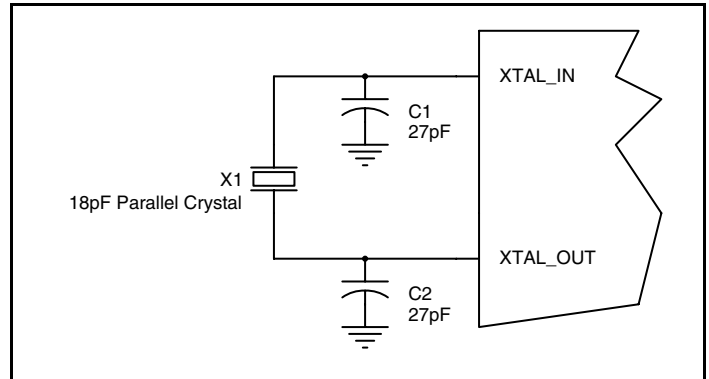


Figure 2. Crystal Input Interface

## Overdriving the XTAL Interface

The XTAL\_IN input can accept a single-ended LVCMOS signal through an AC coupling capacitor. A general interface diagram is shown in *Figure 3A*. The XTAL\_OUT pin can be left floating. The maximum amplitude of the input signal should not exceed 2V and the input edge rate can be as slow as 10ns. This configuration requires that the output impedance of the driver ( $R_o$ ) plus the series resistance ( $R_s$ ) equals the transmission line impedance. In addition,

matched termination at the crystal input will attenuate the signal in half. This can be done in one of two ways. First,  $R_1$  and  $R_2$  in parallel should equal the transmission line impedance. For most 50Ω applications,  $R_1$  and  $R_2$  can be 100Ω. This can also be accomplished by removing  $R_1$  and making  $R_2$  50Ω. By overdriving the crystal oscillator, the device will be functional, but note, the device performance is guaranteed by using a quartz crystal.

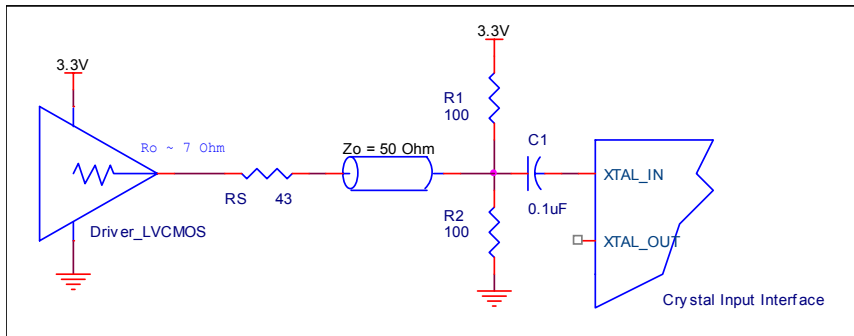


Figure 3A. General Diagram for LVCMOS Driver to XTAL Input Interface

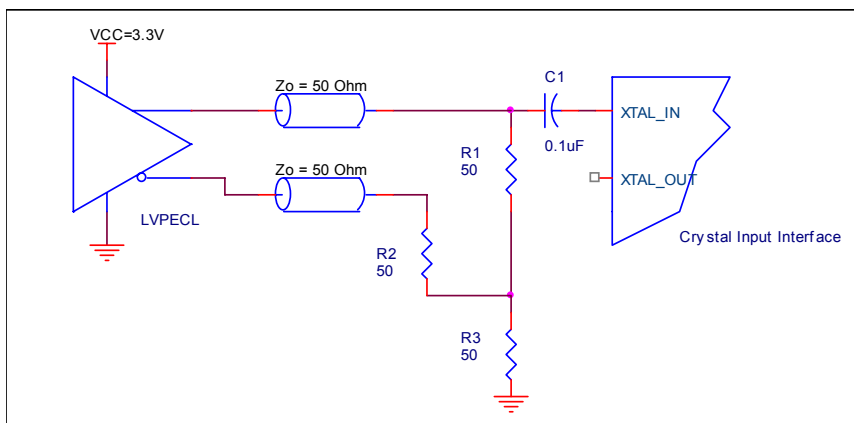


Figure 3B. General Diagram for LVPECL Driver to XTAL Input Interface

## Recommendations for Unused Input and Output Pins

### Inputs:

#### LVCMOS Control Pins

All control pins have internal pullups or pulldowns; additional resistance is not required but can be added for additional protection. A 1k $\Omega$  resistor can be used.

### Outputs:

#### LVDS Outputs

All unused LVDS output pairs can be either left floating or terminated with 100 $\Omega$  across. If they are left floating, we recommend that there is no trace attached.

## LVDS Driver Termination

A general LVDS interface is shown in *Figure 4*. Standard termination for LVDS type output structure requires both a 100 $\Omega$  parallel resistor at the receiver and a 100 $\Omega$  differential transmission line environment. In order to avoid any transmission line reflection issues, the 100 $\Omega$  resistor must be placed as close to the receiver as possible. IDT offers a full line of LVDS compliant devices with two types of output structures: current source and voltage source. The standard

termination schematic as shown in Figure 4 can be used with either type of output structure. If using a non-standard termination, it is recommended to contact IDT and confirm if the output is a current source or a voltage source type structure. In addition, since these outputs are LVDS compatible, the input receivers amplitude and common mode input range should be verified for compatibility with the output.

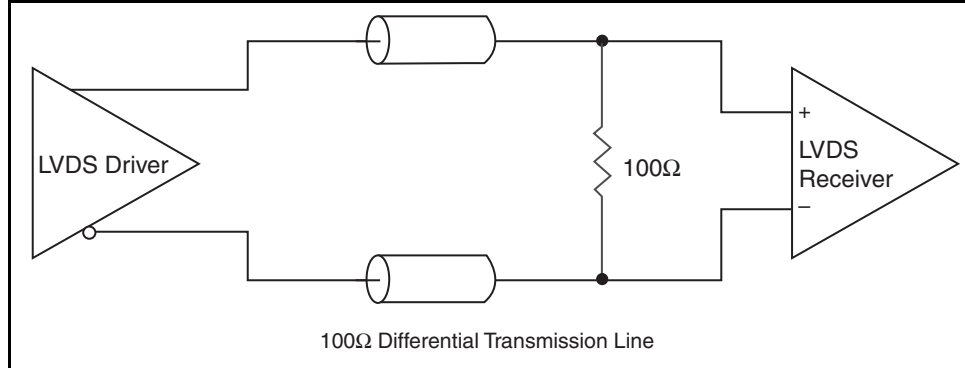


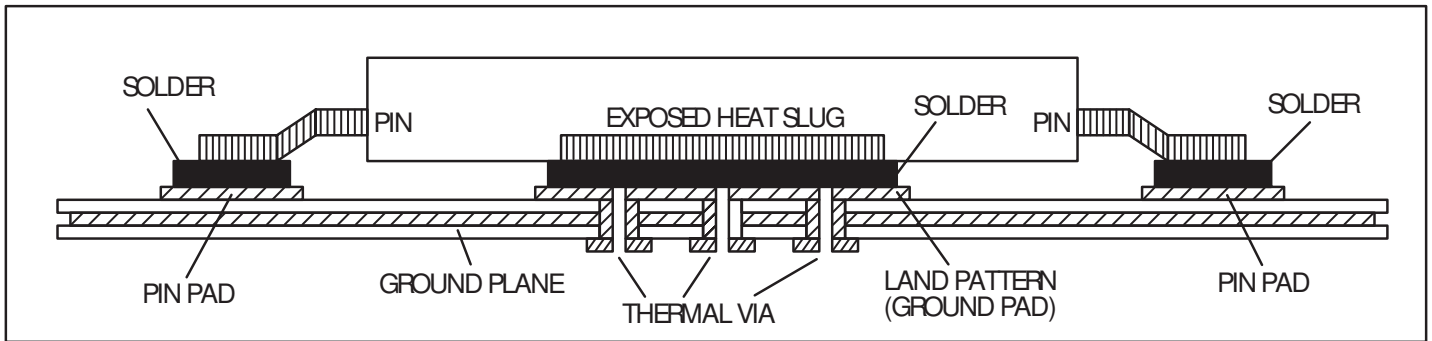
Figure 4. Typical LVDS Driver Termination

## EPAD Thermal Release Path

In order to maximize both the removal of heat from the package and the electrical performance, a land pattern must be incorporated on the Printed Circuit Board (PCB) within the footprint of the package corresponding to the exposed metal pad or exposed heat slug on the package, as shown in *Figure 5*. The solderable area on the PCB, as defined by the solder mask, should be at least the same size/shape as the exposed pad/slug area on the package to maximize the thermal/electrical performance. Sufficient clearance should be designed on the PCB between the outer edges of the land pattern and the inner edges of pad pattern for the leads to avoid any shorts.

While the land pattern on the PCB provides a means of heat transfer and electrical grounding from the package to the board through a solder joint, thermal vias are necessary to effectively conduct from the surface of the PCB to the ground plane(s). The land pattern must be connected to ground through these vias. The vias act as “heat pipes”. The number of vias (i.e. “heat pipes”) are application specific

and dependent upon the package power dissipation as well as electrical conductivity requirements. Thus, thermal and electrical analysis and/or testing are recommended to determine the minimum number needed. Maximum thermal and electrical performance is achieved when an array of vias is incorporated in the land pattern. It is recommended to use as many vias connected to ground as possible. It is also recommended that the via diameter should be 12 to 13mils (0.30 to 0.33mm) with 1oz copper via barrel plating. This is desirable to avoid any solder wicking inside the via during the soldering process which may result in voids in solder between the exposed pad/slug and the thermal land. Precautions should be taken to eliminate any solder voids between the exposed heat slug and the land pattern. Note: These recommendations are to be used as a guideline only. For further information, refer to the Application Note on the *Surface Mount Assembly* of Amkor’s Thermally/Electrically Enhance Leadframe Base Package, Amkor Technology.



**Figure 5. Assembly for Exposed Pad Thermal Release Path - Side View (drawing not to scale)**

### Schematic Example

Figure 6 shows an example of ICS844256D application schematic. In this example, the device is operated at  $V_{DD} = V_{DDO} = 3.3V$ . The 18pF parallel resonant 25MHz crystal is used. The C1 and C2 = 27pF are recommended for frequency accuracy. For different board layouts,

the C1 and C2 may be slightly adjusted for optimizing frequency accuracy. Two examples of LVDS for receiver without built-in termination are shown in this schematic.

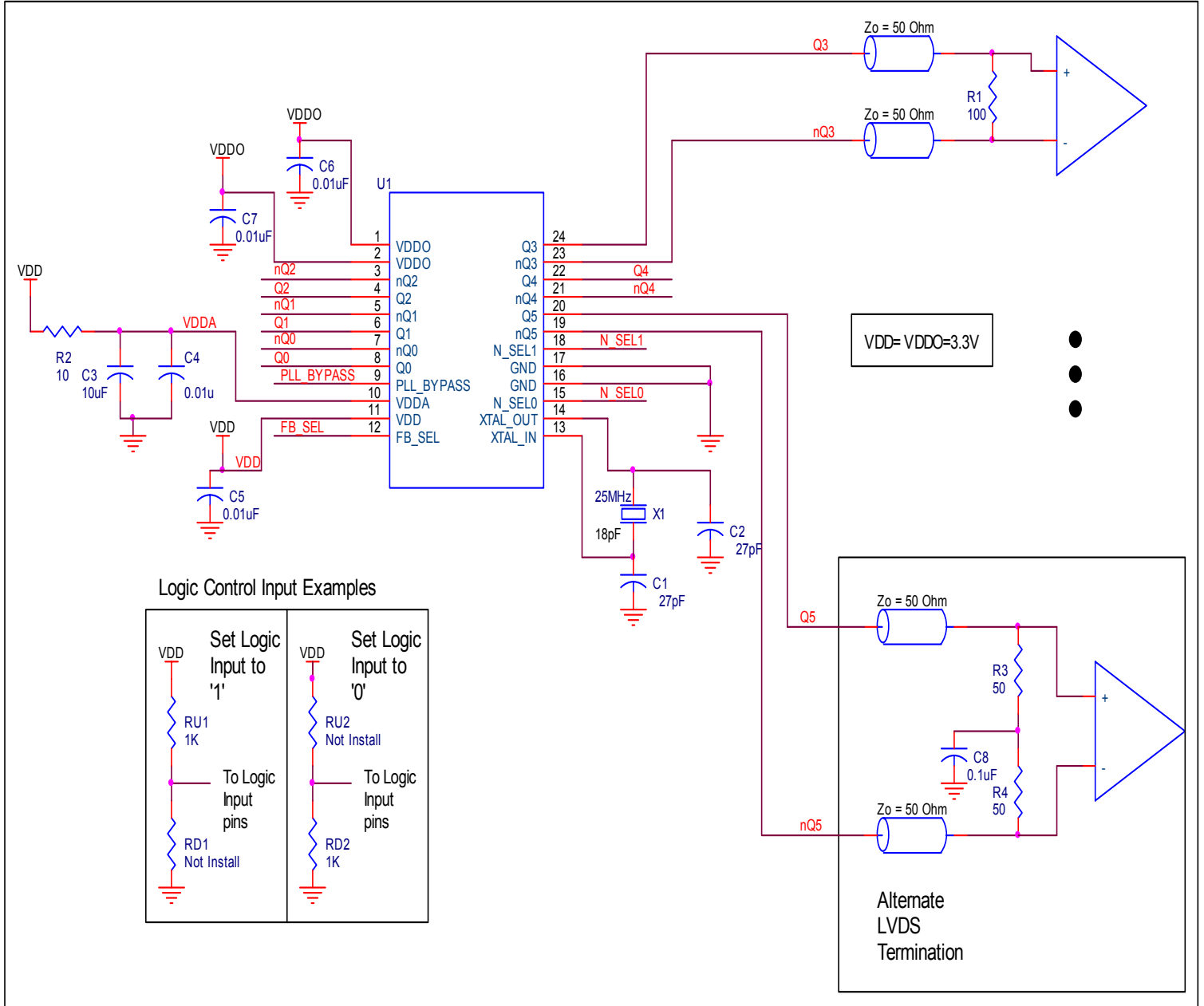


Figure 6. ICS844256D Schematic Layout

## Power Considerations

This section provides information on power dissipation and junction temperature for the ICS844256D. Equations and example calculations are also provided.

### 1. Power Dissipation.

The total power dissipation for the ICS844256D is the sum of the core power plus the analog power plus the power dissipated in the load(s). The following is the power dissipation for  $V_{DD} = 3.3V + 5\% = 3.465V$ , which gives worst case results.

NOTE: Please refer to Section 3 for details on calculating power dissipated in the load.

- Power (core)<sub>MAX</sub> =  $V_{DD\_MAX} * (I_{DD\_MAX} + I_{DDA\_MAX}) = 3.465V * (172mA + 11mA) = \mathbf{634.1mW}$
- Power (outputs)<sub>MAX</sub> =  $V_{DDO\_MAX} * I_{DDO\_MAX} = 3.465V * 72mA = \mathbf{249.48mW}$

**Total Power**<sub>MAX</sub> = 634.1mW + 249.48mW = **883.58mW**

### 2. Junction Temperature.

Junction temperature, T<sub>j</sub>, is the temperature at the junction of the bond wire and bond pad directly affects the reliability of the device. The maximum recommended junction temperature is 125°C. Limiting the internal transistor junction temperature, T<sub>j</sub>, to 125°C ensures that the bond wire and bond pad temperature remains below 125°C.

The equation for T<sub>j</sub> is as follows:  $T_j = \theta_{JA} * Pd\_total + T_A$

T<sub>j</sub> = Junction Temperature

$\theta_{JA}$  = Junction-to-Ambient Thermal Resistance

Pd<sub>total</sub> = Total Device Power Dissipation (example calculation is in section 1 above)

T<sub>A</sub> = Ambient Temperature

In order to calculate junction temperature, the appropriate junction-to-ambient thermal resistance  $\theta_{JA}$  must be used. Assuming air flow and a multi-layer board, the appropriate value is 32.1°C/W per Table 7 below.

Therefore, T<sub>j</sub> for an ambient temperature of 70°C with all outputs switching is:

$$70^\circ\text{C} + 0.884\text{W} * 32.1^\circ\text{C}/\text{W} = 98.4^\circ\text{C}. \text{ This is below the limit of } 125^\circ\text{C}.$$

This calculation is only an example. T<sub>j</sub> will obviously vary depending on the number of loaded outputs, supply voltage, air flow and the type of board.

**Table 7. Thermal Resistance  $\theta_{JA}$  for 24 Lead TSSOP, E-Pad, Forced Convection**

| $\theta_{JA}$ by Velocity                   |          |          |          |
|---|----------|----------|----------|
| Meters per Second                           | 0        | 1        | 2.5      |
| Multi-Layer PCB, JEDEC Standard Test Boards | 32.1°C/W | 25.5°C/W | 24.0°C/W |

## Reliability Information

**Table 8.  $\theta_{JA}$  vs. Air Flow Table for a 24 Lead TSSOP, E-Pad**

| $\theta_{JA}$ by Velocity                   |          |          |            |
|---|----------|----------|------------|
| Meters per Second                           | <b>0</b> | <b>1</b> | <b>2.5</b> |
| Multi-Layer PCB, JEDEC Standard Test Boards | 32.1°C/W | 25.5°C/W | 24.0°C/W   |

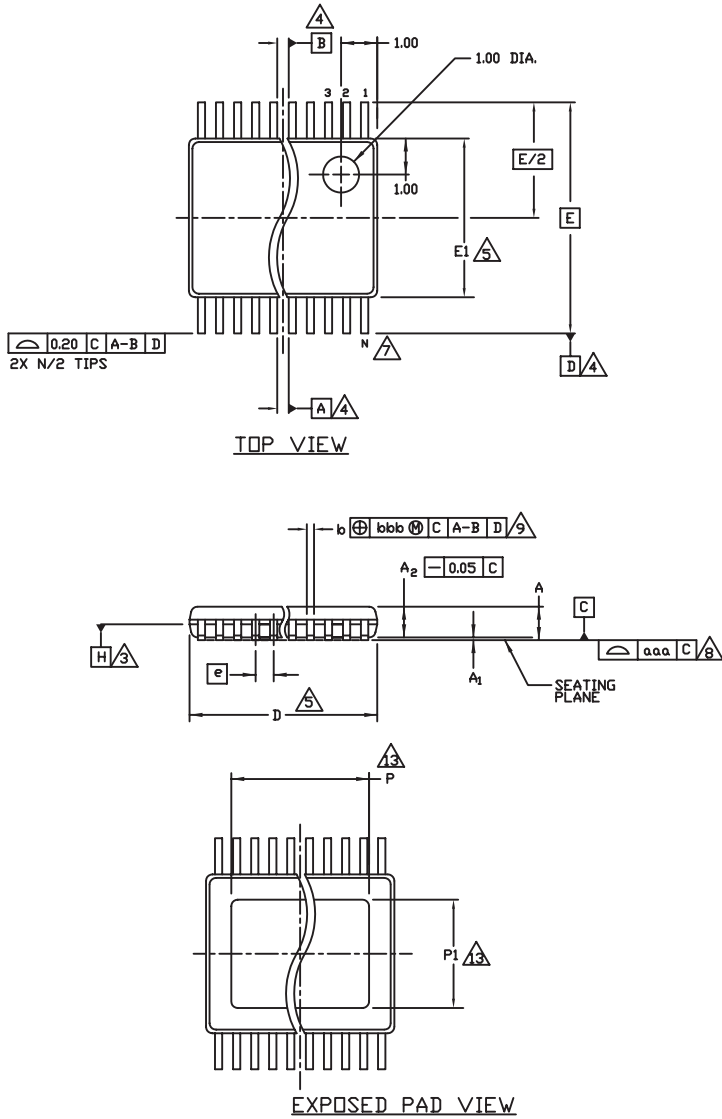
## Transistor Count

The transistor count for ICS844256D is: 4011

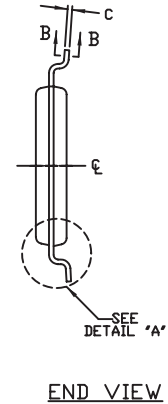
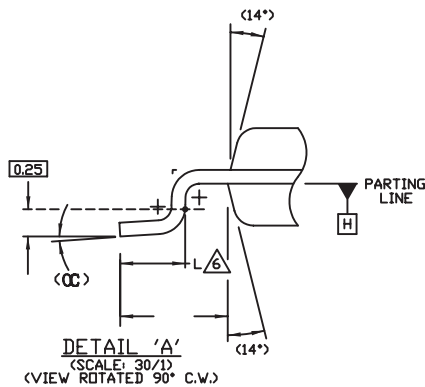
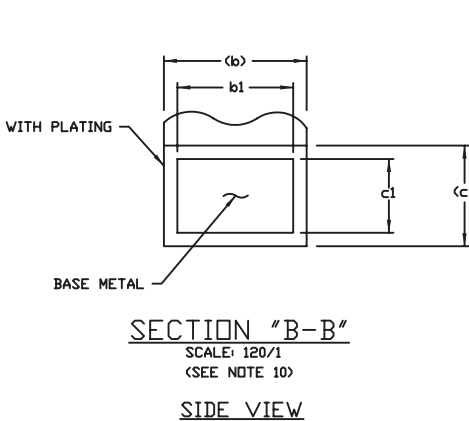
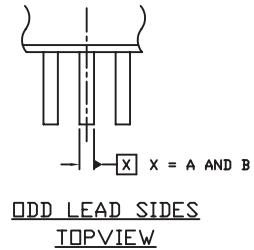
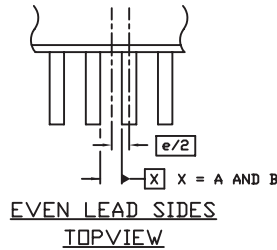
# Package Outline and Package Dimensions

Package Outline - G Suffix for 24 Lead TSSOP, E-Pad

Table 9. Package Dimensions



| All Dimensions in Millimeters |            |         |         |
|-------------------------------|------------|---------|---------|
| Symbol                        | Minimum    | Nominal | Maximum |
| N                             | 24         |         |         |
| A                             |            |         | 1.10    |
| A1                            | 0.05       |         | 0.15    |
| A2                            | 0.85       | 0.90    | 0.95    |
| b                             | 0.19       |         | 0.30    |
| b1                            | 0.19       | 0.22    | 0.25    |
| c                             | 0.09       |         | 0.20    |
| c1                            | 0.09       | 0.127   | 0.16    |
| D                             | 7.70       |         | 7.90    |
| E                             | 6.40 Basic |         |         |
| E1                            | 4.30       | 4.40    | 4.50    |
| e                             | 0.65 Basic |         |         |
| L                             | 0.50       | 0.60    | 0.70    |
| P                             | 5.0        |         | 5.5     |
| P1                            | 3.0        |         | 3.2     |
| $\alpha$                      | 0°         |         | 8°      |
| $\alpha\alpha\alpha$          | 0.076      |         |         |
| bbb                           | 0.10       |         |         |





## Ordering Information

Table 10. Ordering Information

| Part/Order Number | Marking       | Package                          | Shipping Packaging | Temperature |
|-------------------|---------------|----------------------------------|--------------------|-------------|
| 844256DGLF        | ICS844256DGLF | "Lead-Free" 24 Lead TSSOP, E-Pad | Tube               | 0°C to 70°C |
| 844256DGLFT       | ICS844256DGLF | "Lead-Free" 24 Lead TSSOP, E-Pad | 2500 Tape & Reel   | 0°C to 70°C |

NOTE: Parts that are ordered with an "LF" suffix to the part number are the Pb-Free configuration and are RoHS compliant.



## IMPORTANT NOTICE AND DISCLAIMER

RENESAS ELECTRONICS CORPORATION AND ITS SUBSIDIARIES (“RENESAS”) PROVIDES TECHNICAL SPECIFICATIONS AND RELIABILITY DATA (INCLUDING DATASHEETS), DESIGN RESOURCES (INCLUDING REFERENCE DESIGNS), APPLICATION OR OTHER DESIGN ADVICE, WEB TOOLS, SAFETY INFORMATION, AND OTHER RESOURCES “AS IS” AND WITH ALL FAULTS, AND DISCLAIMS ALL WARRANTIES, EXPRESS OR IMPLIED, INCLUDING, WITHOUT LIMITATION, ANY IMPLIED WARRANTIES OF MERCHANTABILITY, FITNESS FOR A PARTICULAR PURPOSE, OR NON-INFRINGEMENT OF THIRD PARTY INTELLECTUAL PROPERTY RIGHTS.

These resources are intended for developers skilled in the art designing with Renesas products. You are solely responsible for (1) selecting the appropriate products for your application, (2) designing, validating, and testing your application, and (3) ensuring your application meets applicable standards, and any other safety, security, or other requirements. These resources are subject to change without notice. Renesas grants you permission to use these resources only for development of an application that uses Renesas products. Other reproduction or use of these resources is strictly prohibited. No license is granted to any other Renesas intellectual property or to any third party intellectual property. Renesas disclaims responsibility for, and you will fully indemnify Renesas and its representatives against, any claims, damages, costs, losses, or liabilities arising out of your use of these resources. Renesas' products are provided only subject to Renesas' Terms and Conditions of Sale or other applicable terms agreed to in writing. No use of any Renesas resources expands or otherwise alters any applicable warranties or warranty disclaimers for these products.

(Disclaimer Rev.1.0 Mar 2020)

### Corporate Headquarters

TOYOSU FORESIA, 3-2-24 Toyosu,  
Koto-ku, Tokyo 135-0061, Japan  
[www.renesas.com](http://www.renesas.com)

### Contact Information

For further information on a product, technology, the most up-to-date version of a document, or your nearest sales office, please visit:  
[www.renesas.com/contact/](http://www.renesas.com/contact/)

### Trademarks

Renesas and the Renesas logo are trademarks of Renesas Electronics Corporation. All trademarks and registered trademarks are the property of their respective owners.