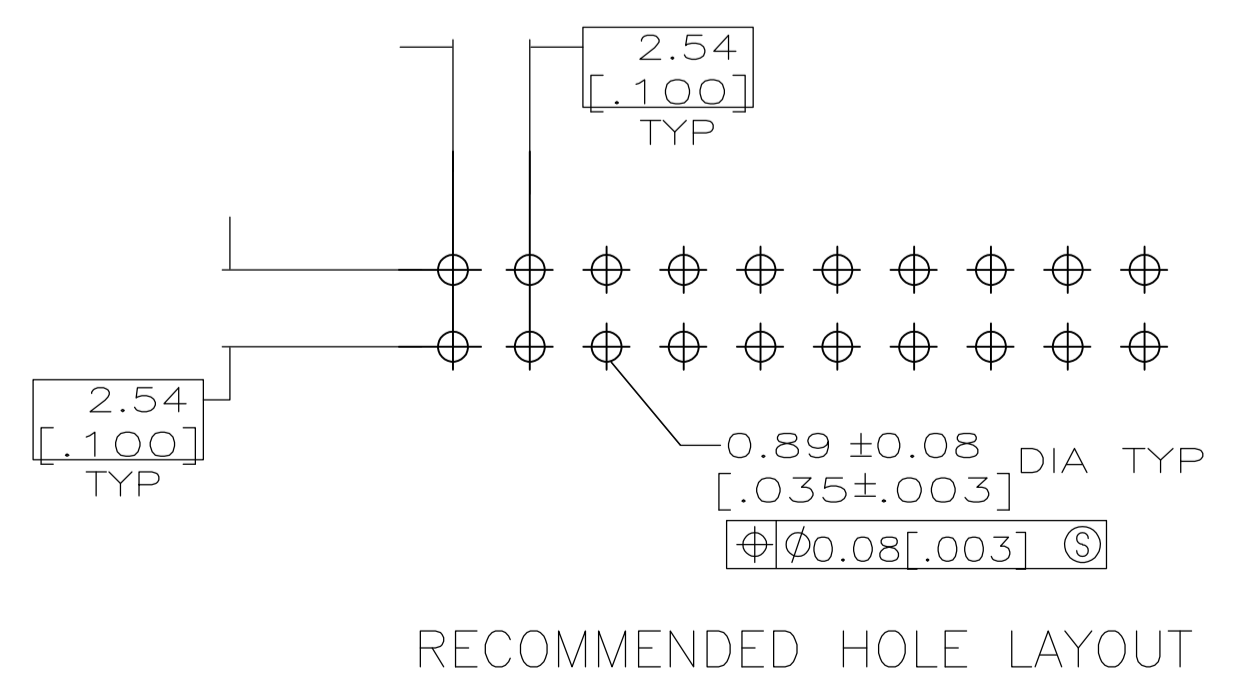
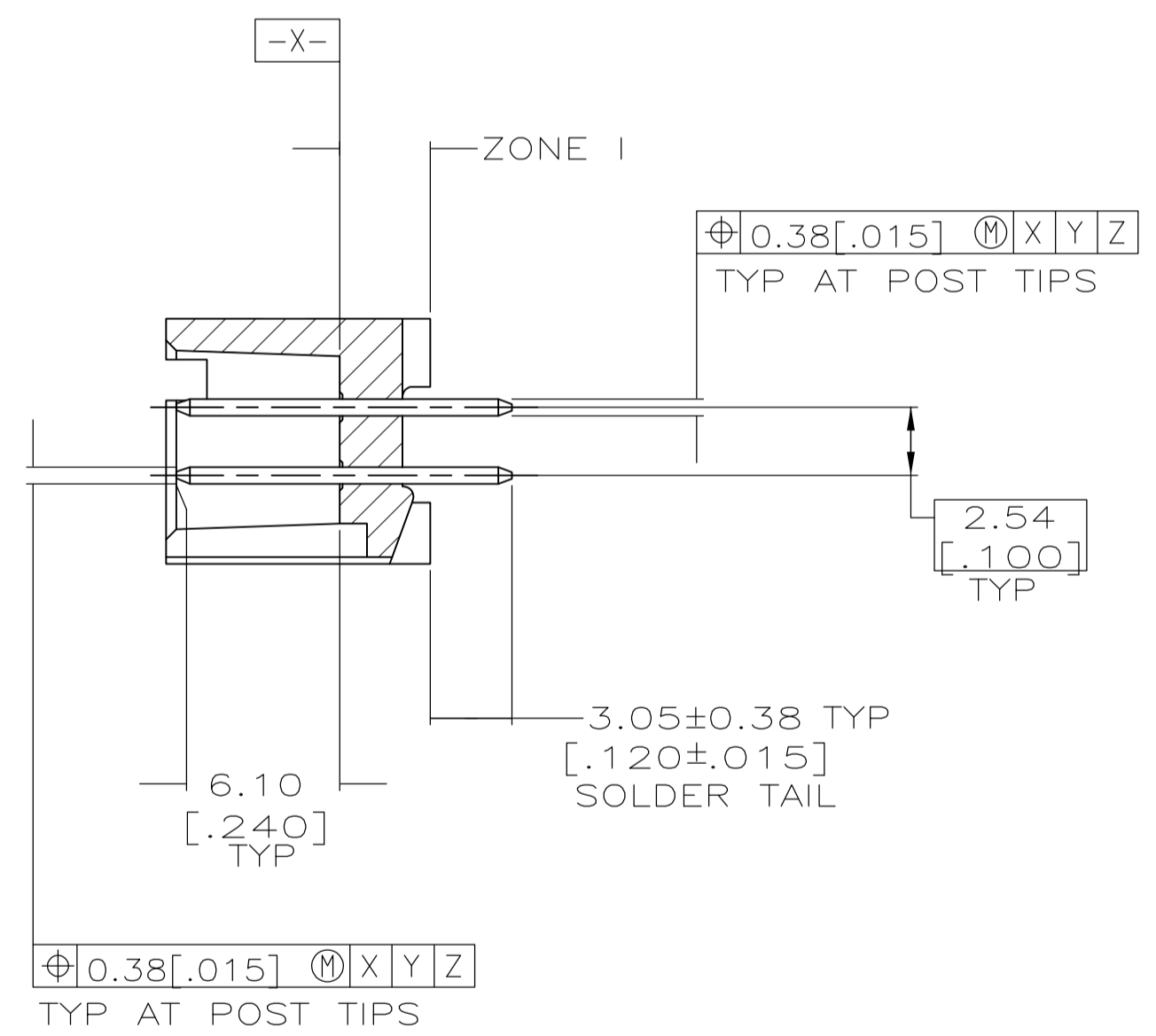
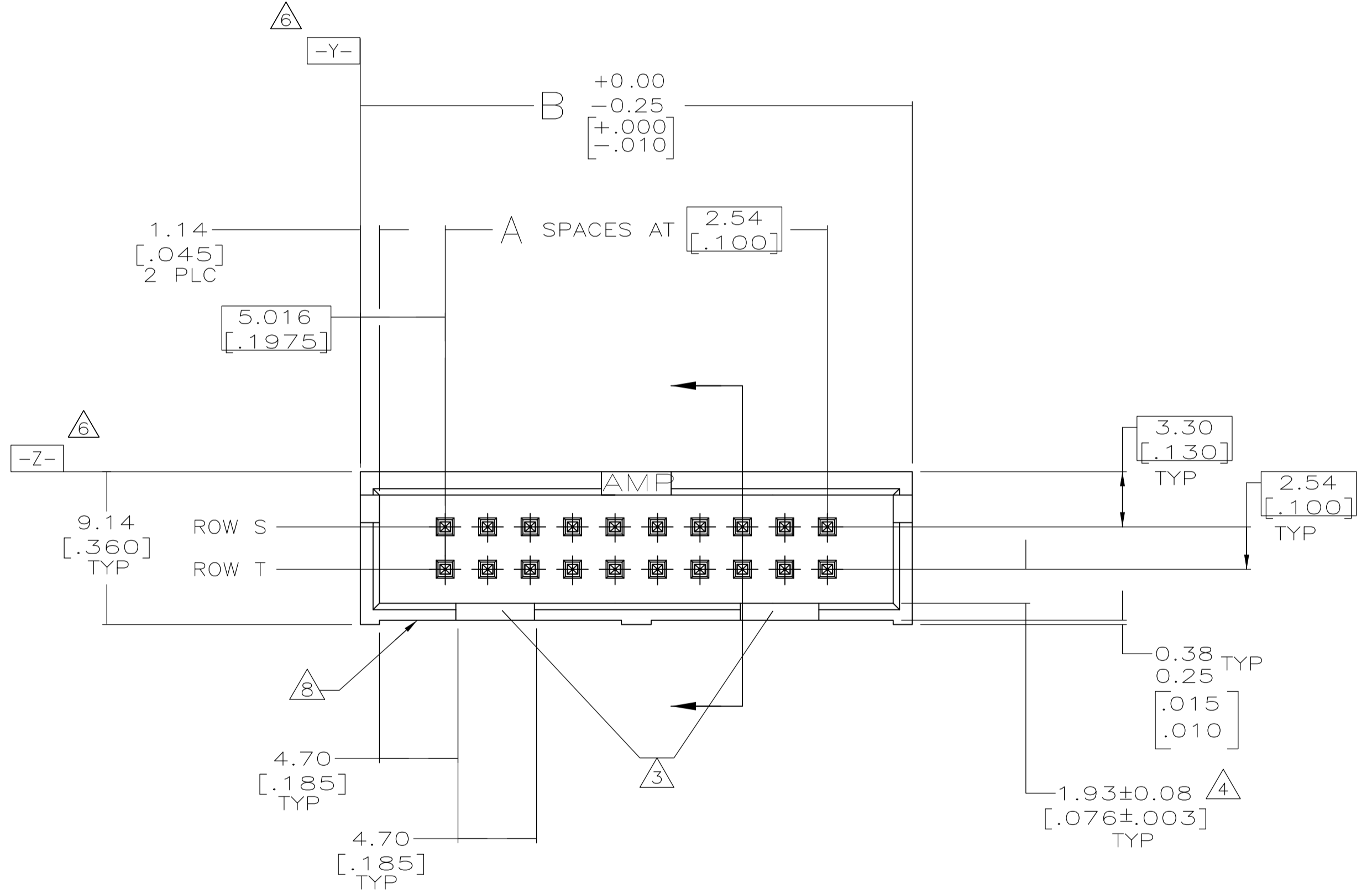


- △ HOUSING: GLASS FILLED NYLON OR PBT, BLACK, UL 94V-0 RATED. POST: BRASS.
- △ POSTS: GOLD FLASH OVER PALLADIUM-NICKEL PLATE, 0.76μm[.000030] MIN TOTAL ON THE MATING SURFACES, 2.54μm[.000100] MIN TIN-LEAD PLATE ON THE SOLDER-TAILS, 1.27μm[.000050] MIN NICKEL UNDERPLATE ON THE ENTIRE POST. -OR- 0.76μm[.000030] MIN GOLD PLATE ON THE MATING SURFACES, 2.54μm[.000100] MIN TIN-LEAD PLATE ON THE SOLDER-TAILS, 1.27μm[.000050] MIN NICKEL UNDERPLATE ON THE ENTIRE POST.
- △ DOUBLE BAR POLARIZATION.
- △ DIMENSION APPLIES AT THE INTERSECTION OF THE POST AND HOUSING.
- △ CENTER POLARIZATION SLOT.
- △ DATUM Y AND Z APPLY ONLY IN ZONE I.
- △ NUMBER 1 POSITION INDICATOR.
- △ OPTIONAL AMP IDENTIFICATION NUMBER (DATE CODE). LOCATION APPROXIMATELY WHERE SHOWN.



4	NONE	33.02 [1.300]	9	20	111996-5
ROW T	ROW S				
POST OMITTED LOCATION	B	A	NO OF POSN	PART NUMBER	

THIS DRAWING IS A CONTROLLED DOCUMENT.

DIMENSIONS: mm [INCHES]	TOLERANCES UNLESS OTHERWISE SPECIFIED:	DWN: C. REIFSNYDER 11 NOV 96	Tyco Electronics Corporation Harrisburg, PA 17105-3608
0 PLC ± -	1 PLC ± -	CHK: J. MOSIER 12 NOV 96	
2 PLC ± 0.13 [.005]	3 PLC ± -	APVD: J. MOSIER 12 NOV 96	NAME: J. MOSIER PRODUCT SPEC: 108-40018 APPLICATION SPEC: -
4 PLC ± -	ANGLES ± -		
MATERIAL: △	FINISH: △	SIZE: A1	RESTRICTED TO: -
CUSTOMER DRAWING		WEIGHT: -	SCALE: 4:1 SHEET 1 OF 1 REV F