

P	LTR	DESCRIPTION	DATE	DWN	APVD
J		UPDATE THE DRAWING AND ADD NEW P/N 1-953486-1	03MAR2020	RSP	J.L
K		PN 953486-6 OBSOLETED	23AUG2021	MN	GP
L		PN 953486-3, -4, -5, 2-953486-1,-2 OBSOLETED	13APR2022	MN	GP

NOTES:

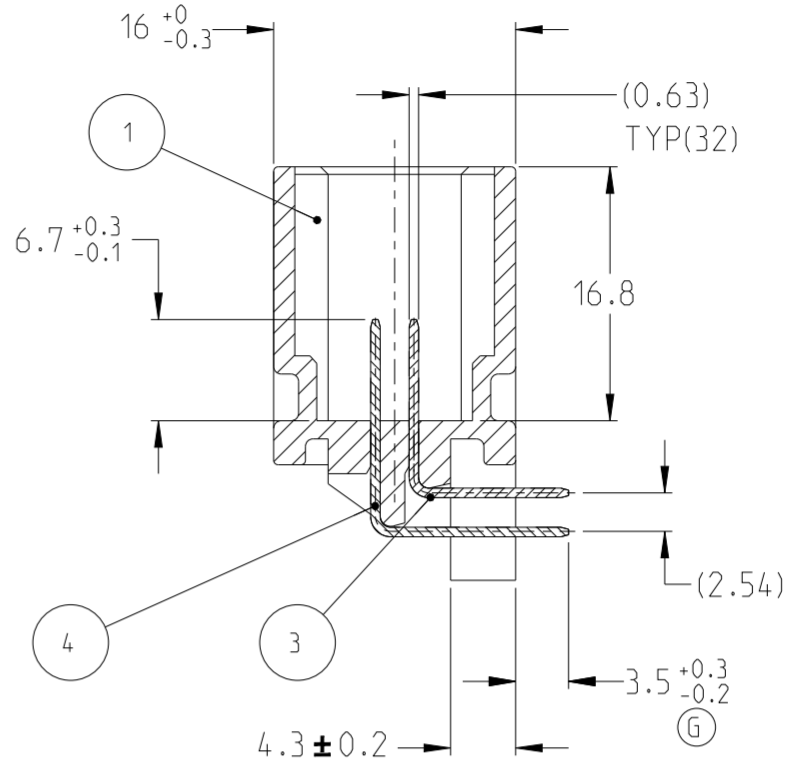
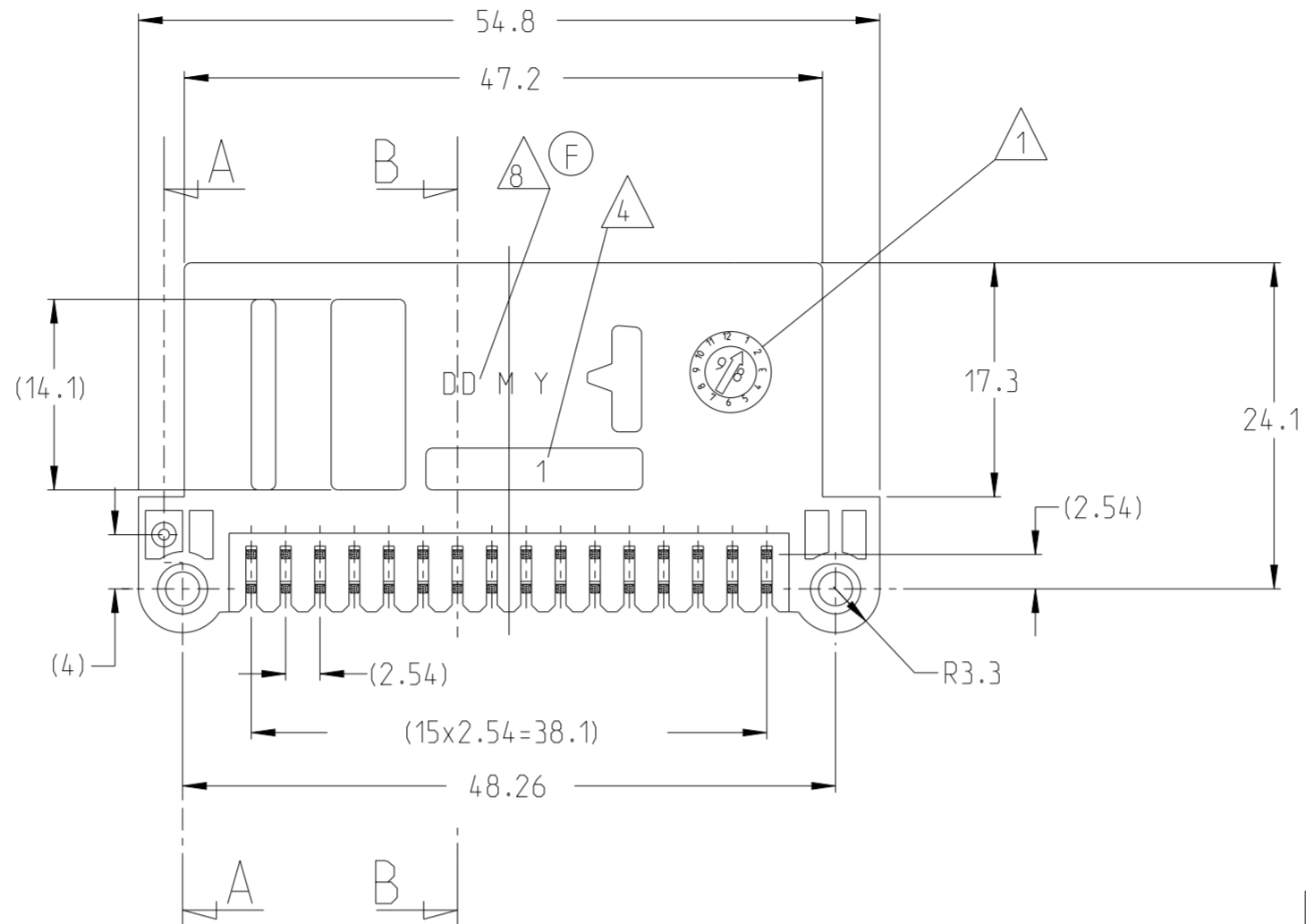
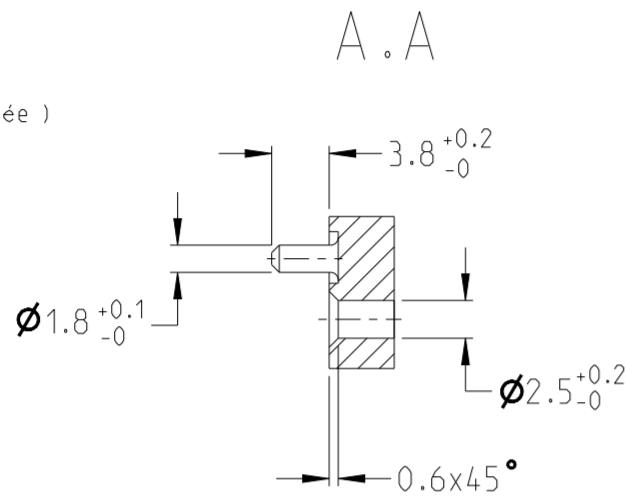
- 1 DATE DE MOULAGE
- 2 LOGO DE TE
- 3 REFERENCE DU PRODUIT ASSEMBLE
- 4 N° D'EMPREINTE DU MOULE
- 5 REVISION DU MOULE
- 6 MATIERE
- 7 CONTRE-PARTIE:
CONNECTEUR REF.929053
- 8 DATE D'ASSEMBLAGE
(DD = Jour ; M = Mois ; Y = année)
- 9 ZONE DE MARQUAGE ALTERNATIVE
DE LA DATE D'ASSEMBLAGE.

10 PLATEAU-CONDITIONNEMENT POUR OPERATION MANUELLE
CONFORMEMENT A V-SPEC. V953486

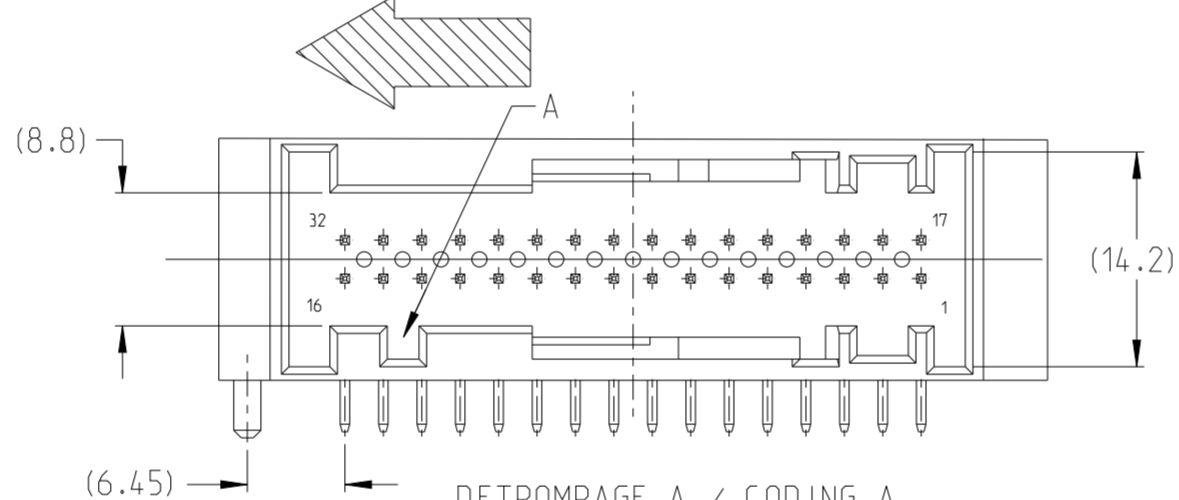
11 PLATEAU-CONDITIONNEMENT POUR OPERATION AUTOMATIQUE
CONFORMEMENT A V-SPEC. V953486

NOTES:

- 1 HOUSING DATE CODE
- 2 TE LOGO
- 3 ASSY PART NUMBER
- 4 CAVITY MARKING
- 5 REVISION STATUS
A FOR PN953486-1
- FOR PN953486-2
- 6 MATERIAL REFERENCE
- 7 MATING PART:
CONNECTOR PN 929053
- 8 ASSY DATE CODE
(DD = Day ; M = Month ; Y = Year)
- 9 ALTERNATIVE AREA FOR ASSY DATE MARKING.
- J 10 TRAY-PACKAGING FOR MANUAL OPERATION
ACC. TO V-SPEC. V953486
- J 11 TRAY-PACKAGING FOR AUTOMATIC
OPERATION ACC. TO V-SPEC. V953486

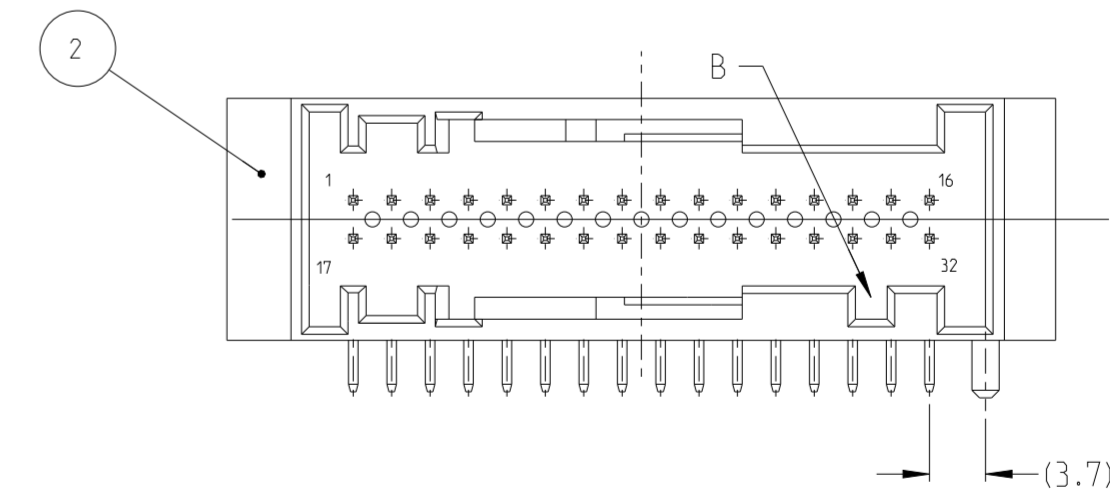
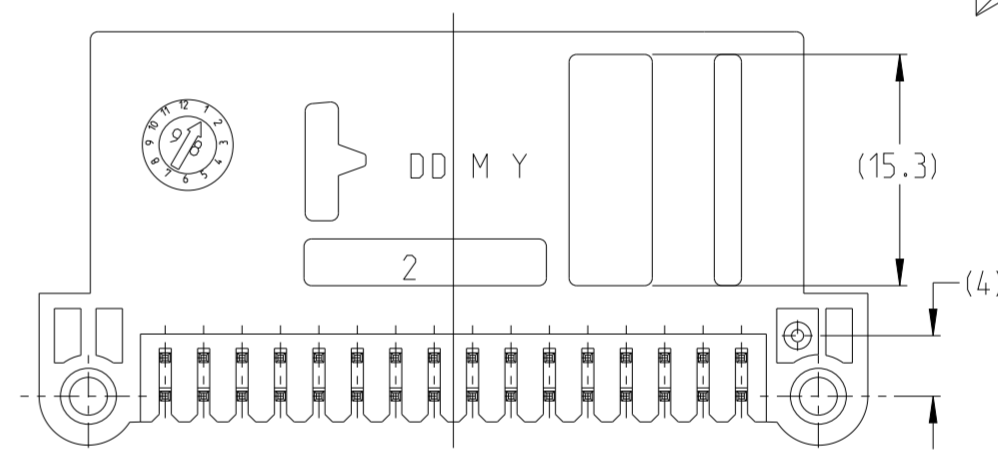


SORTIE FAISCEAU / WIRE EXIT

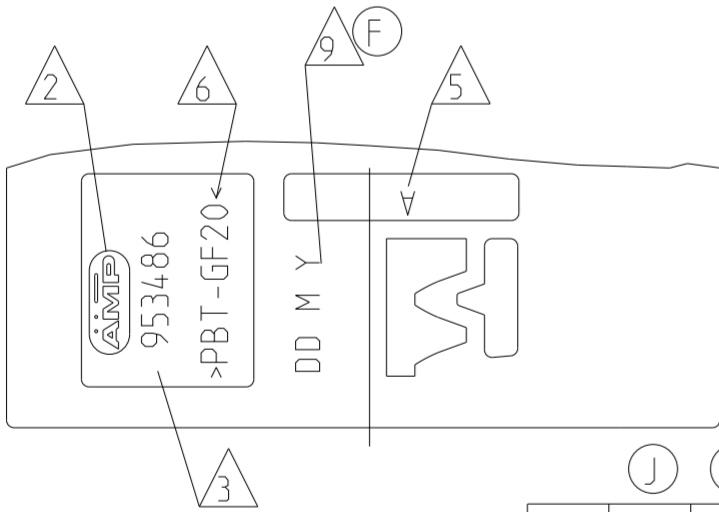


DETROMPAGE A / CODING A
COULEUR: GRIS / COLOUR: GREY
953486-1

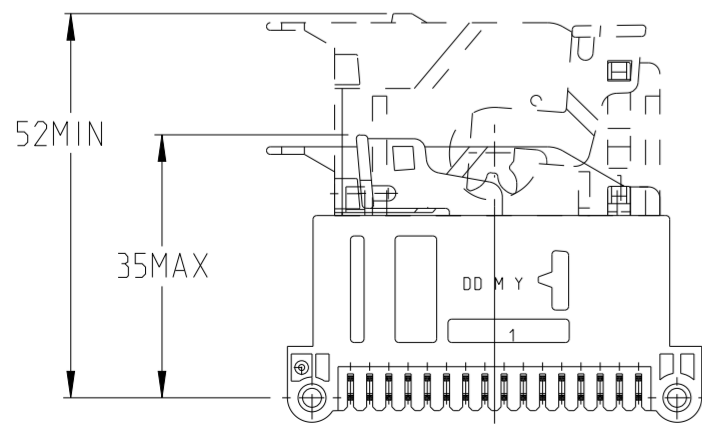
SORTIE FAISCEAU / WIRE EXIT



DETROMPAGE B / CODING B
COULEUR: BLEU / COLOUR: BLUE
953486-2



DETROMPAGE A / CODING A
PN 953486-1



ECHELLE 1:1 / SCALE 1:1

ASSY. PN	10	10	11	
953486-2	10	10	11	
953486-1	10	10	11	
1-953486-1	10	10	11	
QTY	MATERIAL	DESIGNATION / NAME	COULEUR / COLOR	ITEM

16	16	16	CuSn6	MQS LONG CONTACT	POST ETAME / POST TIN	4
16	16	16	CuSn6	MQS SHORT CONTACT	POST ETAME / POST TIN	3
1	-	-	PBT GF20	BOITIER / HOUSING	BLEU / BLUE	2
-	1	1	PBT GF20	BOITIER / HOUSING	GRIS / GREY	1

THIS DRAWING IS A CONTROLLED DOCUMENT.

DIMENSIONS:
mm

TOLERANCES UNLESS OTHERWISE SPECIFIED:
0-PLC ±
1-PLC ±0.3
2-PLC ±
3-PLC ±
4-PLC ±
ANGLES ±5°
FINISH

DWN	J.LAQUERBE	01JUL98
CHK	J.LAQUERBE	18JUN99
APVD	J.JREVI	18JUN99
PRODUCT SPEC	108-15211	
APPLICATION SPEC		
WEIGHT	10.7 g	
CUSTOMER DRAWING		

STE TE Connectivity

NAME
EMBASE 32V MQS COUDEE AVEC OREILLES
32W MQS RIGHT ANGLE HEADER WITH
EARS

SIZE	CAGE CODE	DRAWING NO	RESTRICTED TO
A2	00779	953486	

SCALE 2:1 SHEET 1 OF 7 REV L

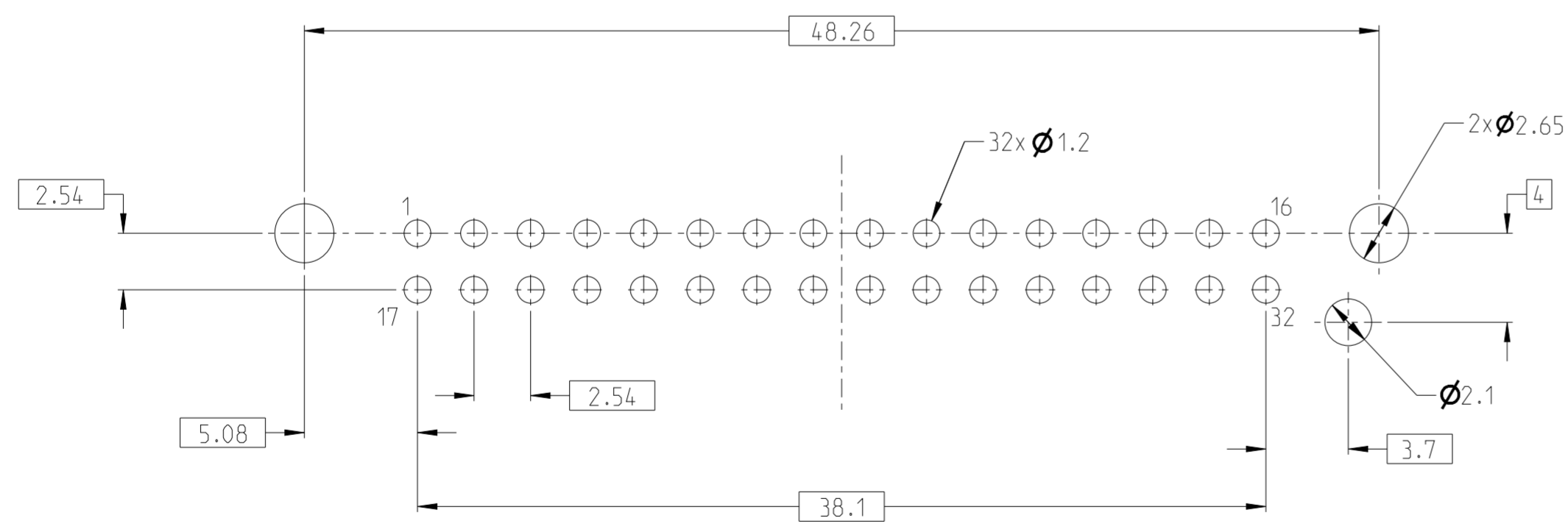
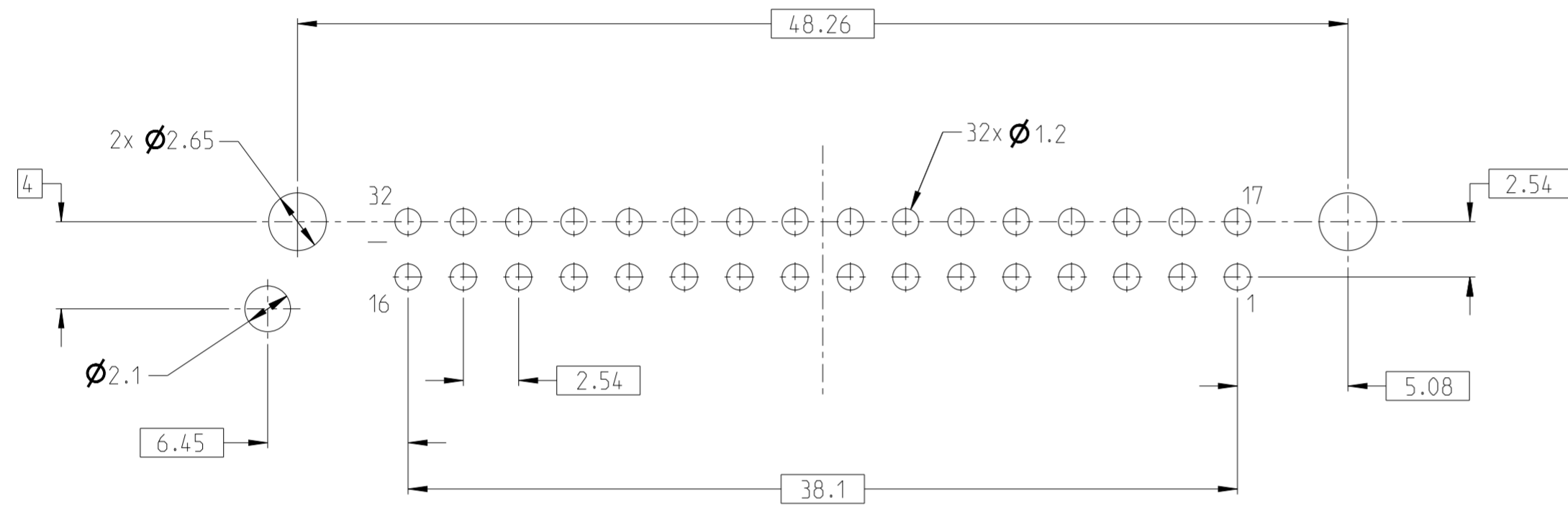
P	LTR	DESCRIPTION	DATE	DWN	APVD
-	-	SEE SHEET 1	-	-	-

RECOMMANDATION IMPLANTATION CI

RECOMMENDED PCB LAYOUT

VUE DE DESSUS / VIEW FROM HEADER MOUNTING SIDE

EPAISSEUR CI / PCB THICKNESS : 1.6 ±0.15



COULEUR: GRIS / COLOUR: GREY

953486-1

2-953486-1

COULEUR: BLEU / COLOUR: BLUE


953486-4

COULEUR: BLEU / COLOUR: BLUE

953486-2

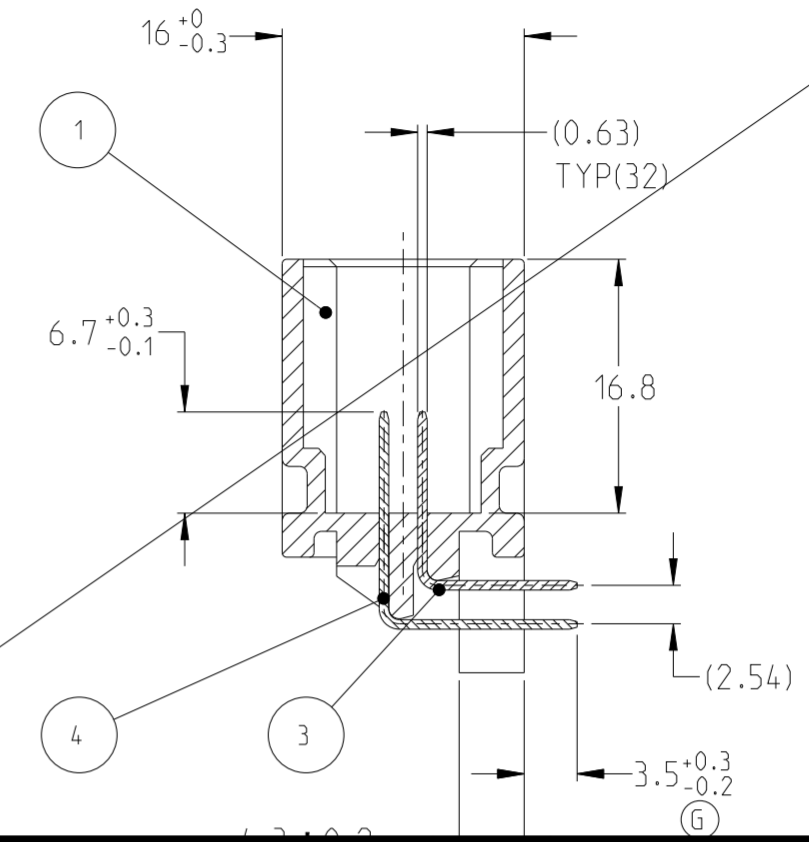
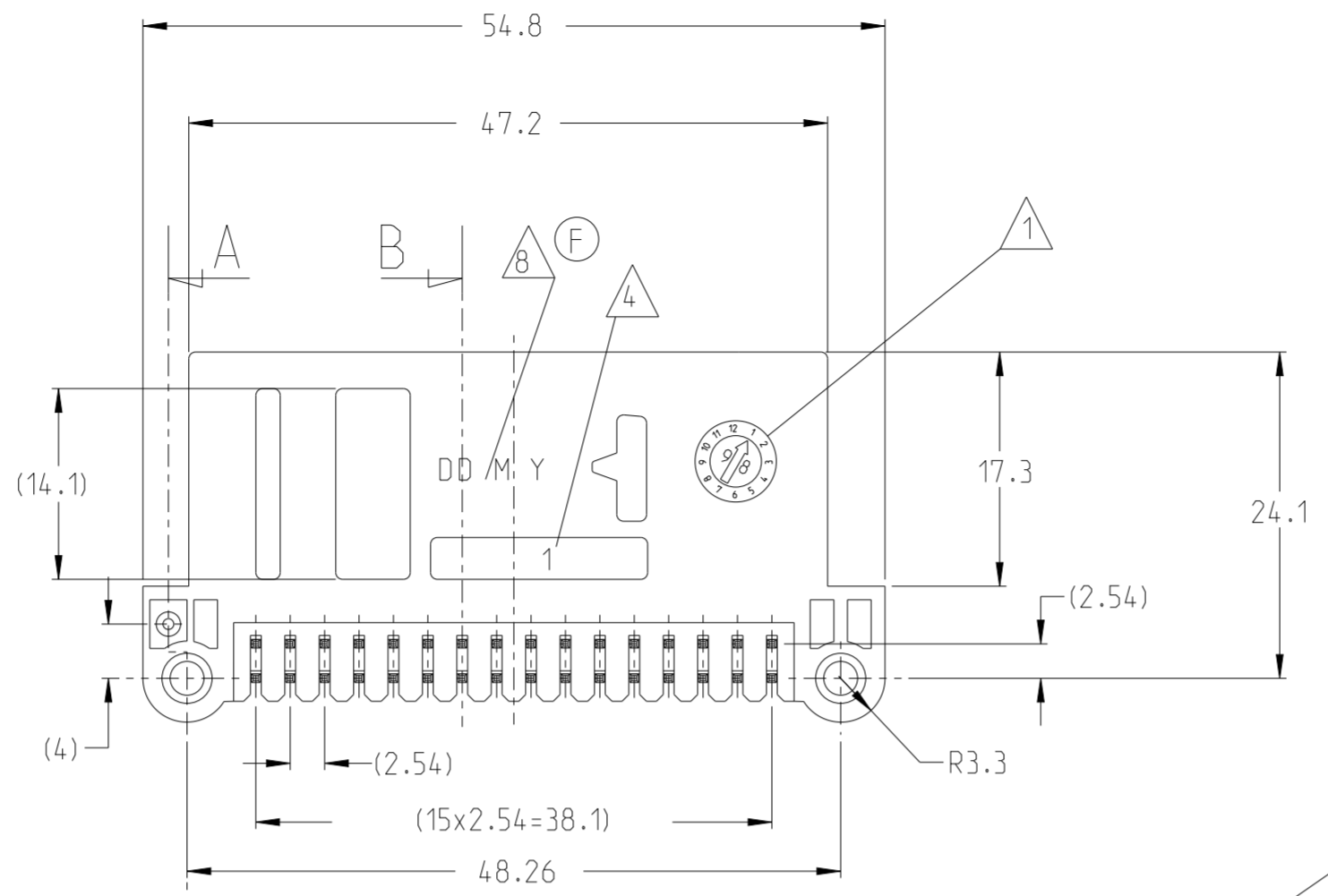
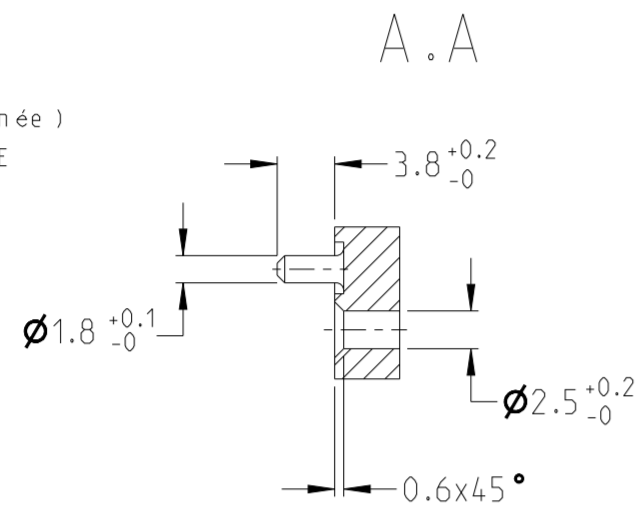
2-953486-2

OBSELETE

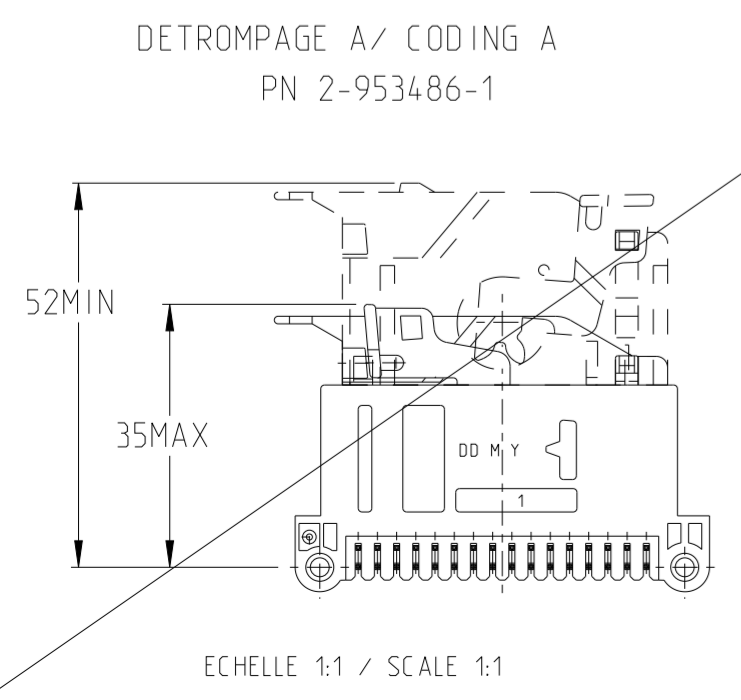
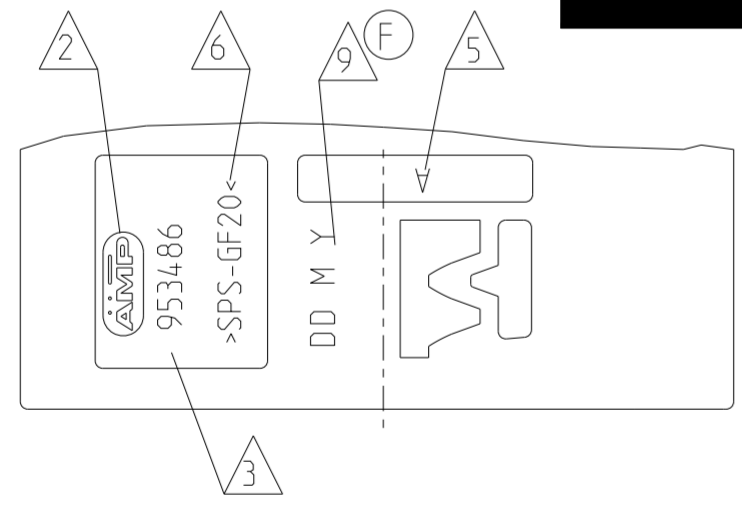
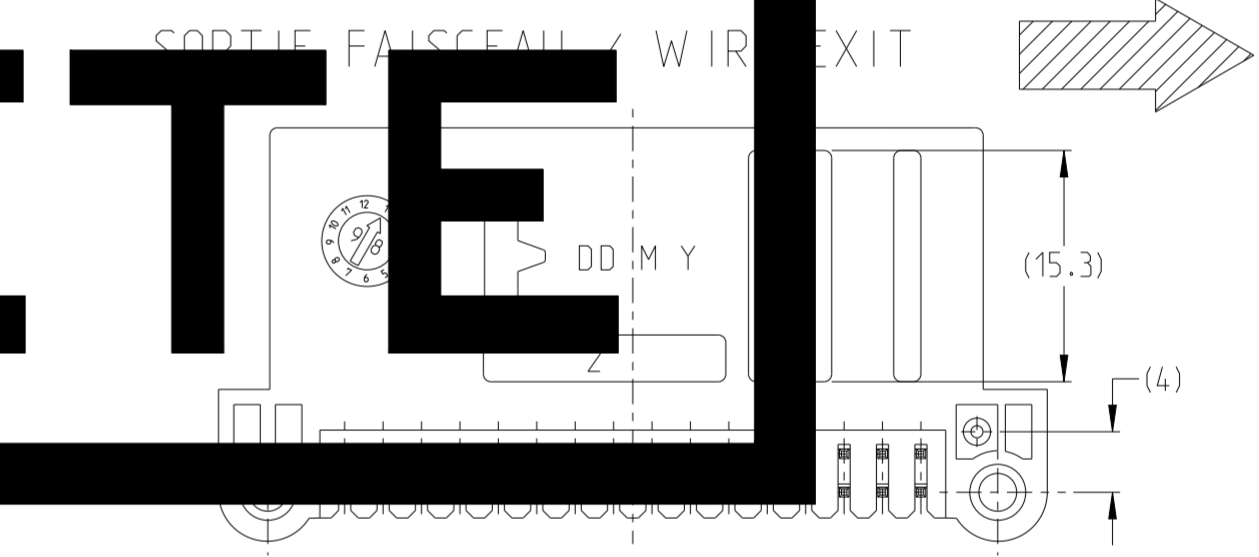
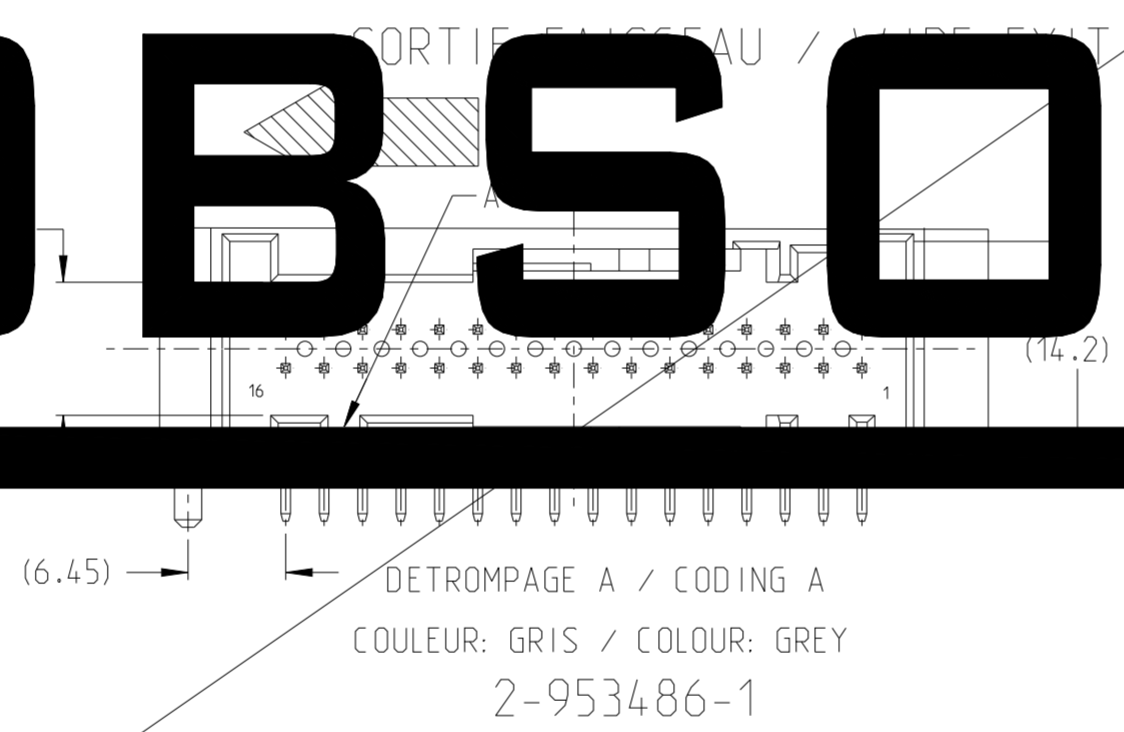
THIS DRAWING IS A CONTROLLED DOCUMENT.		DWN J.LAQUERBE 01JUL98	 TE Connectivity		
DIMENSIONS: mm		CHK J.LAQUERBE 18JUN99			
TOLERANCES UNLESS OTHERWISE SPECIFIED:		APVD J.LAQUERBE 18JUN99	NAME EMBASE 32V MQS COUDEE AVEC OREILLES 32W MQS RIGHT ANGLE HEADER WITH EARS		
0-PEC ± 1-PEC ±0.3 2-PEC ± 3-PEC ± 4-PEC ± ANGLES ±5° FINISH -		PRODUCT SPEC 108-15211	SIZE A2		
MATERIAL -		APPLICATION SPEC -	CAGE CODE 00779	DRAWING NO 953486	RESTRICTED TO -
		WEIGHT 10.7 g	SCALE 2:1	SHEET 2 OF 7	REV L
CUSTOMER DRAWING					

P	LTR	DESCRIPTION	DATE	DWN	APVD
-	-	SEE SHEET 1	-	-	-

- NOTES:
- 1 DATE DE MOULAGE
 - 2 LOGO DE TE
 - 3 REFERENCE DU PRODUIT ASSEMBLE
 - 4 N° D'EMPREINTE DU MOULE
 - 5 REVISION DU MOULE
 - 6 MATIERE
 - 7 CONTRE-PARTIE:
CONNECTEUR REF.929053
 - 8 DATE D'ASSEMBLAGE
(DD = Jour ; M = Mois ; Y = année)
 - 9 ZONE DE MARQUAGE ALTERNATIVE
DE LA DATE D'ASSEMBLAGE.



OBSOLETE



QTY	MATERIAL	DESIGNATION / NAME	COULEUR / COLOR	ITEM
16	CuSn6	MQS LONG CONTACT	POST ETAME / POST TIN	4
16	CuSn6	MQS SHORT CONTACT	POST ETAME / POST TIN	3
1	SPS GF20	BOITIER / HOUSING	BLEU / BLUE	2
-	SPS GF20	BOITIER / HOUSING	GRIS / GREY	1

THIS DRAWING IS A CONTROLLED DOCUMENT.

DIMENSIONS: mm

TOLERANCES UNLESS OTHERWISE SPECIFIED:

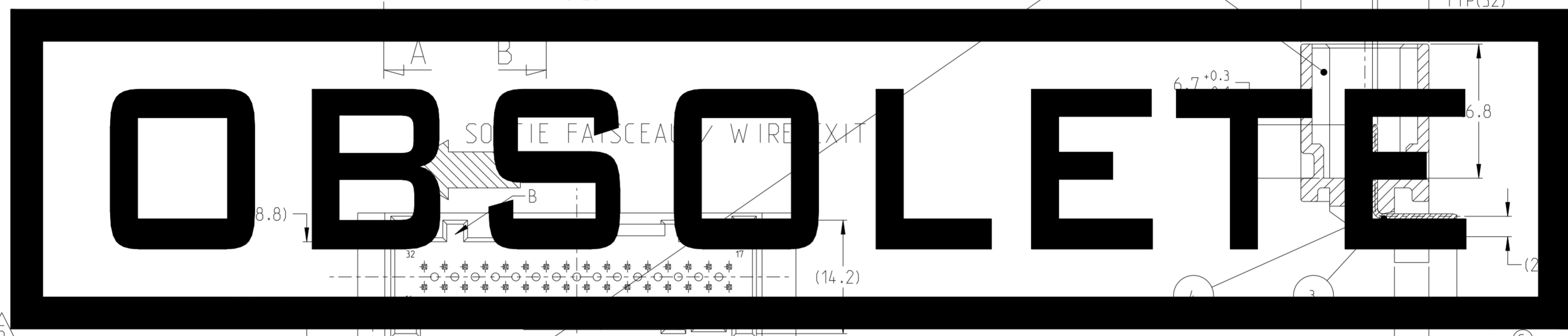
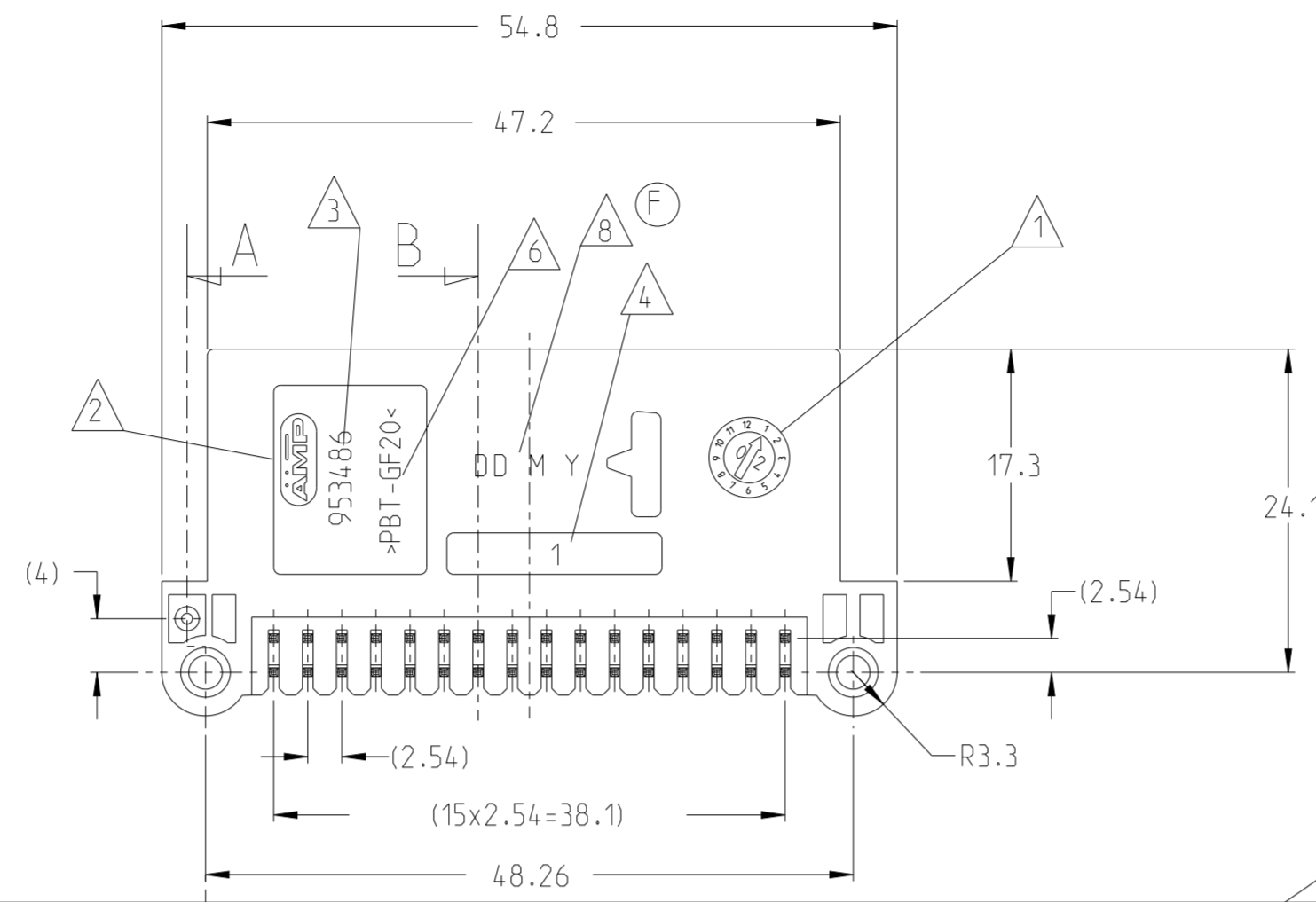
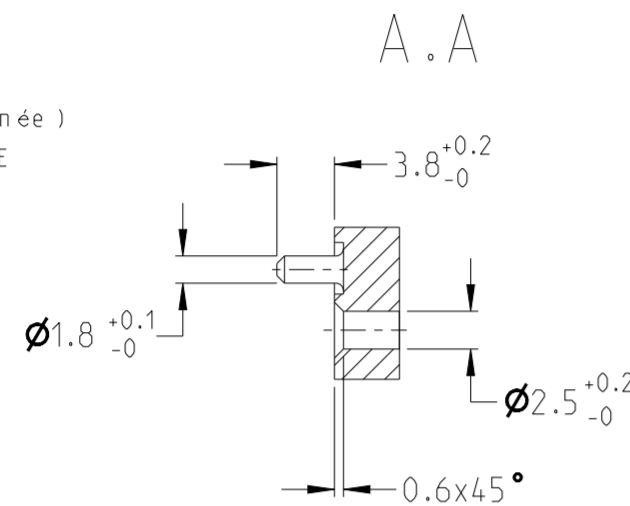
0-PLC	±
1-PLC	±0.3
2-PLC	±
3-PLC	±
4-PLC	±
ANGLES	±5°
FINISH	-

DWN	J LAQUERBE	01JUL98	TE Connectivity
CHK	J LAQUERBE	18JUN99	
APVD	J REVI	18JUN99	
PRODUCT SPEC	108-15211		
APPLICATION SPEC	-	-	NAME EMBASE 32V MQS COUDEE AVEC OREILLES 32W MQS RIGHT ANGLE HEADER WITH EARS
WEIGHT	10.7 g	SCALE	2:1
CUSTOMER DRAWING	A2	CAGE CODE	00779
		DRAWING NO	G-953486
		RESTRICTED TO	-
		SHEET	3 OF 7
		REV	L

P	LTR	DESCRIPTION	DATE	DWN	APVD
-	-	SEE SHEET 1	-	-	-

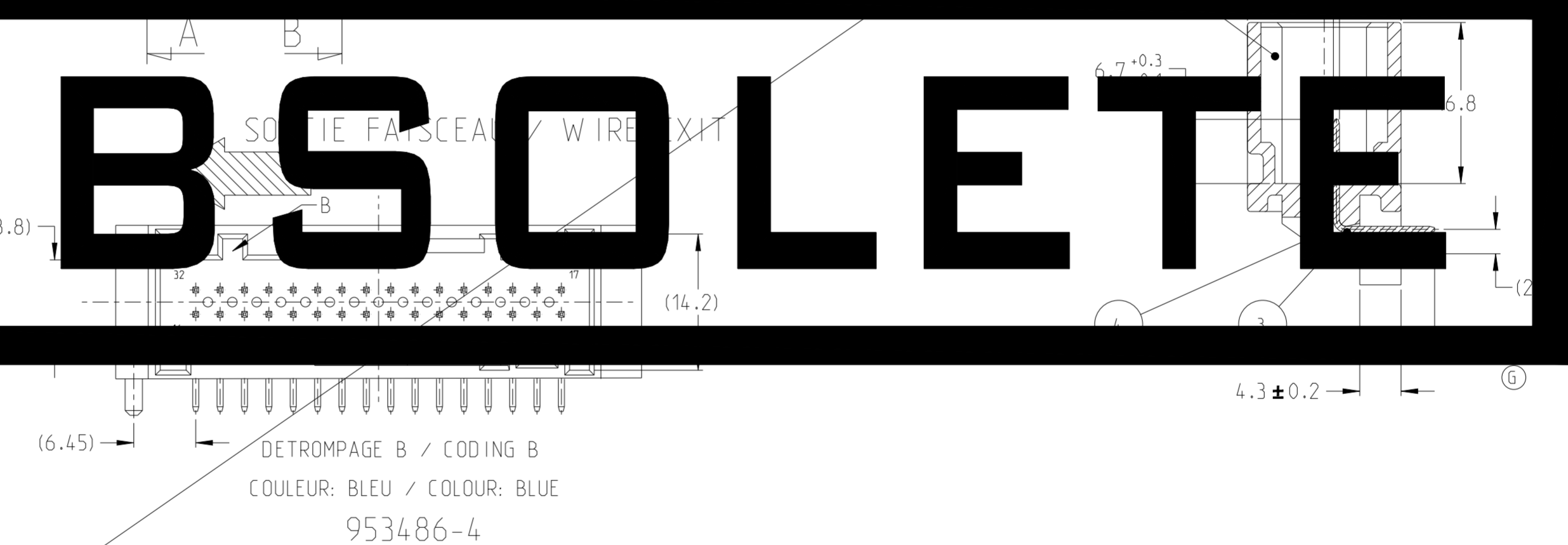
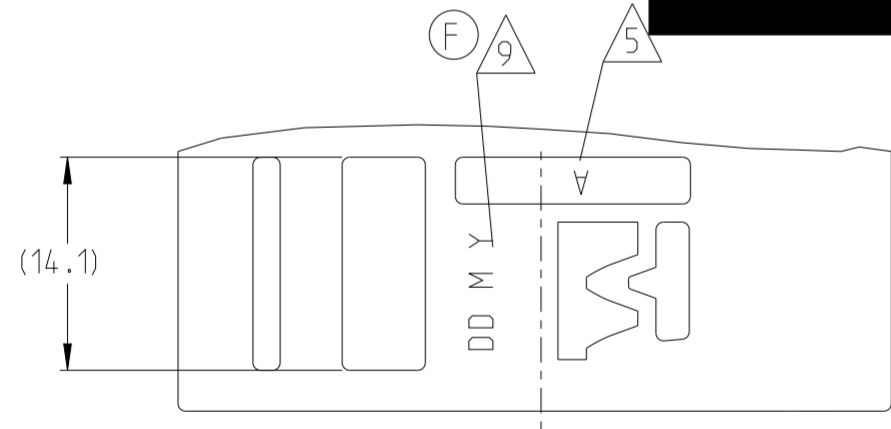
NOTES:

- 1 DATE DE MOULAGE
- 2 LOGO DE TE
- 3 REFERENCE DU PRODUIT ASSEMBLE
- 4 N° D'EMPREINTE DU MOULE
- 5 REVISION DU MOULE
- 6 MATIERE
- 7 CONTRE-PARTIE:
CONNECTEUR REF. 1326140
- 8 DATE D'ASSEMBLAGE
(DD = Jour ; M = Mois ; Y = année)
- 9 ZONE DE MARQUAGE ALTERNATIVE
DE LA DATE D'ASSEMBLAGE.



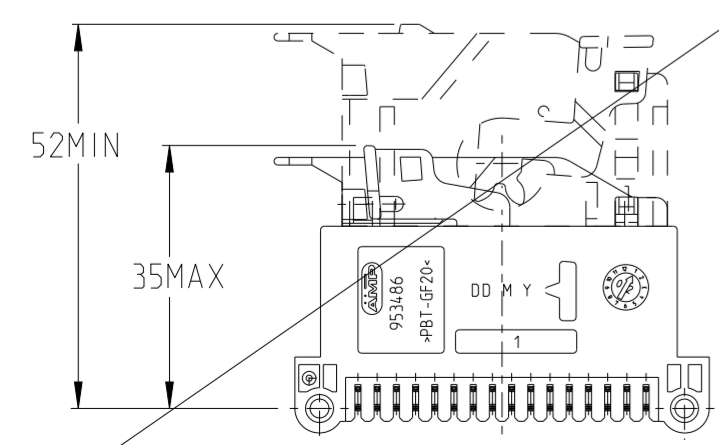
NOTES:

- 1 HOUSING DATE CODE
- 2 TE LOGO
- 3 ASSY PART NUMBER
- 4 CAVITY MARKING
- 5 REVISION STATUS [A]
- 6 MATERIAL REFERENCE
- 7 MATING PART:
CONNECTEUR PN 1326140
- 8 ASSY DATE CODE
(DD = Day ; M = Month ; Y = Year)
- 9 ALTERNATIVE AREA FOR ASSY DATE MARKING.



DETROMPAGE B / CODING B
COULEUR: BLEU / COLOUR: BLUE
953486-4

DETROMPAGE B / CODING B
PN 953486-4



ECHELLE 1:1 / SCALE 1:1

QTY	MATERIAL	DESIGNATION / NAME	COULEUR / COLOR	ITEM
16	CuSn6	MQS LONG CONTACT	POST ETAME / POST TIN	4
16	CuSn6	MQS SHORT CONTACT	POST ETAME / POST TIN	3
1	PBT GF20	BOITIER / HOUSING	BLEU / BLUE	2
-	-	-	-	1

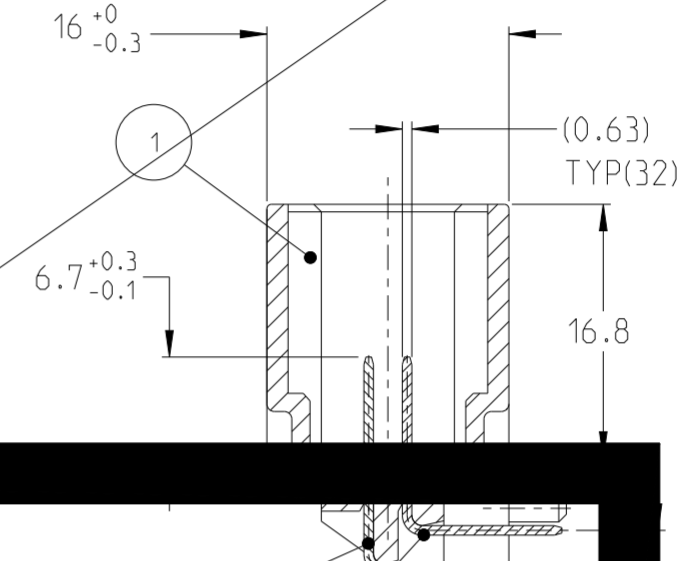
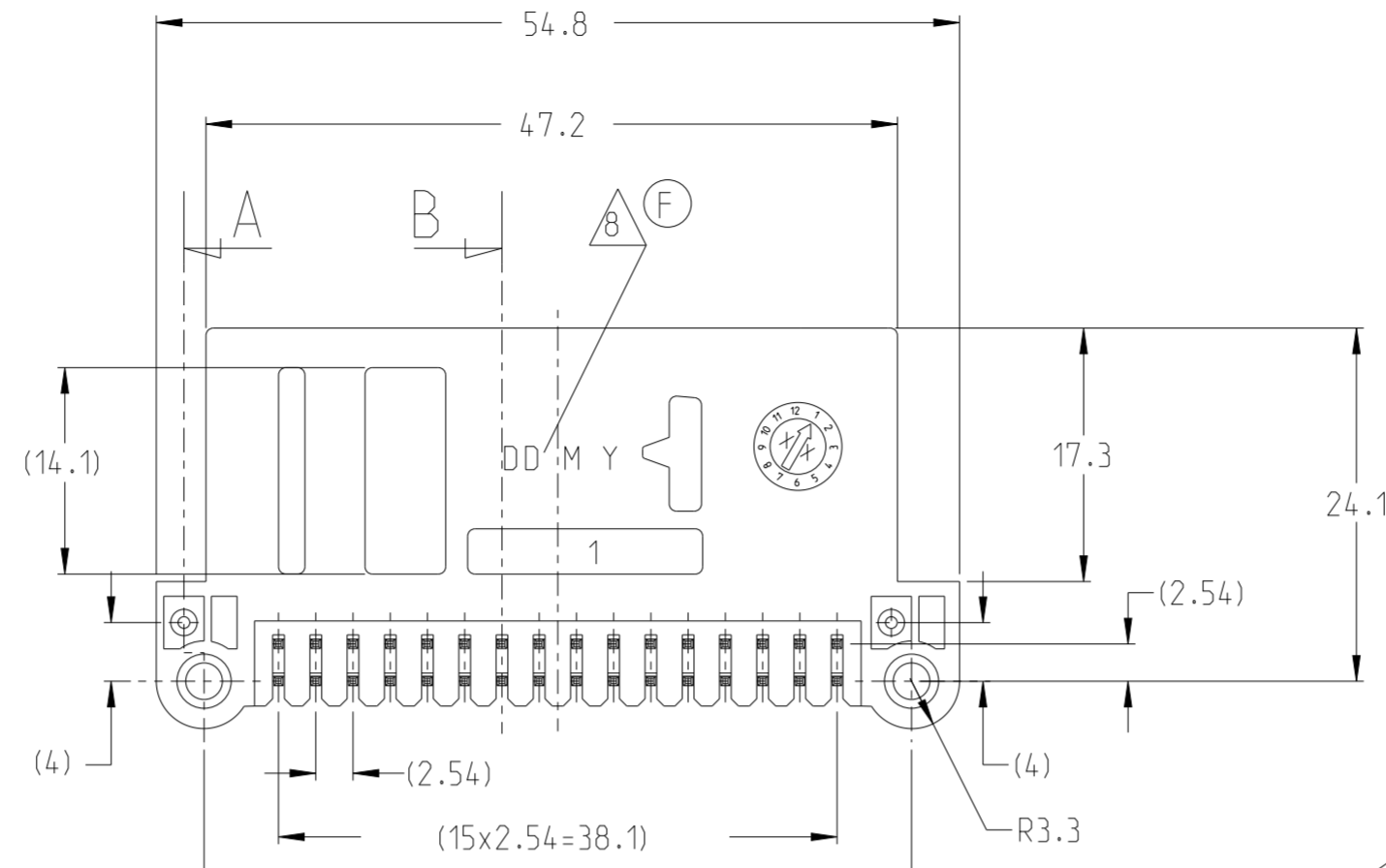
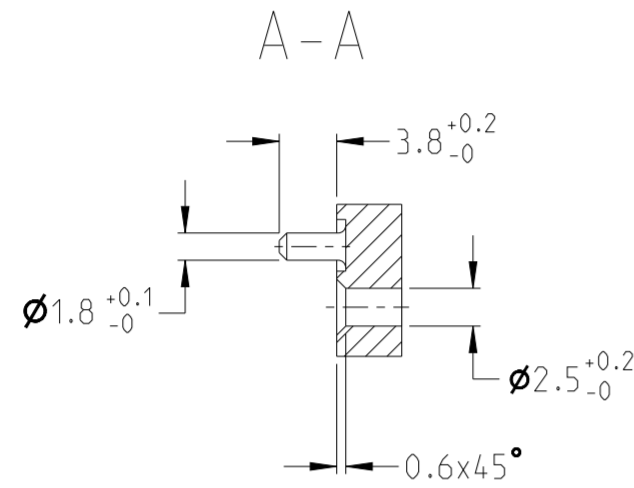
THIS DRAWING IS A CONTROLLED DOCUMENT.	
DIMENSIONS: mm	TOLERANCES UNLESS OTHERWISE SPECIFIED:
0-PLC	±
1-PLC	±0.3
2-PLC	±
3-PLC	±
4-PLC	±
ANGLES	±5°
FINISH	-

DWN	J. LAQUERBE	01JUL98	 TE Connectivity	NAME EMBASE 32V MQS COUDEE AVEC OREILLES 32W MQS RIGHT ANGLE HEADER WITH EARS	
CHK	J. LAQUERBE	18JUN99			
APVD	J. REVI	18JUN99			
PRODUCT SPEC	108-15211	APPLICATION SPEC			
WEIGHT	10.7 g	SIZE	CAGE CODE	DRAWING NO	RESTRICTED TO
CUSTOMER DRAWING	A2	00779	C-953486	-	-
SCALE	2:1	SHEET	4	OF	7
REV	L				

P	LTR	DESCRIPTION	DATE	DWN	APVD
-	-	SEE SHEET 1	-	-	-

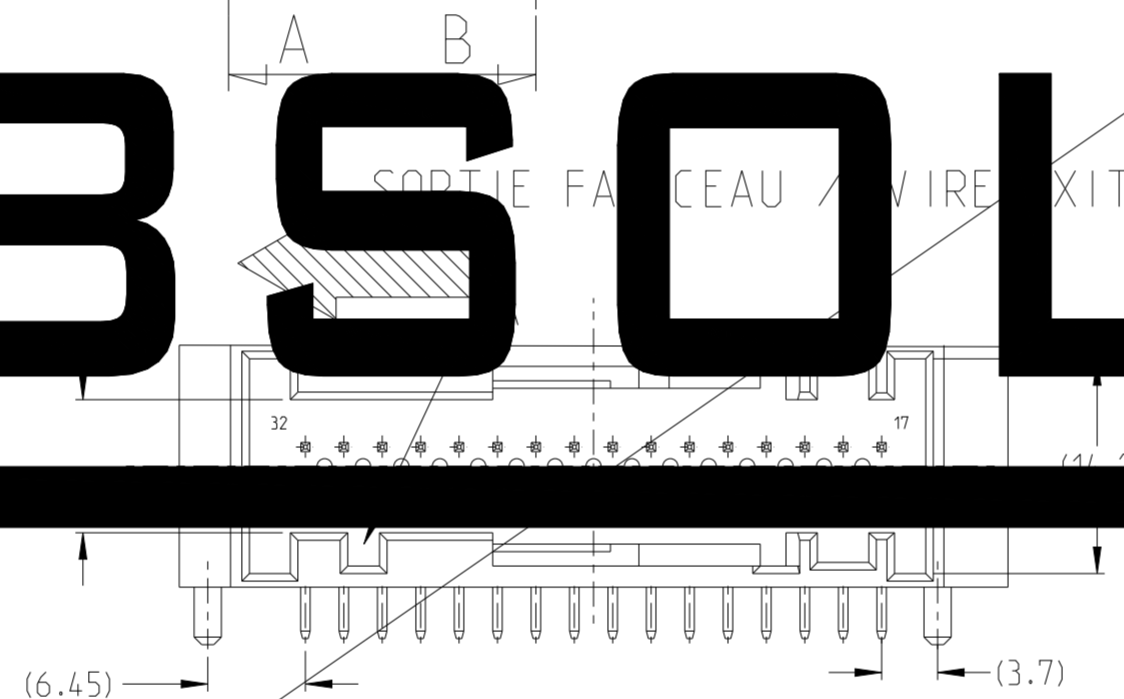
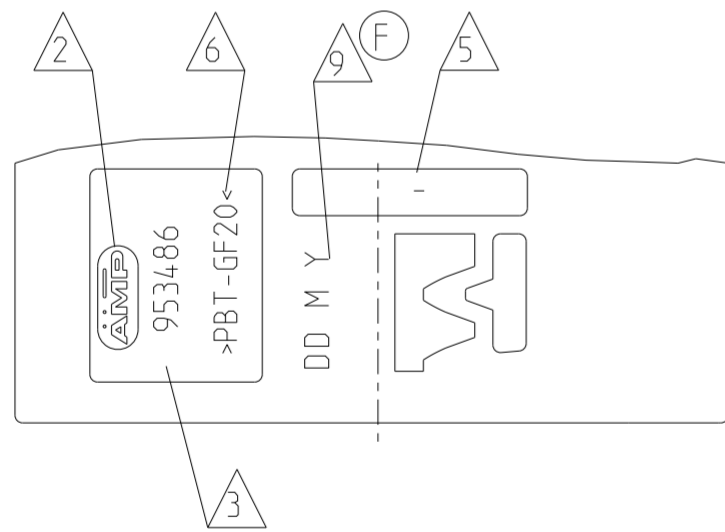
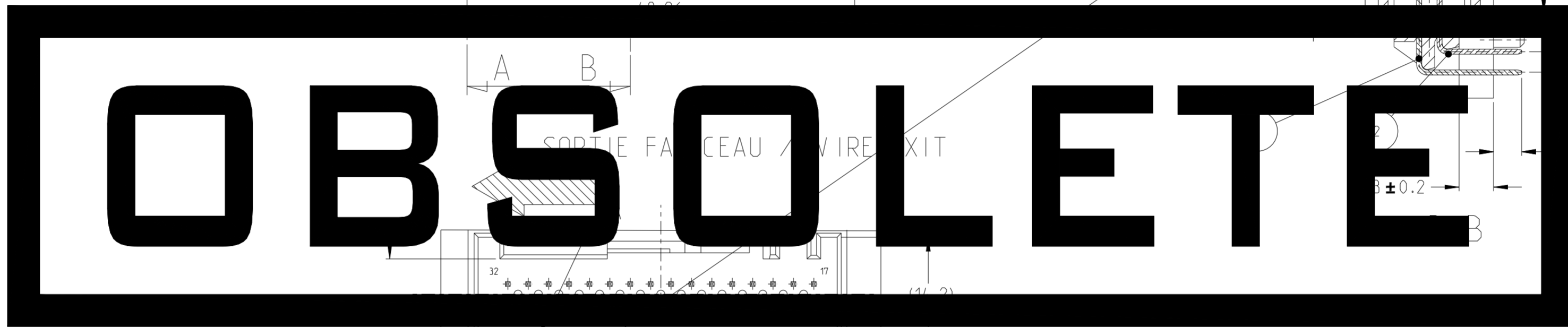
NOTES:

- 1 DATE DE MOULAGE
- 2 LOGO DE TE
- 3 REFERENCE DU PRODUIT ASSEMBLE
- 4 N° D'EMPREINTE DU MOULE
- 5 REVISION DU MOULE
- 6 MATIERE
- 7 CONTRE-PARTIE:
CONNECTEUR REF.929053
- 8 DATE D'ASSEMBLAGE
(DD = Jour ; M = Mois ; Y = année)
- 9 ZONE DE MARQUAGE ALTERNATIVE
DE LA DATE D'ASSEMBLAGE.

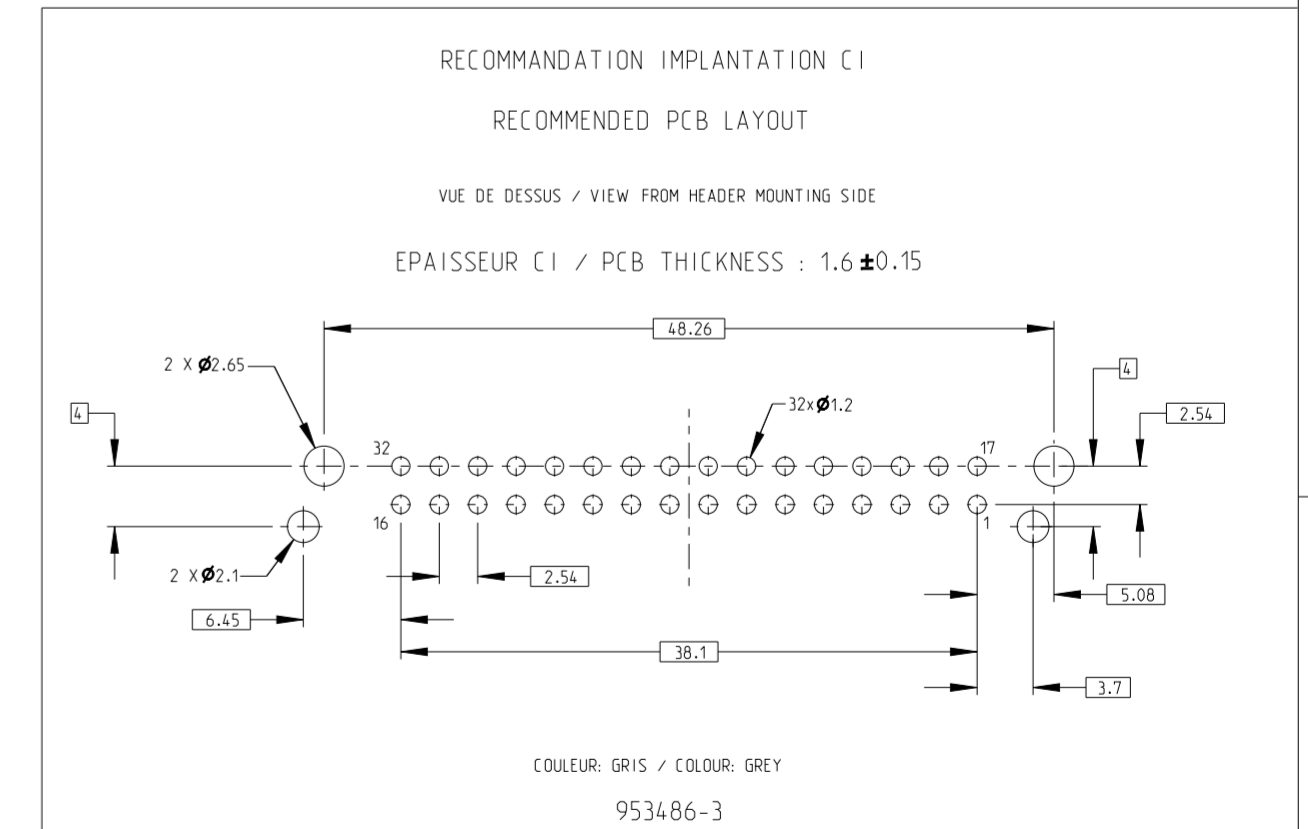
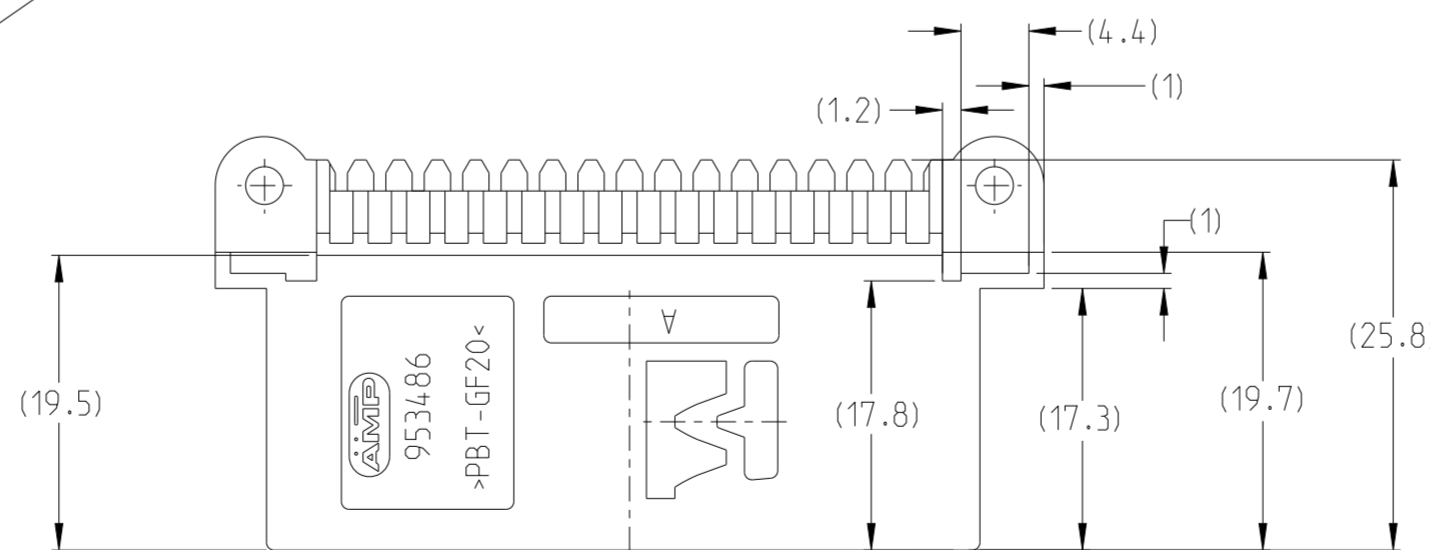


NOTES:

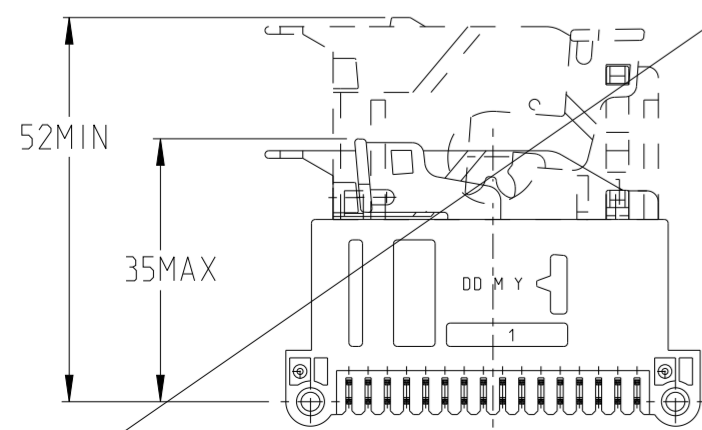
- 1 HOUSING DATE CODE
- 2 TE LOGO
- 3 ASSY PART NUMBER
- 4 CAVITY MARKING
- 5 REVISION STATUS FOR PN953486-3
- 6 MATERIAL REFERENCE
- 7 MATING PART:
CONNECTOR PN 929053
- 8 ASSY DATE CODE
(DD = Day ; M = Month ; Y = Year)
- 9 ALTERNATIVE AREA FOR ASSY DATE MARKING.



DETROMPAGE A / CODING A
COULEUR: GRIS / COLOUR: GREY
953486-3



DETROMPAGE A / CODING A
953486-3



ECHELLE 1:1 / SCALE 1:1

QTY	MATERIAL	DESIGNATION / NAME	COULEUR / COLOR	ITEM
-	16	CuSn6	MQS LONG CONTACT	ETAME / TIN 3
-	16	CuSn6	MQS SHORT CONTACT	ETAME / TIN 2
-	1	PBT GF20	BOITIER / HOUSING (VERSION AVEC 2 PIONS / WITH 2 PINS KEYING VERSION)	GRIS / GREY 1

THIS DRAWING IS A CONTROLLED DOCUMENT.

DIMENSIONS:	TOLERANCES UNLESS OTHERWISE SPECIFIED:
mm	0-PLC ±
	1-PLC ±0.3
	2-PLC ±
	3-PLC ±
	4-PLC ±
MATERIAL	ANGLES ±5°
	FINISH

DWN	JJ LAQUERBE	01JUL98
CHK	JJ LAQUERBE	18JUN99
APVD	JJ REVI	18JUN99
PRODUCT SPEC	108-15211	
APPLICATION SPEC		
WEIGHT	10.7 g	
CUSTOMER DRAWING		

RECOMMENDED PCB LAYOUT

VUE DE DESSUS / VIEW FROM HEADER MOUNTING SIDE

EPAISSEUR C1 / PCB THICKNESS : 1.6 ±0.15

COULEUR: GRIS / COLOUR: GREY
953486-3

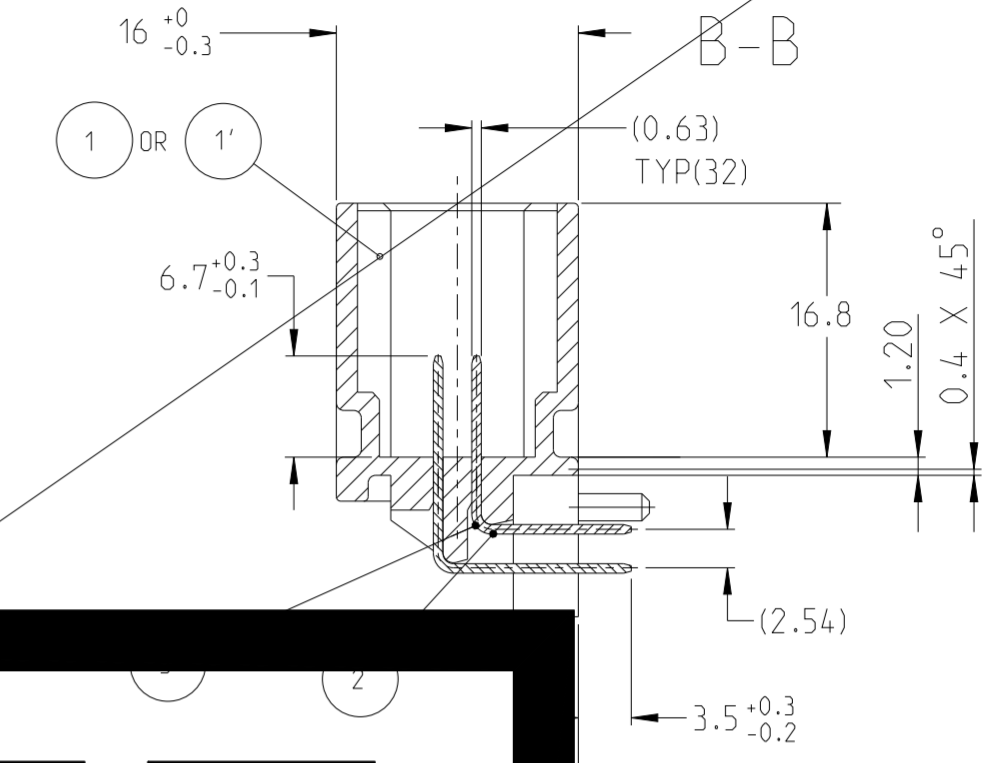
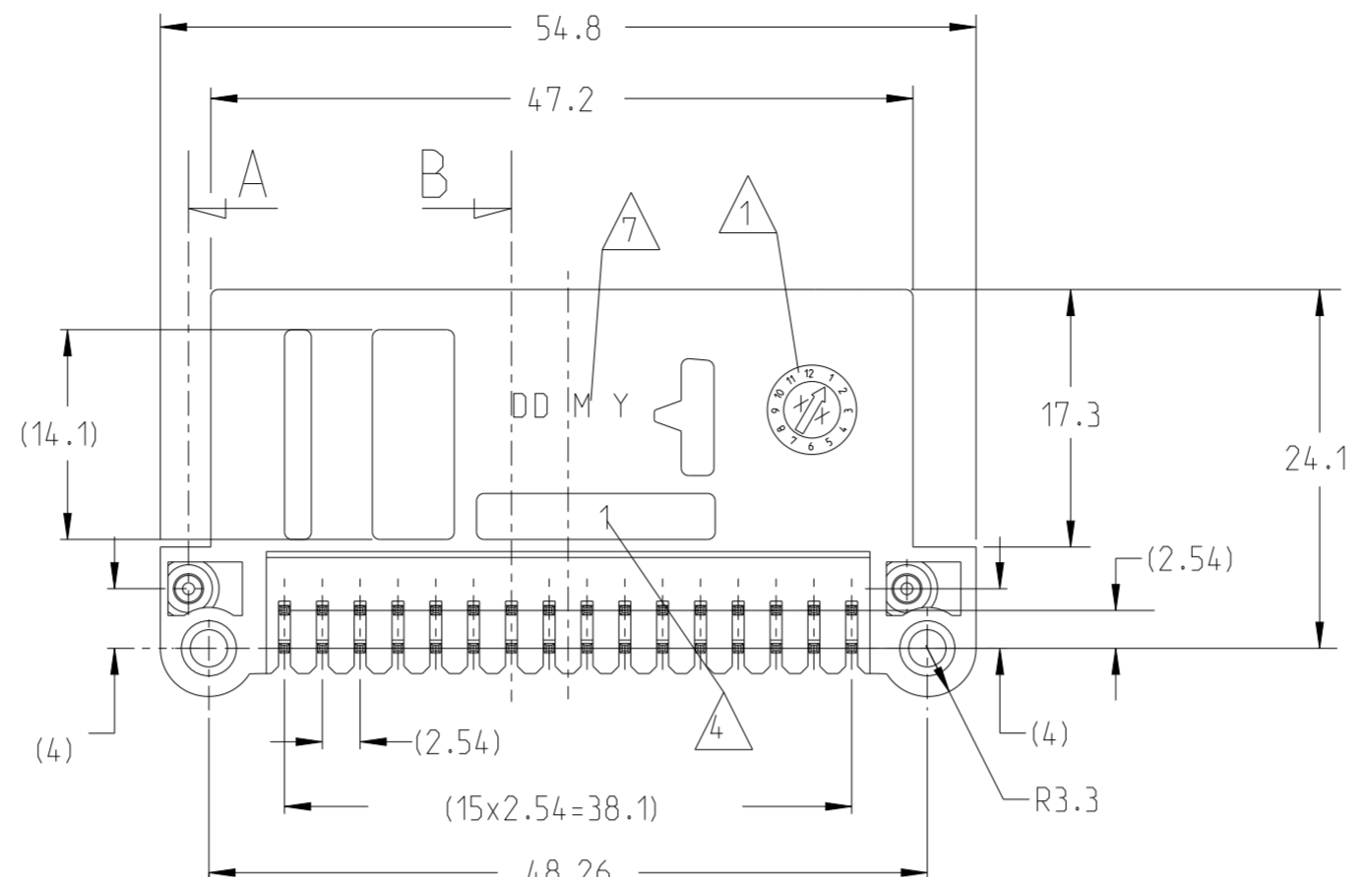
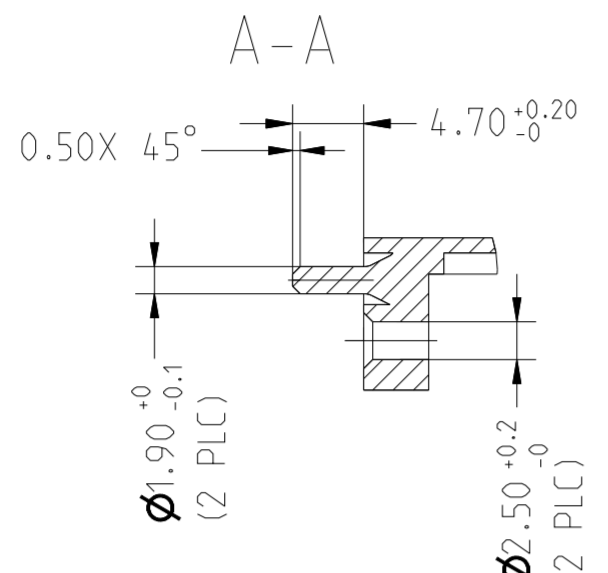
TE Connectivity

NAME	EMBASE 32V MQS COUDEE AVEC OREILLES 32W MQS RIGHT ANGLE HEADER WITH EARS		
SIZE	CAGE CODE	DRAWING NO	RESTRICTED TO
A2	00779	953486	-
SCALE	2:1	SHEET	5 OF 7
REV	L		

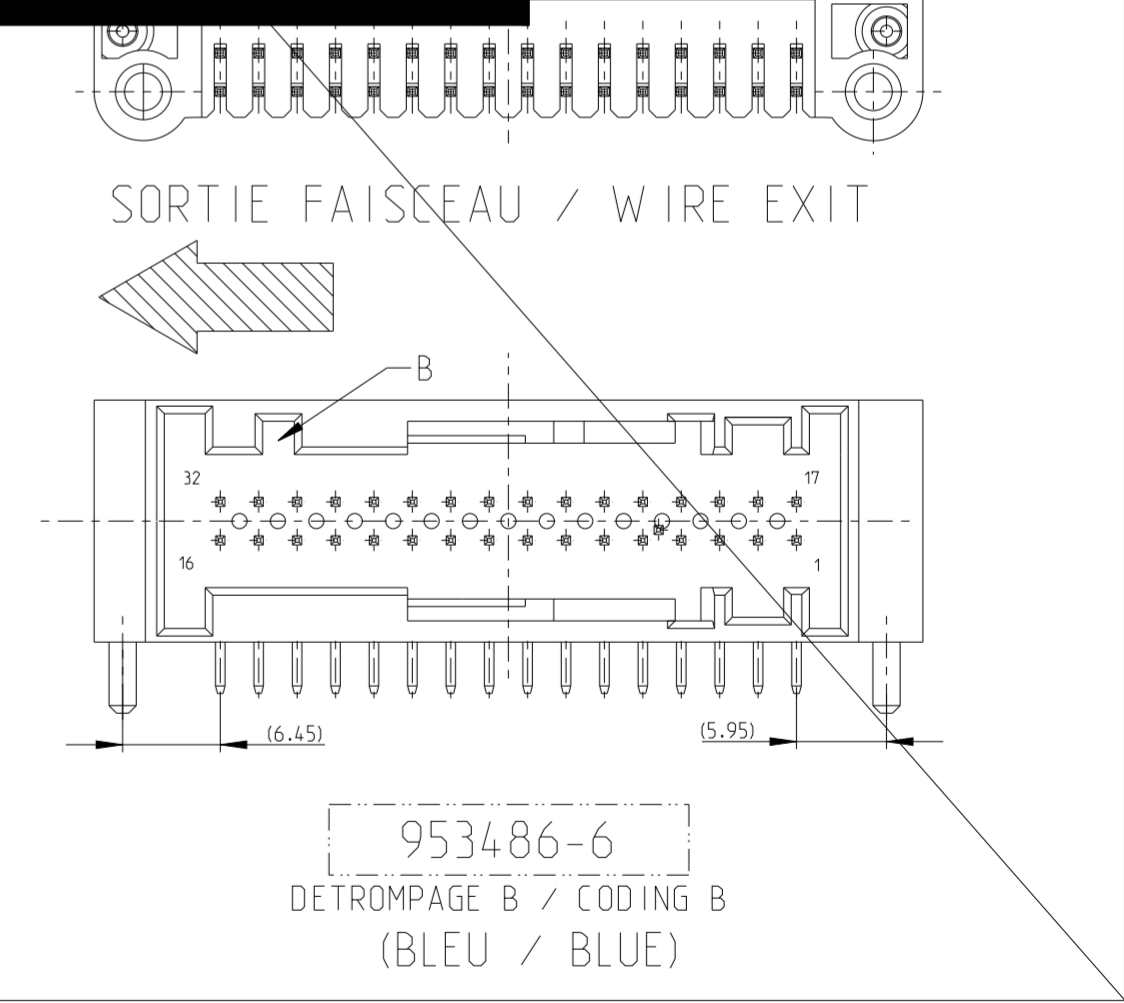
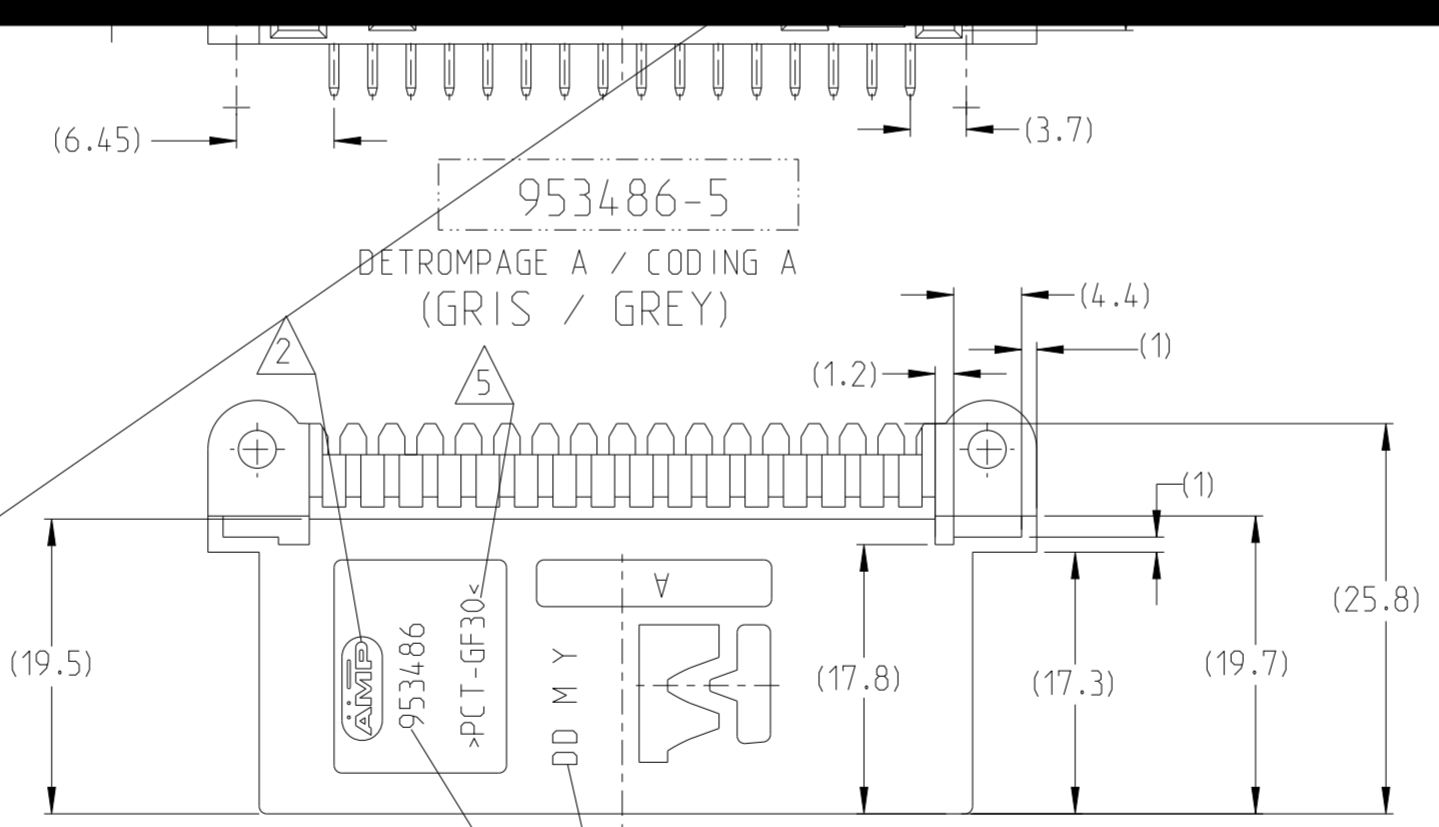
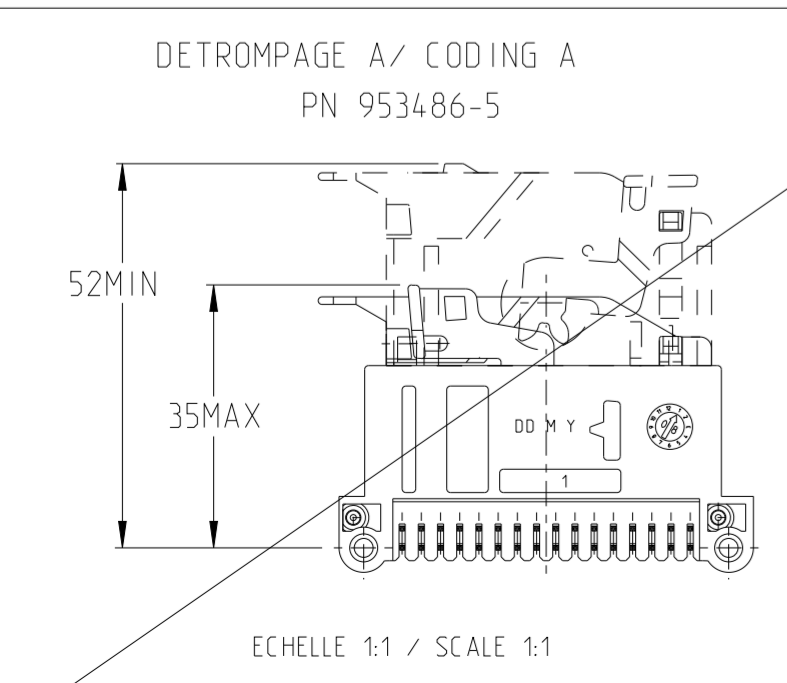
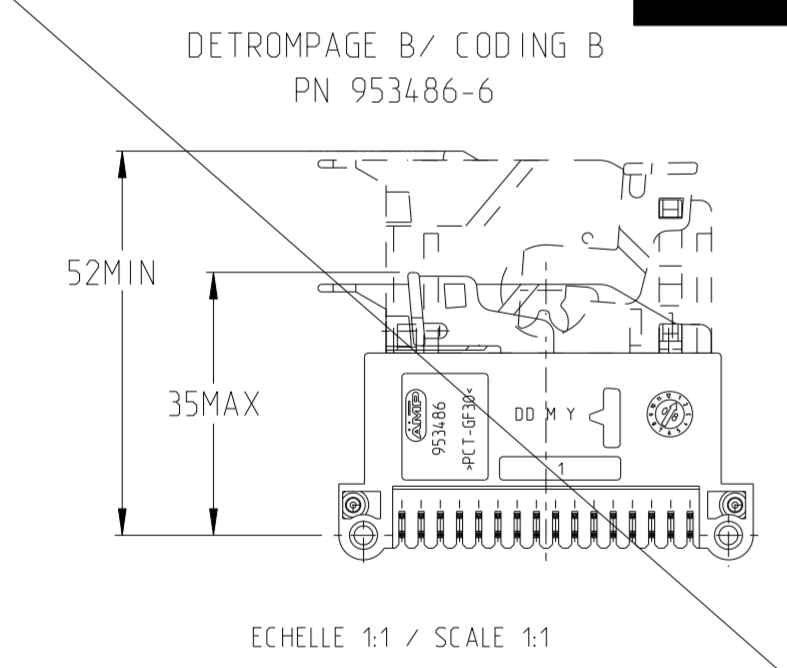
P	LTR	DESCRIPTION	DATE	DWN	APVD
-	-	SEE SHEET 1	-	-	-

- NOTES:**
- 1 DATE DE MOULAGE
 - 2 LOGO DE TE
 - 3 REFERENCE DU PRODUIT ASSEMBLE
 - 4 N° D'EMPREINTE DU MOULE
 - 5 MATIERE
 - 6 CONTRE-PARTIE:
CONNECTEUR REF.929053
 - 7 DATE D'ASSEMBLAGE
(DD = Jour ; M = Mois ; Y = année)
 - 8 ZONE DE MARQUAGE ALTERNATIVE
DE LA DATE D'ASSEMBLAGE.

- NOTES:**
- 1 HOUSING DATE CODE
 - 2 TE LOGO
 - 3 ASSY PART NUMBER
 - 4 CAVITY MARKING
 - 5 MATERIAL REFERENCE
 - 6 MATING PART:
CONNECTOR PN 929053
 - 7 ASSY DATE CODE
(DD = Day ; M = Month ; Y = Year)
 - 8 ALTERNATIVE AREA FOR ASSY DATE MARKING.



OBSOLETE



ASSY. PN	QTY	MATERIAL	DESIGNATION / NAME	COULEUR / COLOR	ITEM
953486-6	16	CuSn6	MQS LONG CONTACT	ETAME / TIN	3
953486-5	16		MQS SHORT CONTACT	BLEU / BLUE	2
PCT GF30	1	PCT GF30	BOITIER / HOUSING (VERSION AVEC 2 PIONS / WITH 2 PINS KEYING VERSION)	GRIS / GREY	1
	1		BOITIER / HOUSING (VERSION AVEC 2 PIONS / WITH 2 PINS KEYING VERSION)	BLEU / BLUE	1

THIS DRAWING IS A CONTROLLED DOCUMENT.

DIMENSIONS:	TOLERANCES UNLESS OTHERWISE SPECIFIED:	DWN	01JUL98	STE TE Connectivity
mm	0-PLC ±	CHK	18JUN99	
	1-PLC ±0.3	APVD	18JUN99	NAME EMBASE 32V MQS COUDEE AVEC OREILLES 32W MQS RIGHT ANGLE HEADER WITH EARS
	2-PLC ±	PRODUCT SPEC	108-15211	
	3-PLC ±	APPLICATION SPEC	-	SIZE
	4-PLC ±	WEIGHT	10.7 g	CAGE CODE
	ANGLES	CUSTOMER DRAWING	-	DRAWING NO
	FINISH	SCALE	2:1	RESTRICTED TO

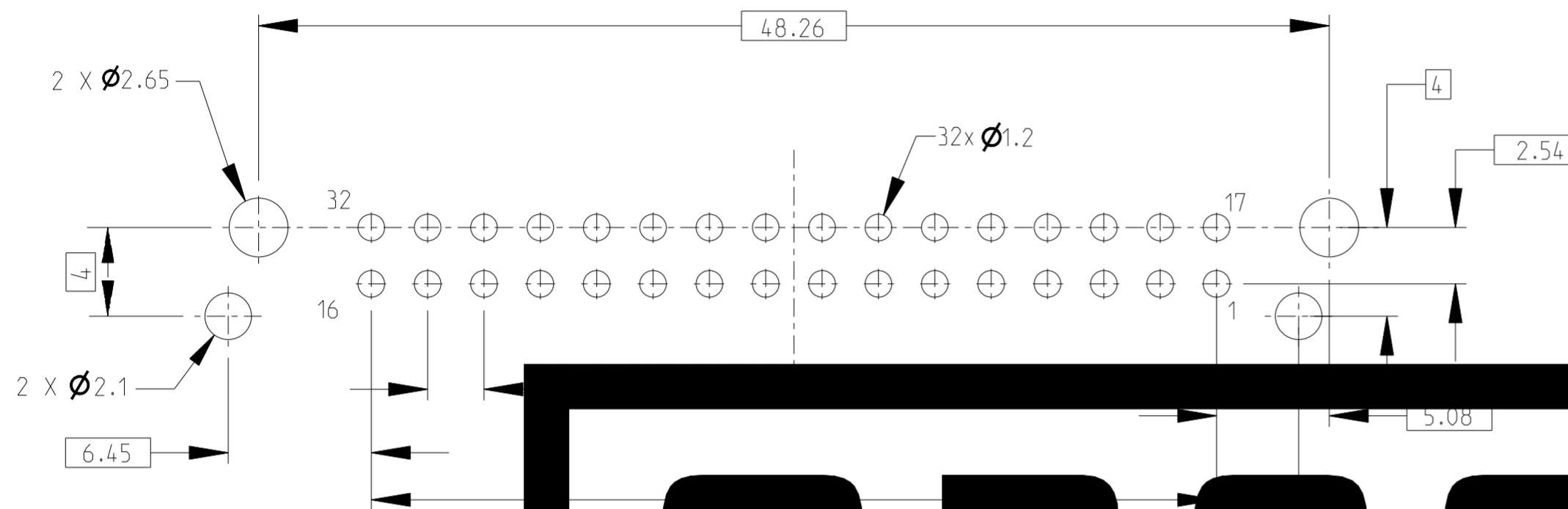
SCALE 2:1 SHEET 6 OF 7 REV L

P	LTR	DESCRIPTION	DATE	DWN	APVD
-		SEE SHEET 1	-	-	-

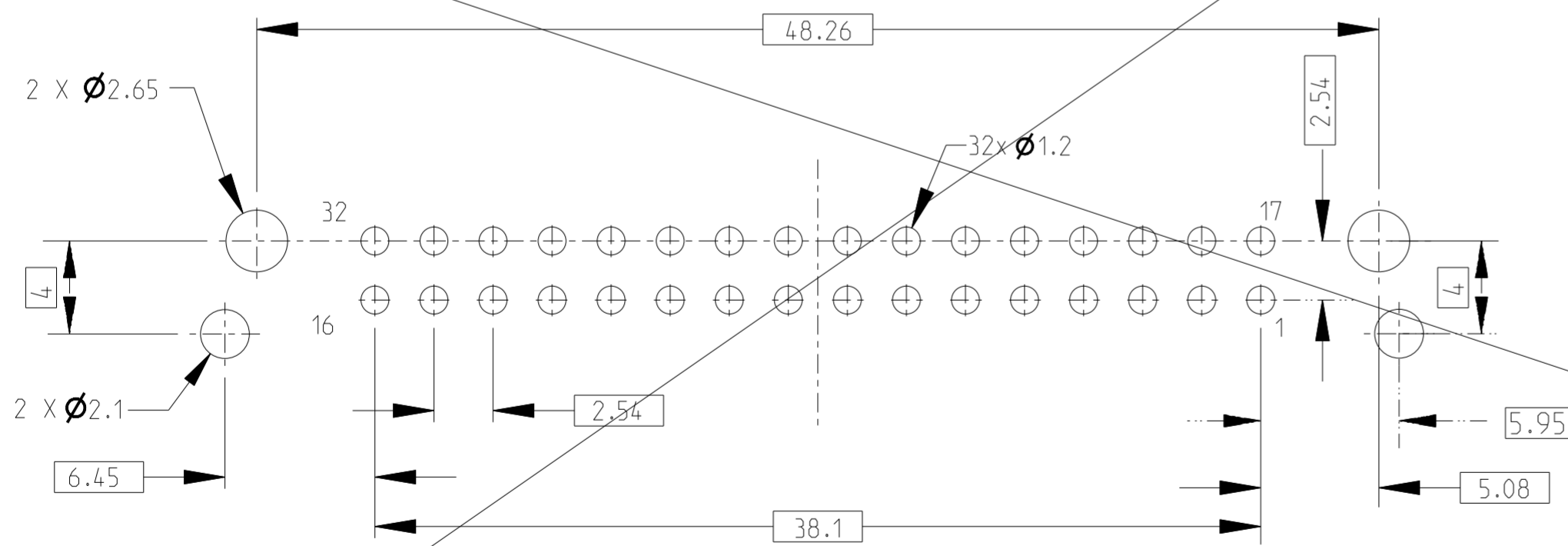
RECOMMANDATION IMPLANTATION CI
 RECOMMENDED PCB LAYOUT
 VUE DE DESSUS / VIEW FROM HEADER MOUNTING SIDE
 EPAISSEUR CI / PCB THICKNESS : 1.6 ±0.15

P/N ASS'Y
 REF. ASSEMBLEE

953486-5
 (GRIS / GREY)



OBSOLETE



953486-6
 (BLEU / BLUE)

THIS DRAWING IS A CONTROLLED DOCUMENT.

DIMENSIONS:	TOLERANCES UNLESS OTHERWISE SPECIFIED:
mm	0-PLC ±
	1-PLC ±0.3
	2-PLC ±
	3-PLC ±
	4-PLC ±
ANGLES	±5°
MATERIAL	FINISH
-	-

DWN	J.LAQUERBE	01JUL98
CHK	J.LAQUERBE	18JUN99
APVD	J.LAQUERBE	18JUN99
PRODUCT SPEC	JJ REVI	
APPLICATION SPEC	108-15211	
WEIGHT	10.7 g	
CUSTOMER DRAWING		



EMBASE 32V MQS COUDEE AVEC OREILLES
 32W MQS RIGHT ANGLE HEADER WITH EARS

SIZE	CAGE CODE	DRAWING NO	RESTRICTED TO
A2	00779	953486	-
SCALE	SHEET	REV	
2:1	7 OF 7	L	