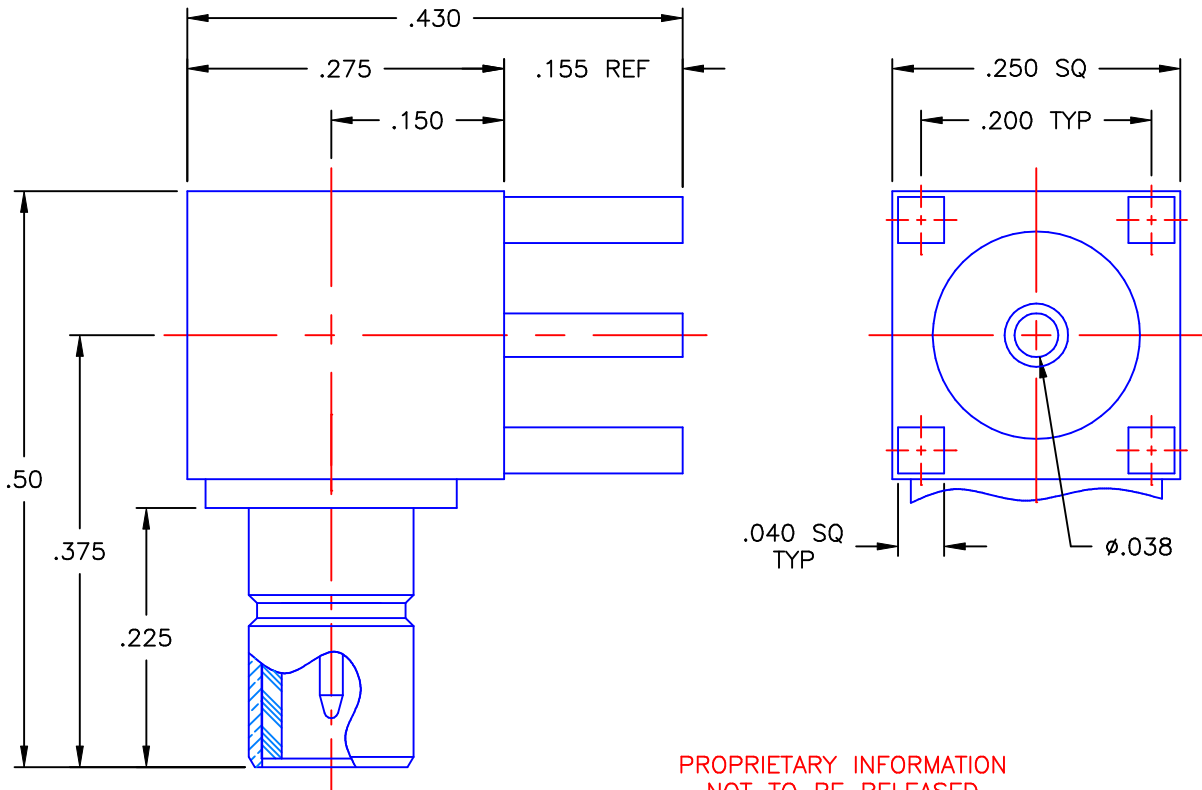


| REVISIONS |             |          |          |
|-----------|-------------|----------|----------|
| REV       | DESCRIPTION | DATE     | APPROVED |
| B         | ECO #4098   | 04/27/01 | A.D.M.   |



PROPRIETARY INFORMATION  
NOT TO BE RELEASED  
WITHOUT WRITTEN PERMISSION  
FROM AN AUTHORIZED  
REPRESENTATIVE OF  
APPLIED ENGINEERING PRODUCTS


**NOTES:** CONFORMS TO MIL-PRF-39012 SMB SERIES

**MATERIALS:**

1. INSULATORS = VIRGIN WHITE TEFLON PER ASTM D1710, GRADE 1, TYPE I, CLASS "A".
2. ALL OTHER METAL PARTS = BRASS PER ASTM B16, ALLOY C36000, TEMPER H02.

**FINISHES:**

1. CONTACTS = GOLD PLATE PER MIL-G-45204, TYPE II, CLASS 1, GRADE C, OVER .00010 TO .00020 STRESS FREE SULFAMATE NICKEL PER QQ-N-290.
2. ALL OTHER METAL PARTS = GOLD PLATE PER MIL-G-45204, TYPE II, CLASS 0, GRADE C, OVER .00010 TO .00020 COPPER STRIKE PER MIL-C-14550.

|   |       |  |                   |  |
|---|-------|--|-------------------|--|
| UNLESS OTHERWISE SPECIFIED<br>DIMENSIONS ARE IN INCHES<br>TOLERANCES ON |       | DWN:<br>A.D.M.                         | DATE<br>04/27/01  |  <b>APPLIED ENGINEERING PRODUCTS</b><br>104 John W. Murphy Dr.<br>New Haven, CT 06513 |
|   |       | CHKD:<br>D.N.                          | DATE<br>04/27/01  |  |
| DECIMAL   | ANGLE | APVD:<br>D.J.C.                        | DATE<br>04/27/01  |  |
| REFERENCE:  |       | MATERIALS & FINISHES:<br><br>SEE NOTES |                   |  |
| ORIGINATOR: D.N.<br>DATE: 12/09/96                                      |       | SIZE<br>A                              | FSCM NO.<br>19505 | DWG. NO.<br>2010-1511-000  |
|   |       | SCALE 6:1                              |                   | REV B  |
|   |       |  |                   | SHEET 1 OF 1   |

2010-1511-000