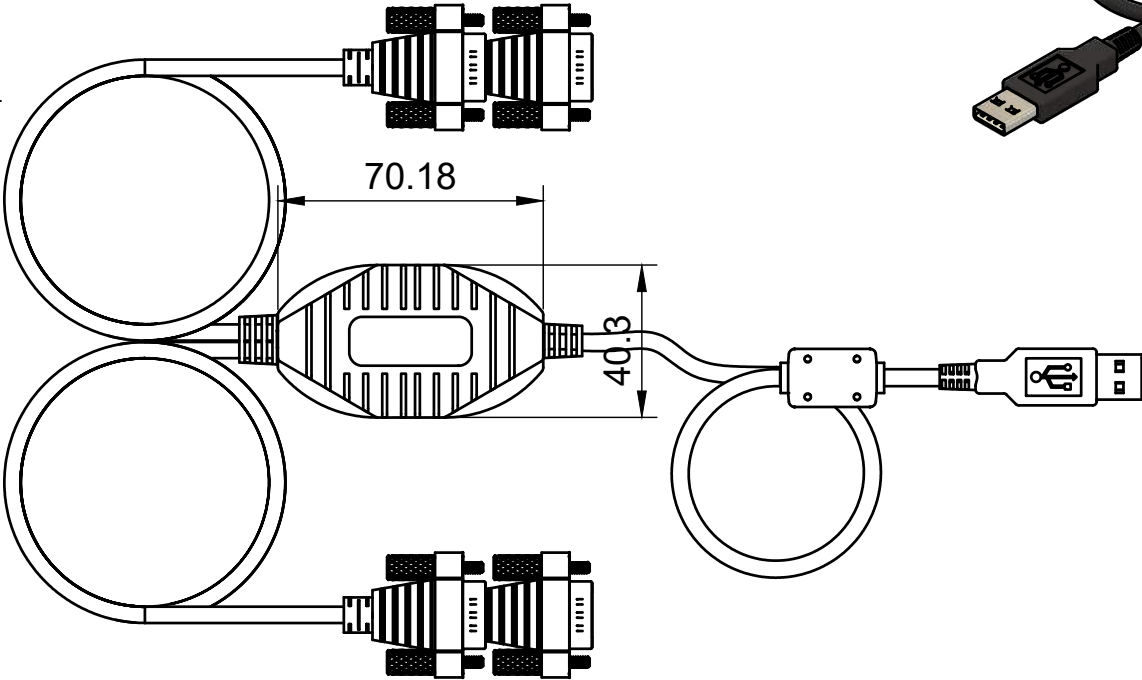
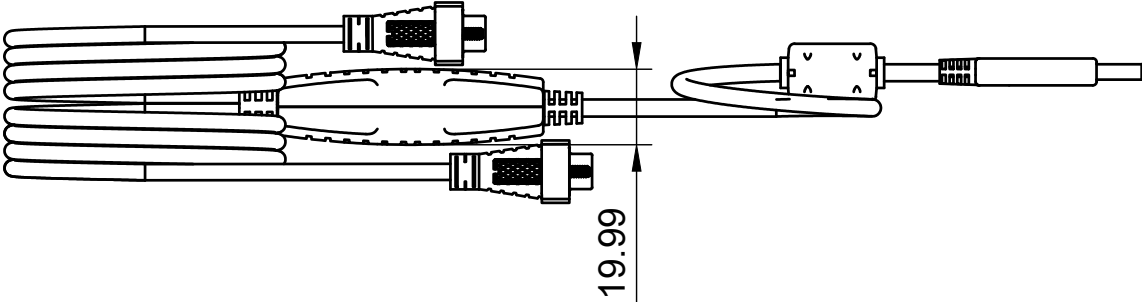

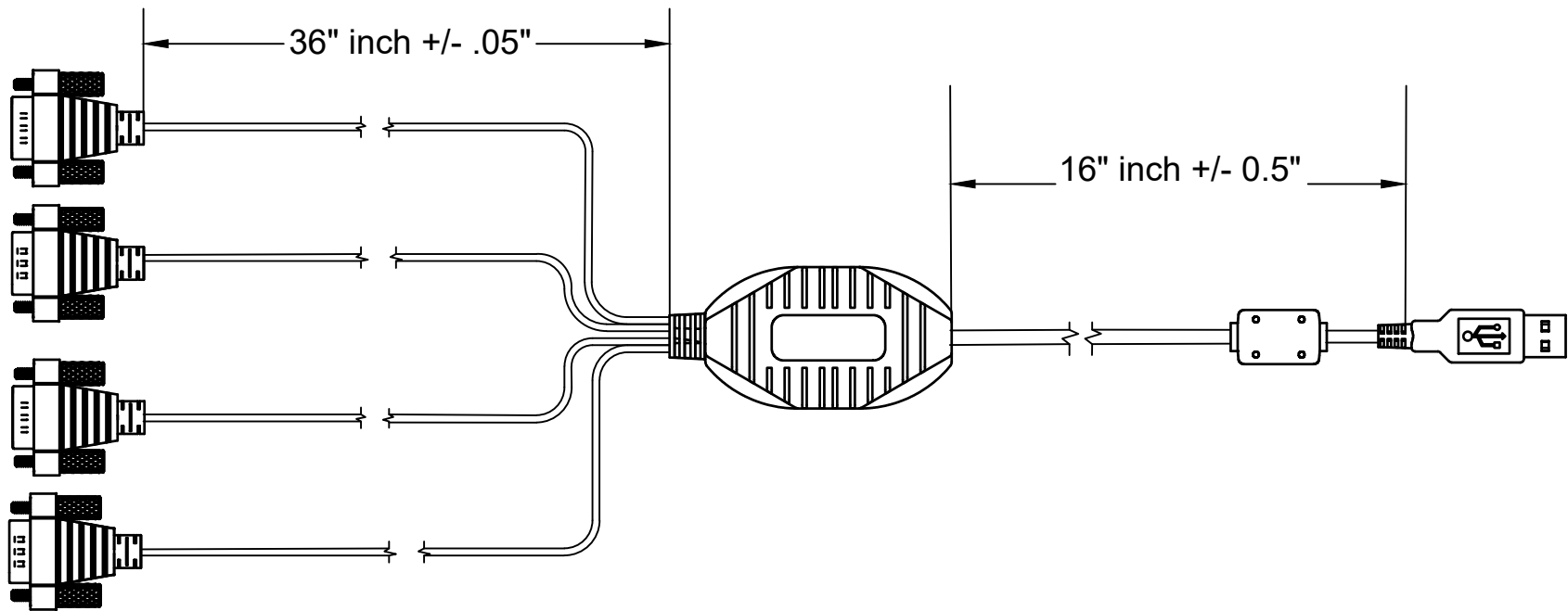



Basic Measurements



		Model #:	
		USA-FTDI4X	
Drawn by: Leo Pinto		Scale: 1:2	Units: mm
Drawn Date: 5/25/21		Tolerance: +/- 0.15mm	
Notes:		Contact: support@gearmo.com	
		Web: gearmo.com	
		A4	1/2



	Model #: USA-FTDI4X	
	Drawn by: Leo Pinto	Scale: 1:2
Drawn Date: 5/25/21	Tolerance: +/- 0.15mm	
Notes:	Contact: support@gearmo.com	
	Web: gearmo.com	
	A4	2/2