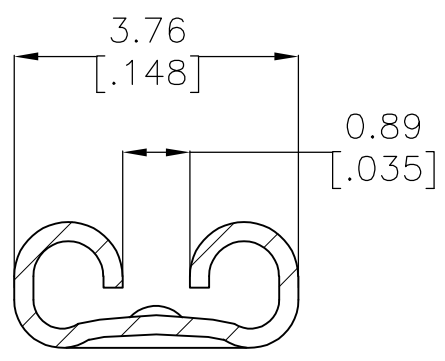
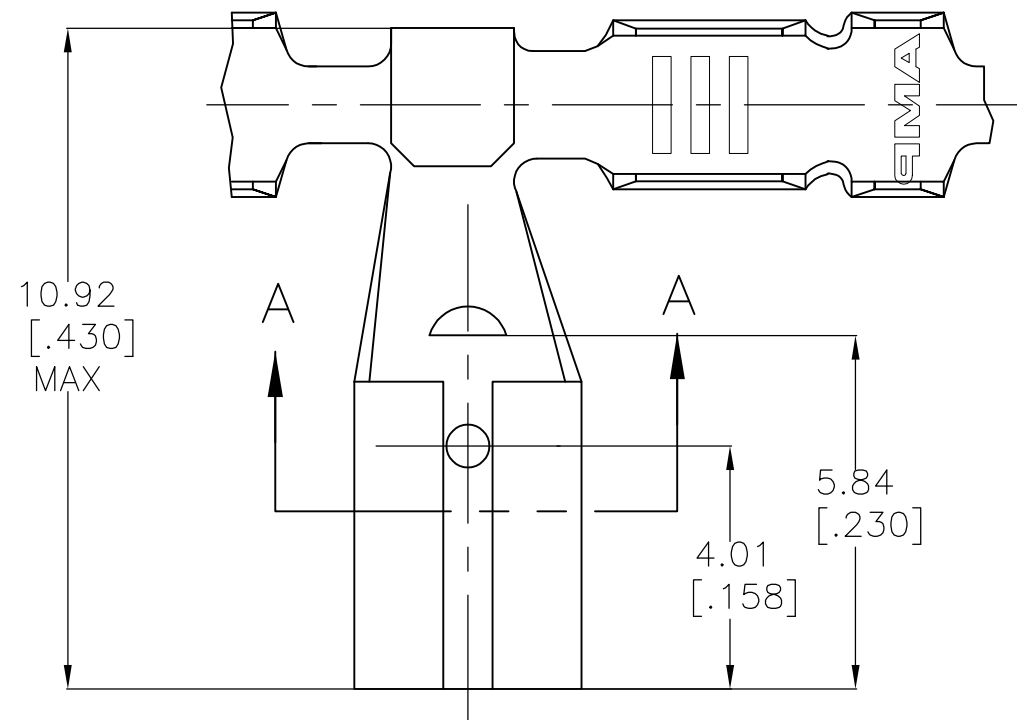


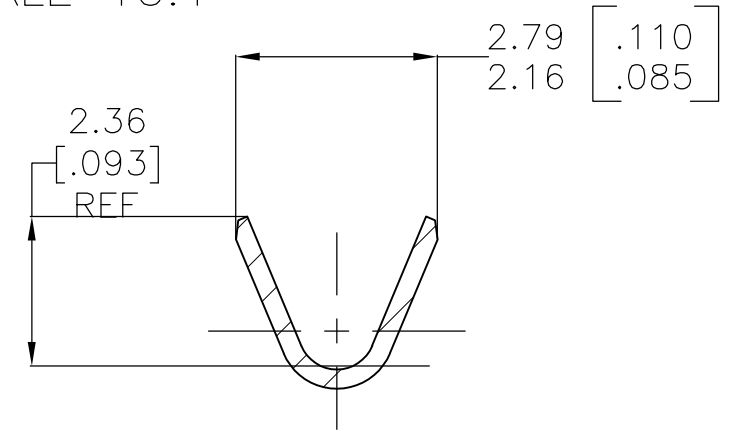
THIS DRAWING IS UNPUBLISHED. RELEASED FOR PUBLICATION
 © COPYRIGHT - By - ALL RIGHTS RESERVED.

LOC	DIST	REVISIONS			
P	LTR	DESCRIPTION	DATE	DWN	APVD
AF	50	B	REVISED PER ECR-12-013518	26NOV12	KH PD

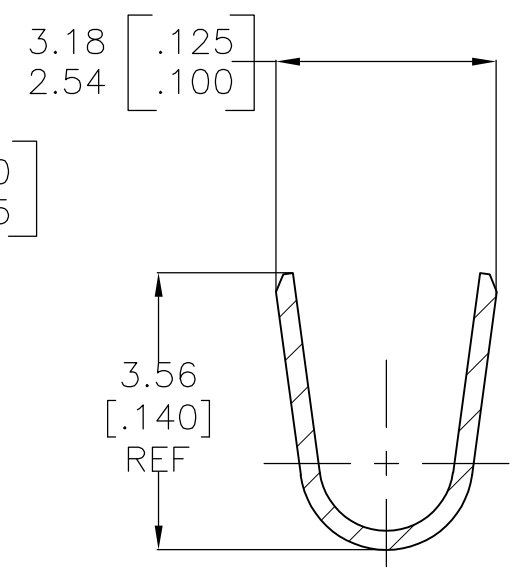
- CONTINUOUS STRIP ON REELS
- WIRE SIZE IS #22-#18 AWG
- INSULATION DIA IS 2.03-2.54 [.080-.100]
- MATING TAB THK IS 0.41±0.025 [.016±.001].



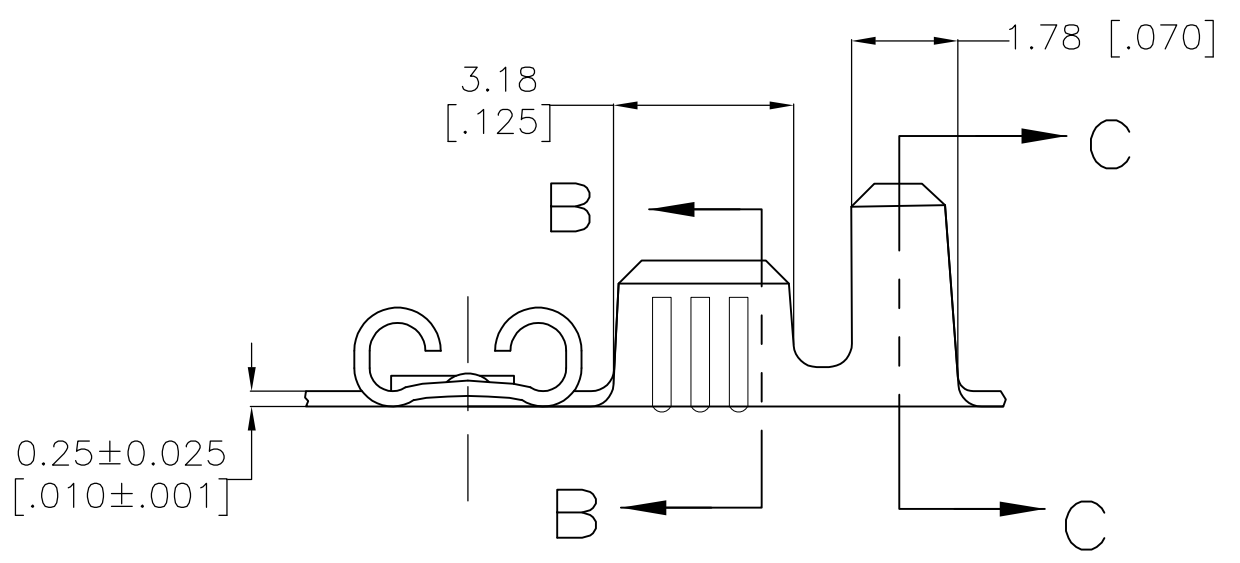
SECTION A-A
SCALE 10:1



SECTION B-B
SCALE 10:1



SECTION C-C
SCALE 10:1



1742613-1
PART NO.

THIS DRAWING IS A CONTROLLED DOCUMENT.		DWN	JR RUTH	21JUN07	TE Connectivity				
DIMENSIONS: mm [INCHES]		CHK	MS FEHER	21JUN07					
TOLERANCES UNLESS OTHERWISE SPECIFIED:		APVD	P DESANTIS	21JUN07	NAME				
0 PLC ± - 1 PLC ± - 2 PLC ± 0.25 [.010] 3 PLC ± - 4 PLC ± - ANGLES ± -		PRODUCT SPEC		RECEPTACLE, FASTON, FLAG, 2.79 [.110] SERIES					
MATERIAL		APPLICATION SPEC		SIZE			CAGE CODE	DRAWING NO	RESTRICTED TO
BRASS		FINISH		WEIGHT			A3	00779	C-1742613
PRE-TIN		CUSTOMER DRAWING			SCALE	8:1	SHEET	1 OF 1	REV
								B	