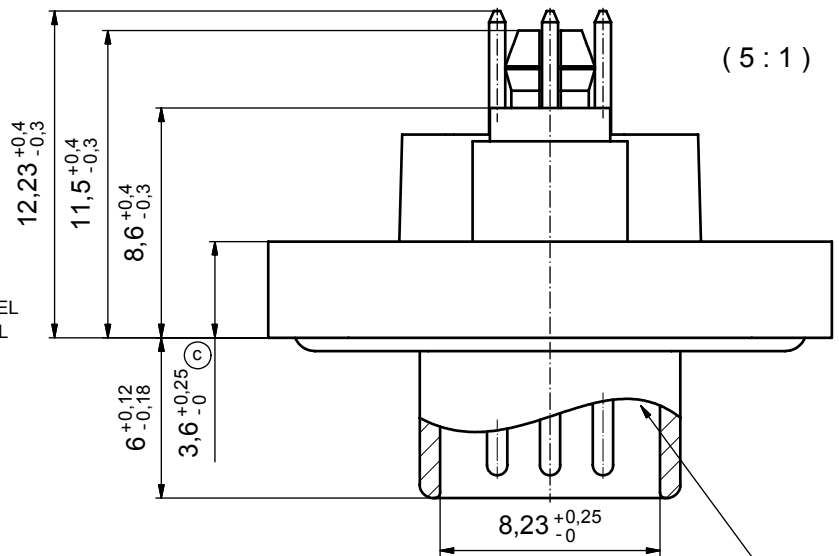


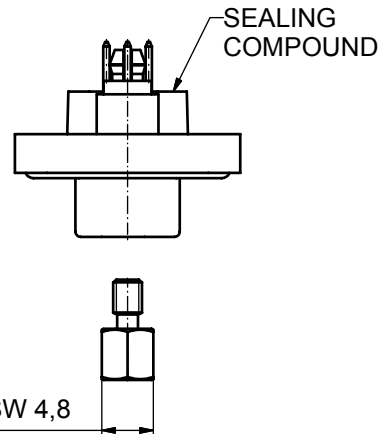
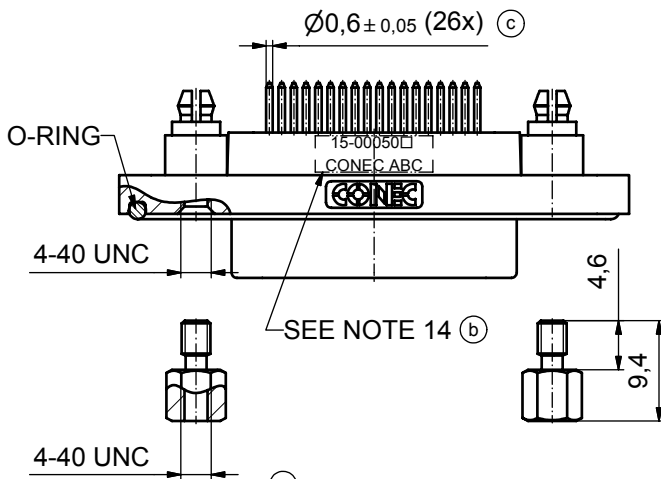
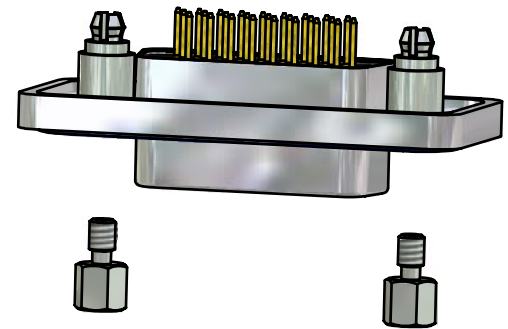
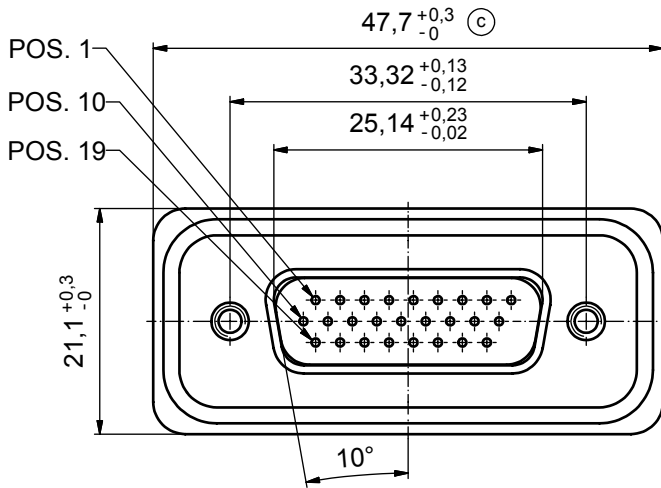
(b) (c)

NOTES:

1. FOR WAVESOLDERING (SOLDER BATH TEMPERATURE 265°C FOR 8 SEC. AND SOLDER PREHEAT 150°C FOR 180 SEC.)
2. IP RATING: IP 67
3. SEALED TO WITHSTAND PRESSURE UP TO 1,45 PSI FOR 30 MINUTES AFTER HIGH TEMPERATURE EXPOSURE
4. METALSHELL: ZINC DIE CAST;  
min. 50µin NICKEL PLATING over COPPER
5. INSULATORS: PBT GF UL 94 V-0, BLACK
6. O-RING: SILICONE PER ASTM D2000 70 SHORE A
7. RUBBER GASKET: TPE
8. SEALING COMPOUND: EPOXY RESIN UL 94 V-0; BLACK
9. CONTACTS: COPPER ALLOY  
PLATING (SEE PART NO):  
□ PLEASE ADD 1 for 30µin HARD GOLD over min. 50µin NICKEL  
□ PLEASE ADD 3 for 8µin HARD GOLD over min. 50µin NICKEL
10. REAR SPACER CLIPS: COPPER ALLOY;  
min. 200µin TIN over 80µin NICKEL  
PCB-HOLE:  $\varnothing 3,1 \pm 0,1$ ; PCB THICKNESS 1,6mm
11. HEXLOCKING SCREWS: STAINLESS STEEL
12. PCB-HOLE DRILLINGS and RECOMMENDED PANEL CUT-OUT ON SHEET 2
13. RECOMMENDED TORQUE FOR MOUNTING SCREW  
35Ncm (3.1 in.LB) / max.67Ncm (6 in.LB)
14. CONNECTOR IS PART MARKED: 15-00050 CONEC ABC



RUBBER GASKET  
PLACED ON TOP SURFACE  
OF MALE INSULATOR



AT ALL TIMES WATER RESISTANT CONNECTORS NOT IN USE SHOULD BE COVERED WITH A CONEC WATER RESISTANT CAP OR WATER TIGHT HOOD.

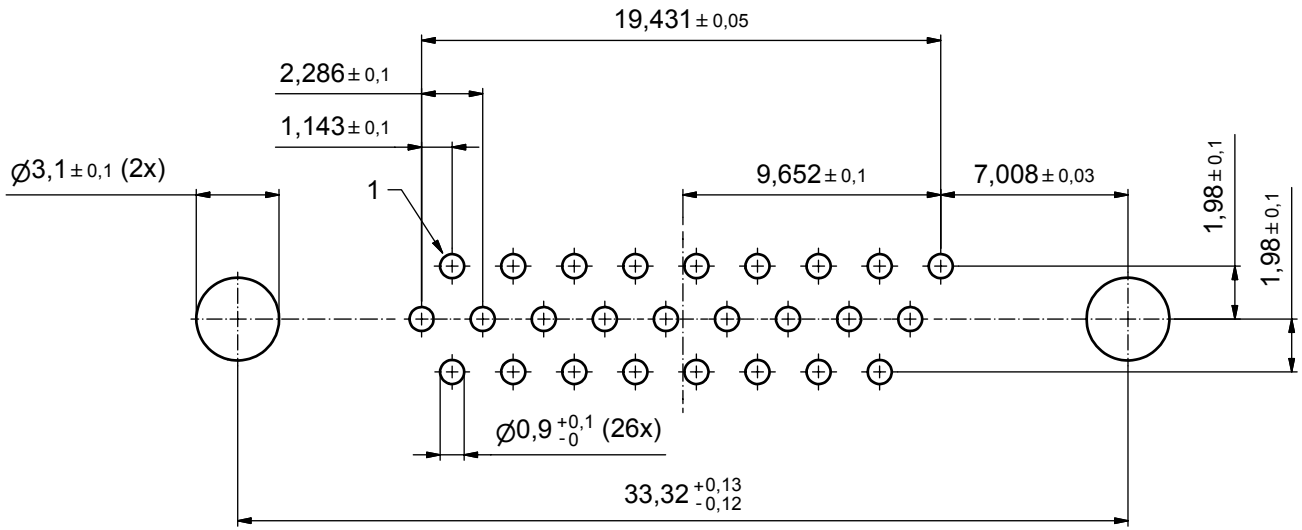
Directive 2002/95/EC  
RoHS  
Compliant

APPROVAL # FREIGABE # DEBLOCAGE # AUTORIZACION # APPROVAL	
CUSTOMER APPROVAL DATE:	
NAME:	TITLE:
COMPANY NAME:	
APPROVAL # FREIGABE # DEBLOCAGE # AUTORIZACION # APPROVAL	

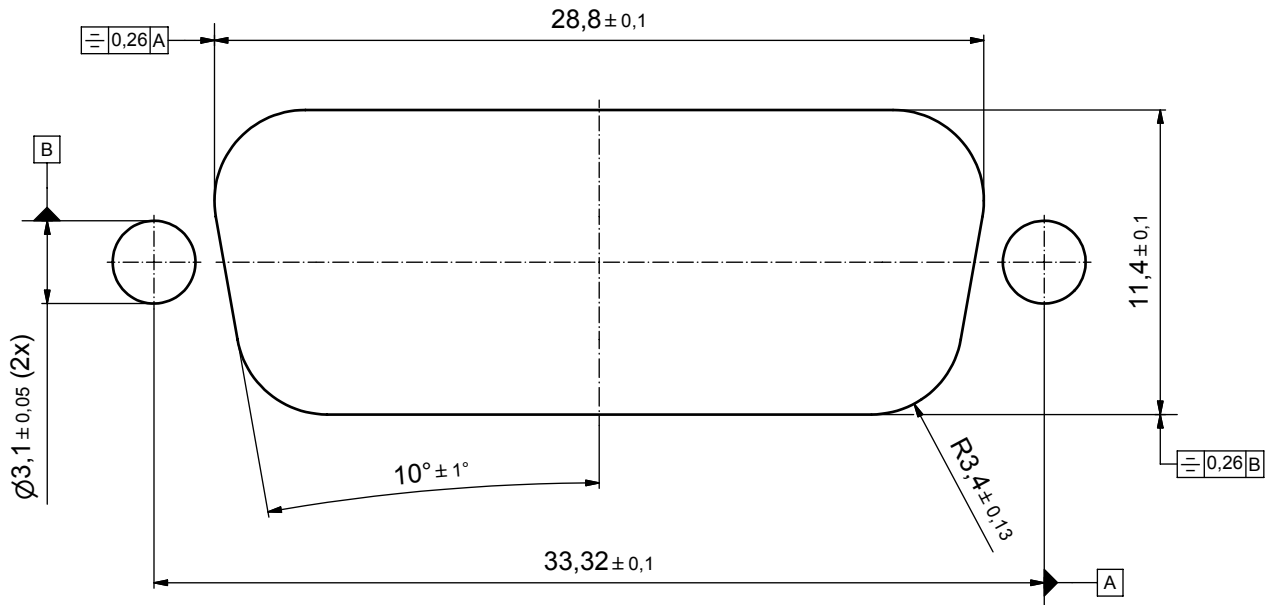
tolerance				dim. in mm	
date				name	
drawn				09.09.08 Schmidt	
appd.				15.09.08 Fischer	
norm					
5 x c	A 3435	23.09.09	HS	d-old	
3 x b	A 3129	26.09.08	HS		
a	Origin				
rev.	description	date	name	<b>CONEC</b>	

scale:	2:1 (5:1)	
material:	see notes	
title:		
D-SUB MALE HD 26pos. SOLDER PIN STRAIGHT with rear spacer clip and hexlocking screw		
dwg no:	Inventor 10	DIN-A3
15K1A265		sh: 1
part no:	15-00050 (see note 9) (b)	

# P.C.B. HOLE DRILLINGS



# RECOMMENDED PANEL CUT-OUT (b)



APPROVAL # FREIGABE # DEBLOCAGE # AUTORIZACION # APPROVAL	
CUSTOMER APPROVAL DATE:	
NAME:	TITLE:
COMPANY NAME:	
APPROVAL # FREIGABE # DEBLOCAGE # AUTORIZACION # APPROVAL	

THIS DRAWING MAY NOT BE COPIED OR REPRODUCED IN ANY WAY, AND MAY NOT BE PASSED ON TO A THIRD PARTY WITHOUT WRITTEN PERMISSION. OWNERSHIP AND COPYRIGHT OF CONEC GmbH				tolerance		dim. in mm	
DO NOT ALTER CAD DRAWING BY HAND				date	name		
1 x b	A 3129	26.09.08	HS	drawn	09.09.08	Schmidt	
a	Origin			appd.	15.09.08	Fischer	
rev.	description	date	name	norm			
				d-old			
<b>CONEC</b>				scale: 5:1			
				material: see sheet 1			

title:		DIN-A3	
P.C.B. HOLE DRILLINGS		sh: 2	
PANEL CUT-OUT			
D-SUB Male 26pos HD Solder pin straight			
dwg no:	Inventor 10		
	15K1A265		
part no:	see sheet 1		