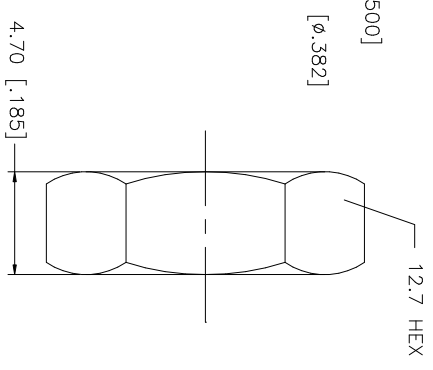
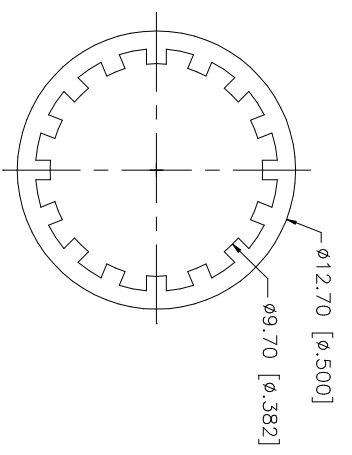
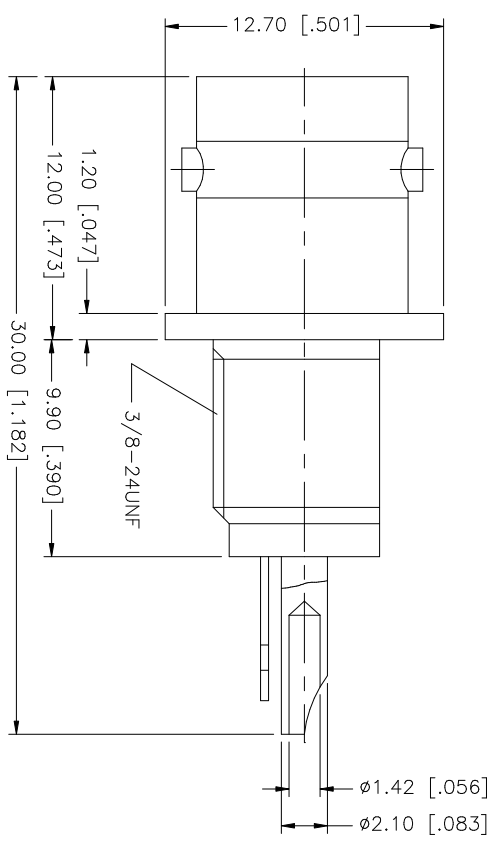
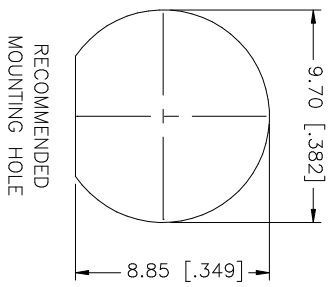


| REV. | DATE | DESCRIPTION |
|------|----------|-----------------------|
| A | 11/19/03 | UPDATE DRAWING FORMAT |



NOTE:

1. MAX. PANEL THICKNESS = 3.2mm
2. RECOMMENDED TORQUE: A MAXIMUM 12 INCH-LBS MAY BE APPLIED ON HEX NUT WHEN MOUNTING CONNECTOR IN PANEL

| UNLESS OTHERWISE SPECIFIED DIMENSIONS ARE IN MILLIMETERS DIMENSIONS IN INCHES ARE FOR CUSTOMER REFERENCE ONLY. | UNLESS OTHERWISE SPECIFIED DIMENSIONS ARE IN MILLIMETERS DIMENSIONS IN INCHES ARE FOR CUSTOMER REFERENCE ONLY. | UNLESS OTHERWISE SPECIFIED DIMENSIONS ARE IN MILLIMETERS DIMENSIONS IN INCHES ARE FOR CUSTOMER REFERENCE ONLY. | UNLESS OTHERWISE SPECIFIED DIMENSIONS ARE IN MILLIMETERS DIMENSIONS IN INCHES ARE FOR CUSTOMER REFERENCE ONLY. | UNLESS OTHERWISE SPECIFIED DIMENSIONS ARE IN MILLIMETERS DIMENSIONS IN INCHES ARE FOR CUSTOMER REFERENCE ONLY. | UNLESS OTHERWISE SPECIFIED DIMENSIONS ARE IN MILLIMETERS DIMENSIONS IN INCHES ARE FOR CUSTOMER REFERENCE ONLY. | UNLESS OTHERWISE SPECIFIED DIMENSIONS ARE IN MILLIMETERS DIMENSIONS IN INCHES ARE FOR CUSTOMER REFERENCE ONLY. | UNLESS OTHERWISE SPECIFIED DIMENSIONS ARE IN MILLIMETERS DIMENSIONS IN INCHES ARE FOR CUSTOMER REFERENCE ONLY. | UNLESS OTHERWISE SPECIFIED DIMENSIONS ARE IN MILLIMETERS DIMENSIONS IN INCHES ARE FOR CUSTOMER REFERENCE ONLY. | UNLESS OTHERWISE SPECIFIED DIMENSIONS ARE IN MILLIMETERS DIMENSIONS IN INCHES ARE FOR CUSTOMER REFERENCE ONLY. | UNLESS OTHERWISE SPECIFIED DIMENSIONS ARE IN MILLIMETERS DIMENSIONS IN INCHES ARE FOR CUSTOMER REFERENCE ONLY. |
|--|--|--|--|--|--|--|--|--|--|--|
| 8 | | | | | | | | | | |
| 7 | | | | | | | | | | |
| 6 | | | | | | | | | | |
| 5 | LOCK WASHER | BRASS | NICKEL | 1 | 0.3 - 8mm ± 0.20mm | | | | | |
| 4 | HEX NUT | BRASS | NICKEL | 1 | 8 - 30mm ± 0.40mm | | | | | |
| 3 | CONTACT PIN | PHOS. BRONZE | GOLD | 1 | 30 - 120mm ± 0.50mm | | | | | |
| 2 | INSULATOR | TEFLON | NATURAL | 1 | 0.20 - .315 = ± 0.007" | | | | | |
| 1 | BODY | BRASS | NICKEL | 1 | .315 - 1.180 = ± 0.015" | | | | | |
| | | | | | 1.180 - 4.724 = ± 0.020" | | | | | |
| | DESCRIPTION | MATERIAL | FINISH | QTY | DO NOT SCALE DRAWING | | | | | |
| | | APPROVALS | | DATE | | | | | | |
| | | DRAWN G.R.S. | | 11/19/03 | | | | | | |
| | | CHECKED | | | | | | | | |
| | | ISSUED | | | | | | | | |
| | | SHEET 1 OF 1 | | | | | | | | |
| | | PART NO. | | | 112432 | | | | | |
| | | PART DESCRIPTION | | | BNC BULKHEAD RECEPTACLE ISOLATED JACK - 75ohm | | | | | |
| | | DWG. NO. | | | 112432.DWG | | | | | |
| | | REV. | | | A | | | | | |
| | | SIZE | | | A | | | | | |
| | | SCALE | | | NA | | | | | |

Amphenol Connex