

THIS DRAWING IS UNPUBLISHED.

RELEASED FOR PUBLICATION

20

© COPYRIGHT 20 BY -

ALL RIGHTS RESERVED.

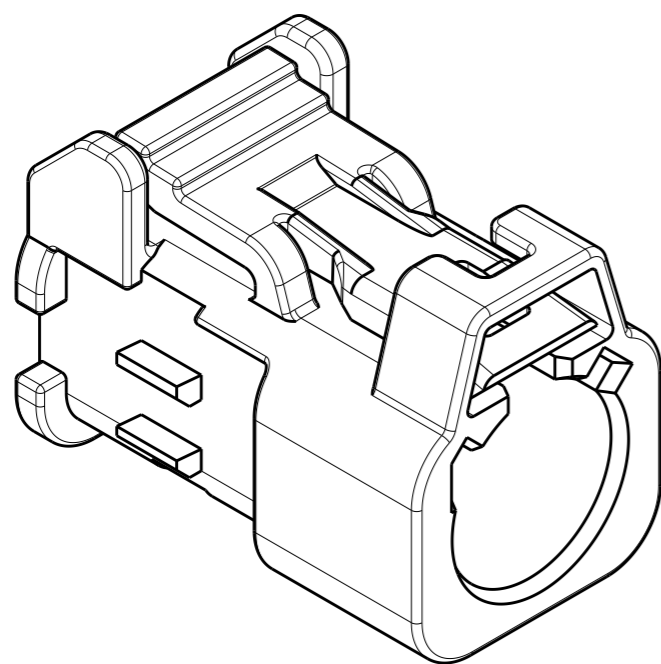
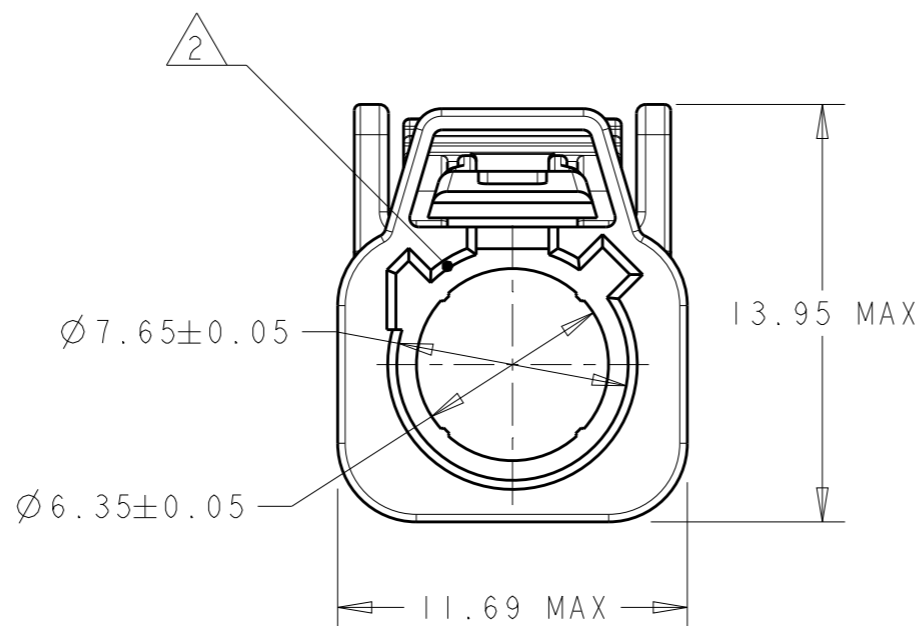
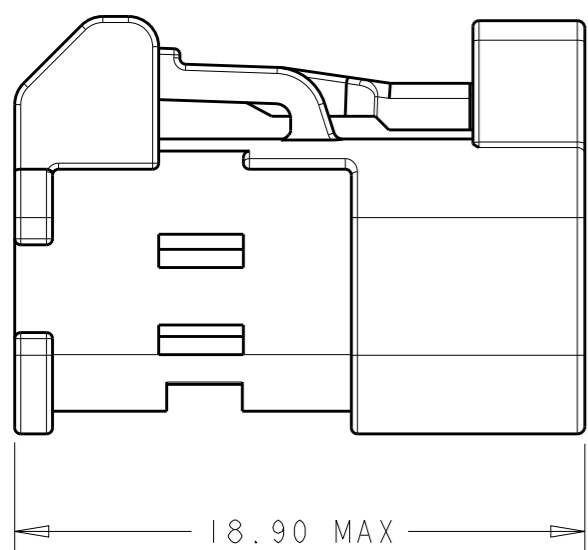
REVISIONS

P	LTR	DESCRIPTION	DATE	DWN	APVD
D1		REVISED PER ECO-15-015026	19OCT2015	DD	LV
D2		REVISED PER ECO-16-005357	06APR2016	DD	LV
D3		ECO-20-011767	02SEP2020	KP	MB

1 POLYESTER PBT, COLOR: SEE TABLE.

2 PLUG HOUSING ACCEPTS JACK HOUSINGS MEETING DIN 72594-1, ROAD VEHICLES - RADIO FREQUENCY INTERFACE - DIMENSIONS AND ELECTRICAL REQUIREMENTS.

3. SEE INSTRUCTION SHEET 408-10028.



ISOMETRIC VIEW

PER DETAIL M	M	PASTEL ORANGE	1-1438893-2
PER DETAIL K	K	CURRY	1-1438893-0
PER DETAIL I	I	BEIGE	1438893-9
PER DETAIL H	H	HEATHER VIOLET	1438893-8
PER DETAIL G	G	BLUE GRAY	1438893-7
PER DETAIL F	F	NUT BROWN	1438893-6
PER DETAIL E	E	LEAF GREEN	1438893-5
PER DETAIL D	D	CLARET VIOLET	1438893-4
PER DETAIL C	C	SIGNAL BLUE	1438893-3
PER DETAIL B	B	SIGNAL WHITE	1438893-2
PER DETAIL A	A	JET BLACK	1438893-1
KEYING	CODING REF	HOUSING COLOR	PART NUMBER

THIS DRAWING IS A CONTROLLED DOCUMENT.

DWN 04JAN2006
D. J. HARDY
CHK 05JAN2006
J. W. HALL
APVD 05JAN2006
J. W. HALL



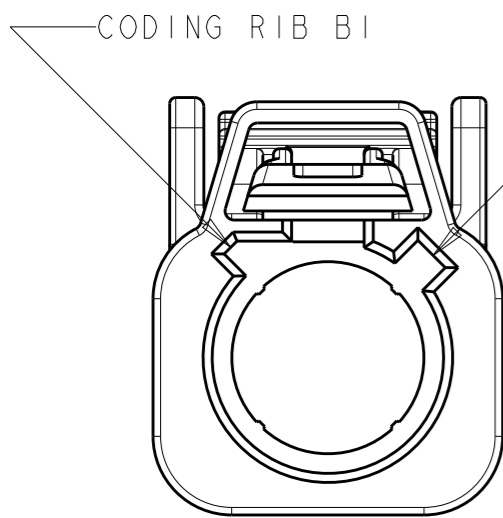
DIMENSIONS:	TOLERANCES UNLESS OTHERWISE SPECIFIED:
mm	
	0 PLC ±-
	1 PLC ±-
	2 PLC ±-
	3 PLC ±-
	4 PLC ±-
	ANGLES ±-
MATERIAL	FINISH
-	-
	-

PRODUCT SPEC -
APPLICATION SPEC 114-13157
WEIGHT -
CUSTOMER DRAWING

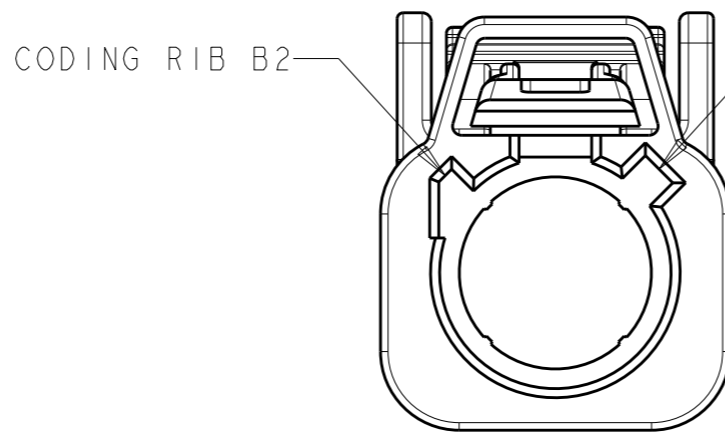
NAME				RESTRICTED TO	
PLUG HOUSING, 1 POSITION, FAKRA, SMB					
SIZE	CAGE CODE	DRAWING NO			
A3	00779	1438893			
SCALE 4:1			SHEET 1 OF 3	REV D3	

REVISIONS

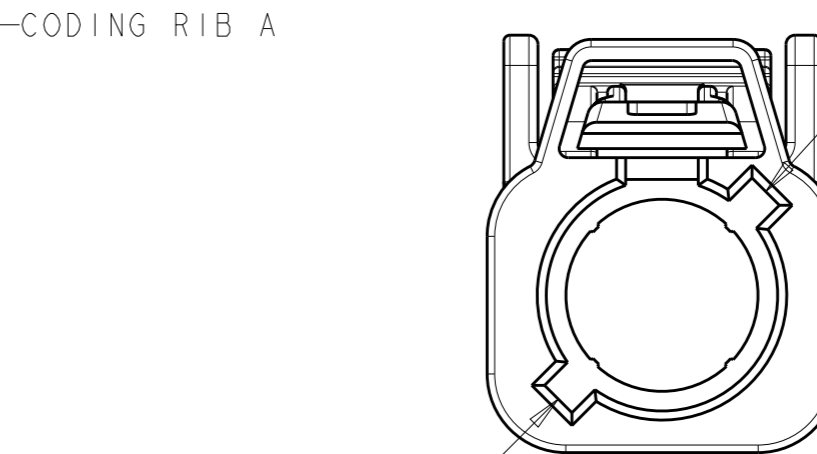
P	LTR	DESCRIPTION	DATE	DWN	APVD
-	-	SEE SHEET 1	-	-	-



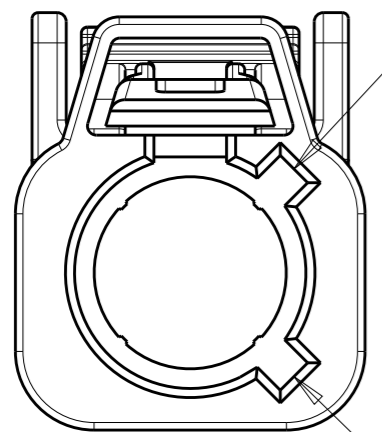
DETAIL A



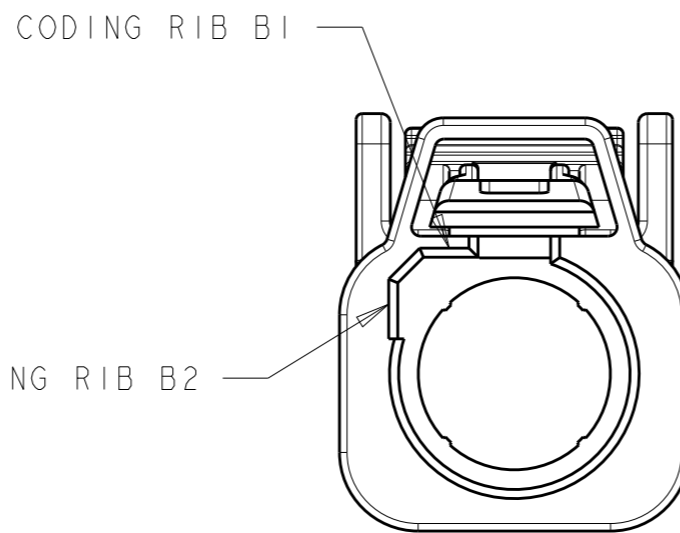
DETAIL B



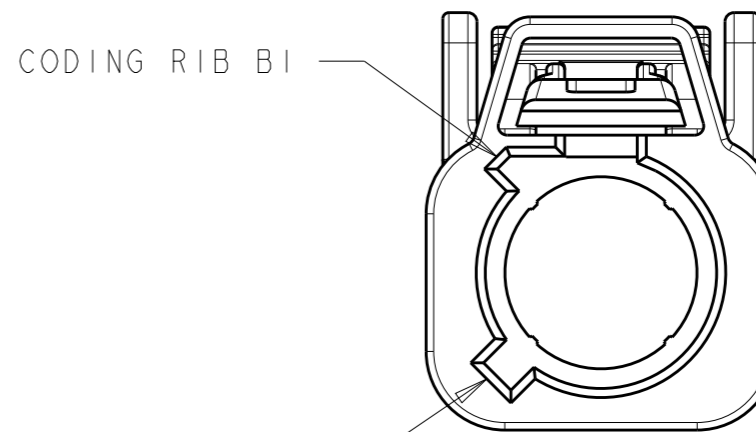
DETAIL C



DETAIL D



DETAIL E



DETAIL F

THIS DRAWING IS A CONTROLLED DOCUMENT.

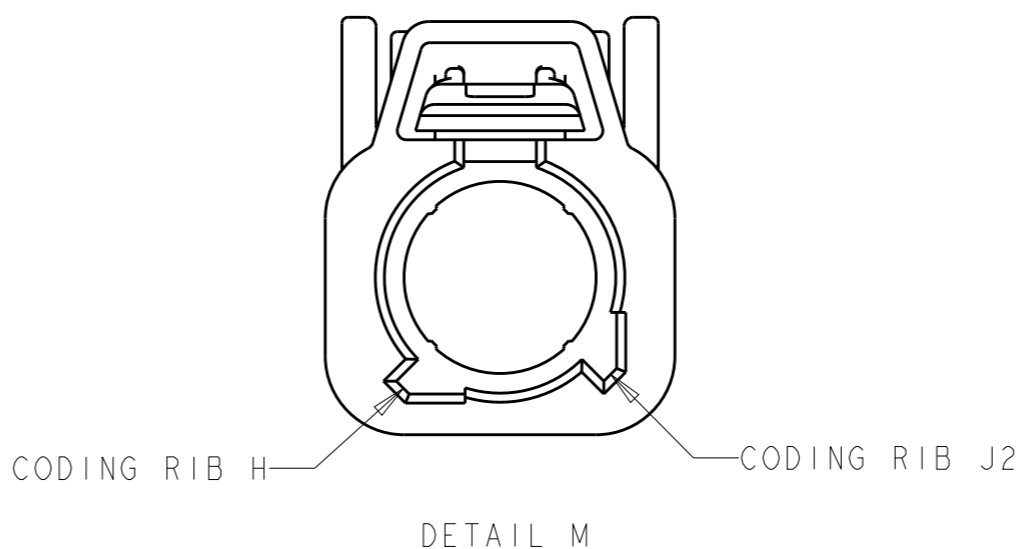
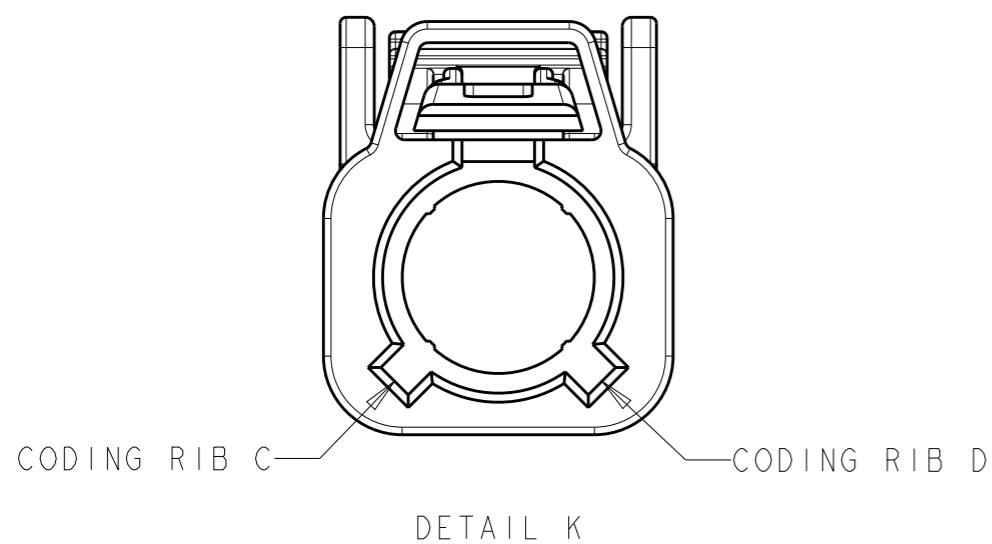
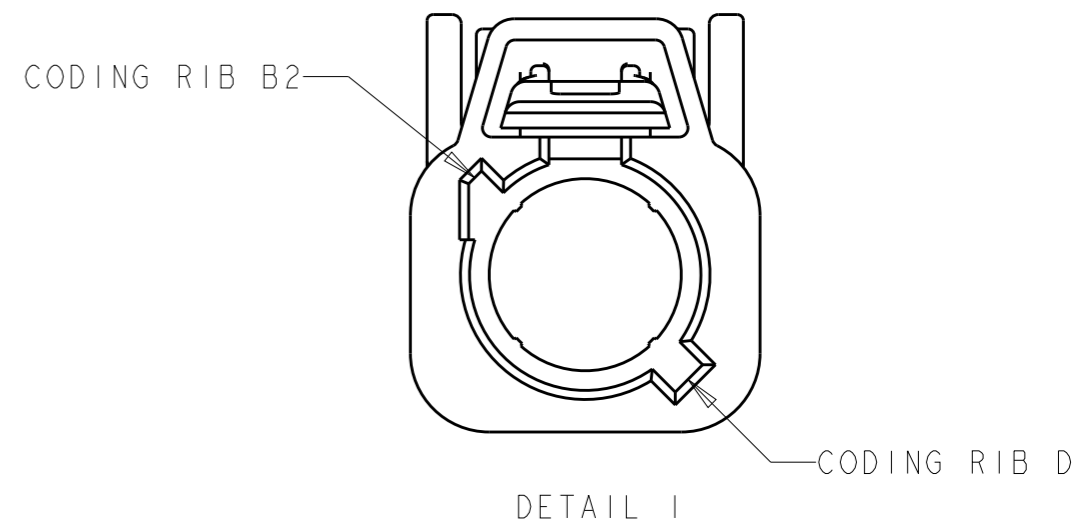
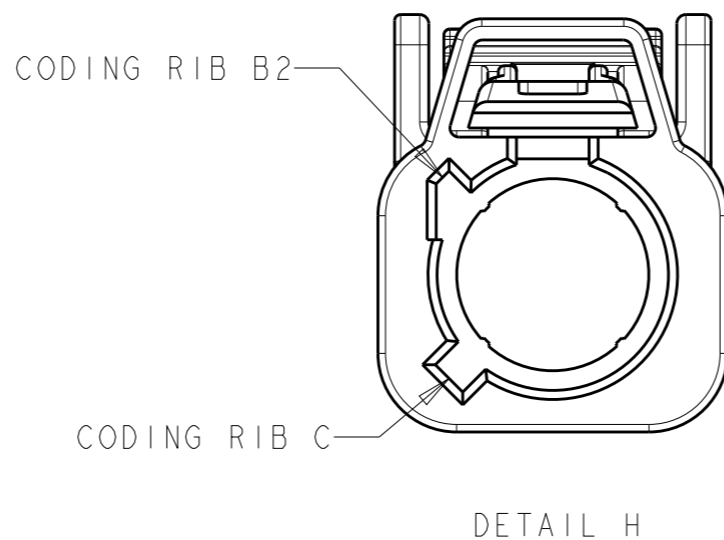
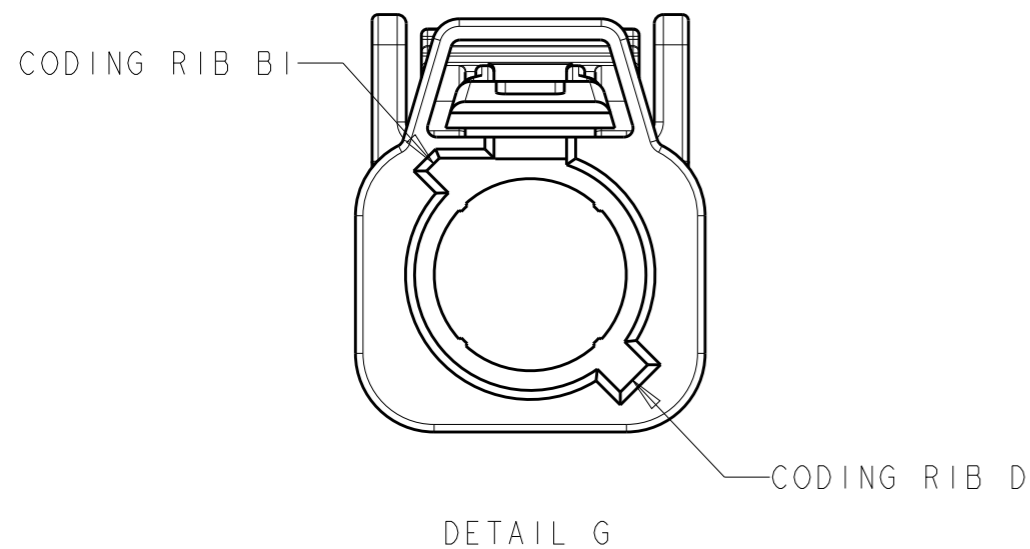
DIMENSIONS:	TOLERANCES UNLESS OTHERWISE SPECIFIED:
mm	0 PLC ±-
	1 PLC ±-
	2 PLC ±-
	3 PLC ±-
	4 PLC ±-
	ANGLES ±-
MATERIAL	FINISH
-	-
-	-

DWN	04JAN2006
D. J. HARDY	
CHK	05JAN2006
J. W. HALL	
APVD	05JAN2006
J. W. HALL	
PRODUCT SPEC	-
APPLICATION SPEC	114-13157
WEIGHT	-
CUSTOMER DRAWING	

TE Connectivity		NAME	
		PLUG HOUSING, 1 POSITION, FAKRA, SMB	
SIZE	CAGE CODE	DRAWING NO	RESTRICTED TO
A3	00779	C-1438893	-
SCALE		SHEET	REV
4:1		2 OF 3	D3

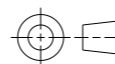
REVISIONS

P	LTR	DESCRIPTION	DATE	DWN	APVD
	-	SEE SHEET 1	-	-	-



THIS DRAWING IS A CONTROLLED DOCUMENT.

DIMENSIONS:
mm



TOLERANCES UNLESS OTHERWISE SPECIFIED:

- 0 PLC ±-
- 1 PLC ±-
- 2 PLC ±-
- 3 PLC ±-
- 4 PLC ±-
- ANGLES ±-

MATERIAL

-

FINISH

-

DWN 04JAN2006
D. J. HARDY

CHK 05JAN2006
J. W. HALL

APVD 05JAN2006
J. W. HALL

PRODUCT SPEC

APPLICATION SPEC
114-13157

WEIGHT

-

CUSTOMER DRAWING



NAME
PLUG HOUSING,
1 POSITION, FAKRA, SMB

SIZE	CAGE CODE	DRAWING NO	RESTRICTED TO
------	-----------	------------	---------------

A3	00779	C-1438893	-
----	-------	-----------	---

SCALE	SHEET	OF	REV
4:1	3	3	D3