



700-970 MHz / 1600-2700 MHz Diplexer



ANATECH ELECTRONICS INC
RF & Microwave Filters & Products

Part Number: AE970-1600D5430

Electrical Specifications

Low Band BW: 700-970 MHz
Insertion Loss @ Low Band BW: 0.4 dB Max
Ripple in BW: 1.0 dB Max
High Band BW: 1600-2700 MHz
Insertion Loss @ High Band BW: 0.4 dB Max
Ripple in BW: 1.0 dB Max
Return Loss over Low/High Passbands: 15 dB Min
Isolation between Low/High bands: 60 dB Min
Power Handling: 500 W

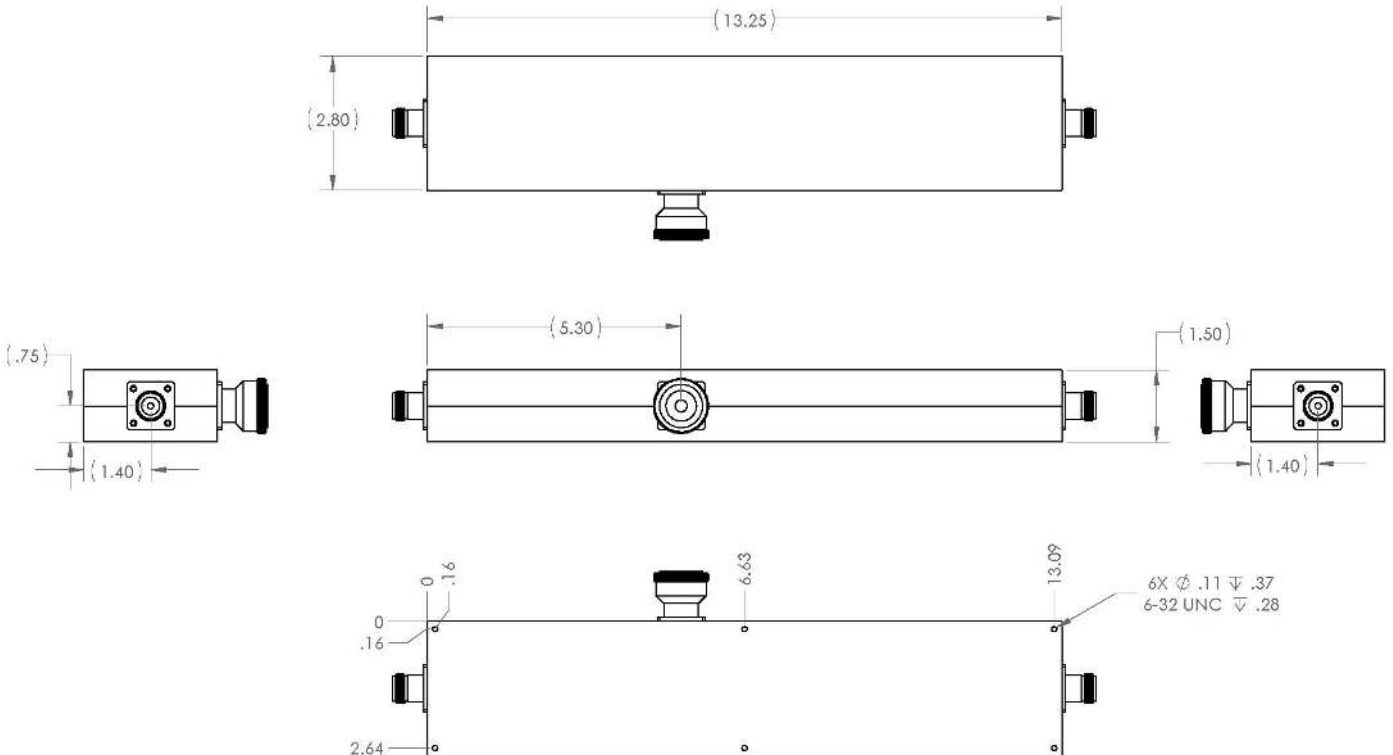
Mechanical

Mounting Method: Through Holes
Connector Type: N-type(F) & 7/16 DIN
Dimensions: 13.25 x 2.8 x 1.5 inches

Environmental

Operating Temperature: -40 to +70° C
Storage Temperature: -50 to +90° C
Shock: 20 G. 11ms
Vibration: 20 G. 5 to 200Hz

Outline Drawing:



Tolerance: +/-0.01 inches [+/-0.3mm] Angles: +/-1 Deg.

*Tolerance as shown unless otherwise specified in the datasheet electrical specification tables above.

*When max dimensions are called out the above tolerances do not apply as long as it is under the max call out.



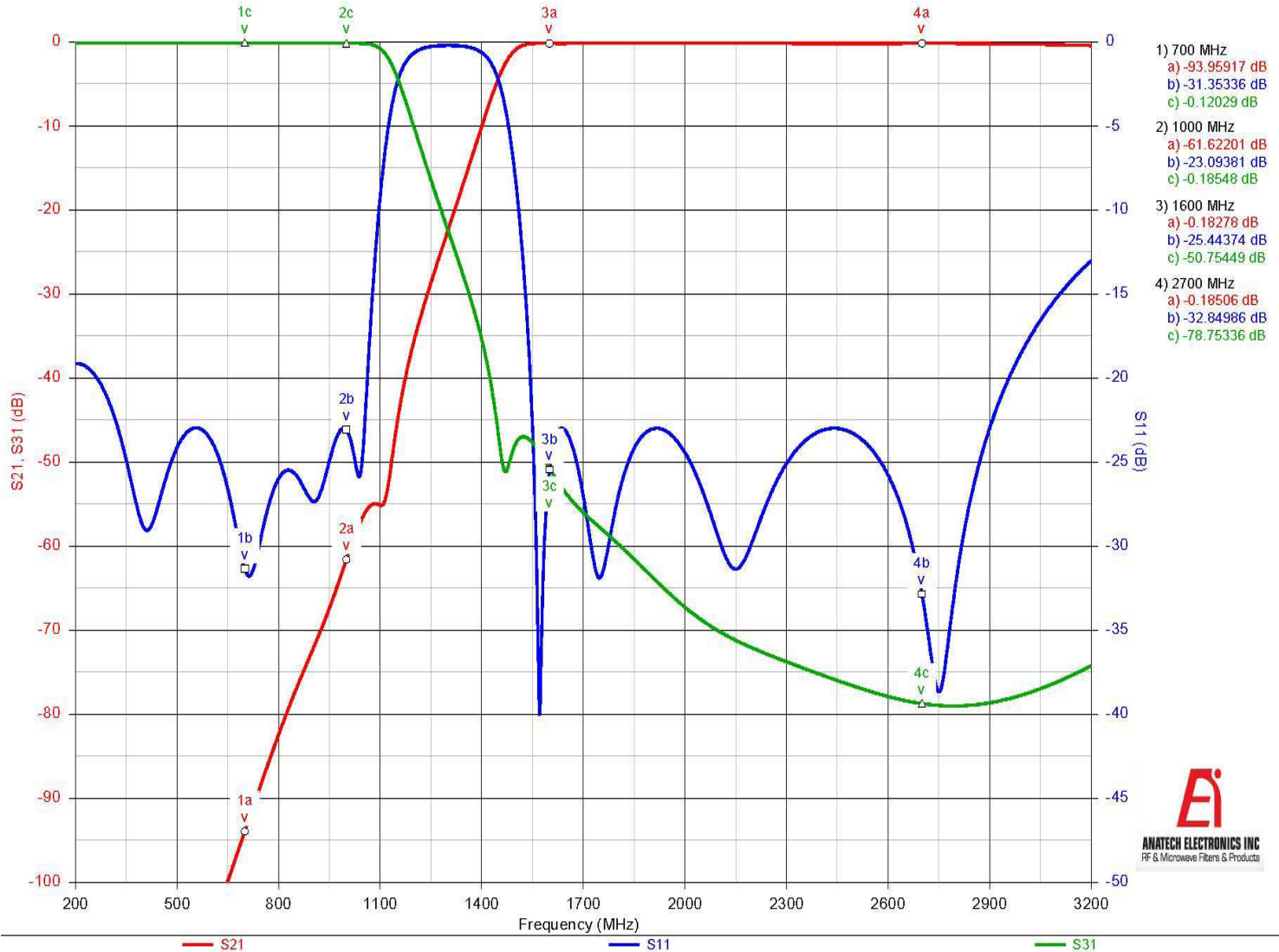
700-970 MHz / 1600-2700 MHz Diplexer

Part Number: AE970-1600D5430



ANATECH ELECTRONICS INC
RF & Microwave Filters & Products

Simulated Response Plot:



- 1) 700 MHz
 - a) -93.95917 dB
 - b) -31.35336 dB
 - c) -0.12029 dB
- 2) 1000 MHz
 - a) -61.62201 dB
 - b) -23.09381 dB
 - c) -0.18548 dB
- 3) 1600 MHz
 - a) -0.18278 dB
 - b) -25.44374 dB
 - c) -50.75449 dB
- 4) 2700 MHz
 - a) -0.18506 dB
 - b) -32.84986 dB
 - c) -78.75336 dB



Note: This is a simulated response plot. Actual performance might differ.