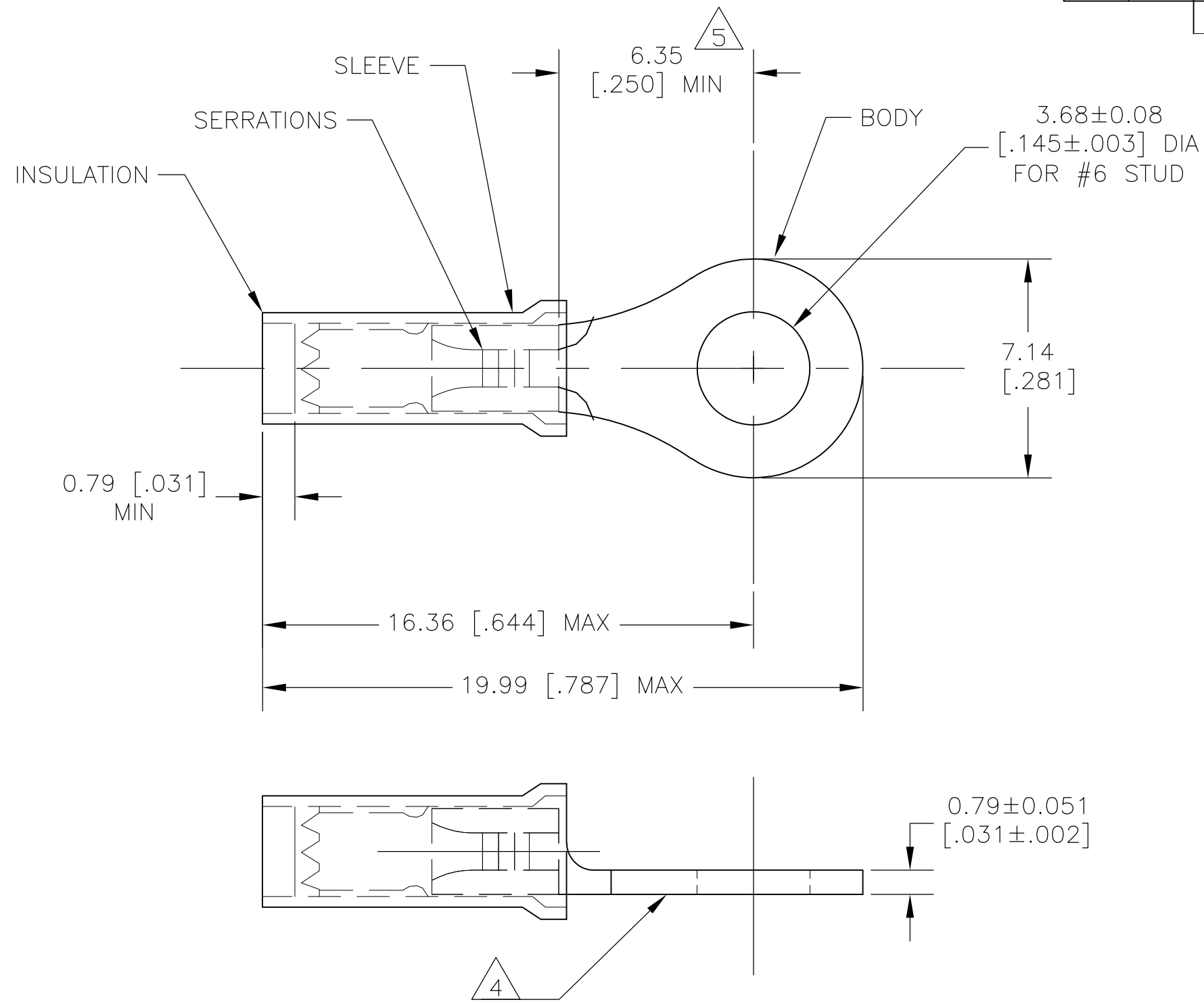


THIS DRAWING IS UNPUBLISHED. RELEASED FOR PUBLICATION
 © COPYRIGHT BY TYCO ELECTRONICS CORPORATION. ALL RIGHTS RESERVED.

| LOC | DIST | REVISIONS | | | | | |
|-----|------|-----------|-----|---------------------------|---------|-----|------|
| G | 86 | P | LTR | DESCRIPTION | DATE | DWN | APVD |
| | | E1 | | REVISED PER ECR 07-018343 | 06AUG07 | JR | TM |



- $\triangle 1$ BODY - COPPER PER ASTM B152 ANNEALED
SLEEVE - COPPER PER ASTM B152
INSULATION - NYLON
- $\triangle 2$ BODY & SLEEVE - TIN PLATED
INSULATION - COLOR - PURPLE
- 3 FOR 1.14-2.03 [.045-.080] DIA WIRE INSULATION
- $\triangle 4$ STAMP AMP 20, APPROX WHERE SHOWN.
- $\triangle 5$ APPLIES FROM EDGE OF METAL WIRE BARREL TO CENTERLINE OF STUD HOLE.
- 6 0.41-0.65mm² [810-1,290] CMA SOLID OR STRANDED

| | | |
|------|----------------|----------|
| 1000 | LOOSE PIECE | 152895 |
| QTY | PACKAGING TYPE | PART NO. |

| | | | | |
|--|---------------------------|---------------------------------|---|--------------------|
| THIS DRAWING IS A CONTROLLED DOCUMENT. | | DWN jr_ruth 06AUG07 | Tyco Electronics Corporation Harrisburg, PA 17105-3608 | |
| DIMENSIONS: MM [INCHES] | | CHK T MICHELUTTI 30AUG07 | NAME RING TONGUE, PIDG | |
| TOLERANCES UNLESS OTHERWISE SPECIFIED: | | APVD T MICHELUTTI 30AUG07 | PRODUCT SPEC - | |
| 0 PLC \pm - 1 PLC \pm - 2 PLC \pm - 3 PLC \pm 0.38 [.015] 4 PLC \pm - ANGLES \pm 5° | | APPLICATION SPEC - | SIZE A3 | CAGE CODE 00779 |
| MATERIAL - $\triangle 1$ | FINISH - $\triangle 2$ | WEIGHT - | DRAWING NO C-152895 | RESTRICTED TO - |
| CUSTOMER DRAWING | | | SCALE 6:1 | SHEET 1 OF 1 |
| | | | REV E1 | |