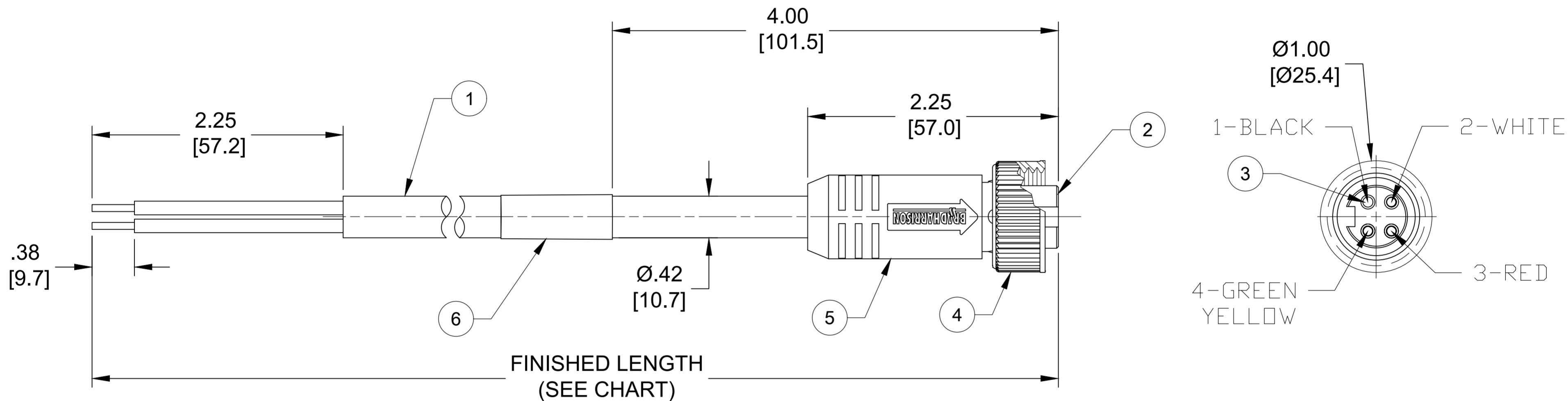


PART NO.	ENGINEERING NO.	FINISHED LENGTH
1300060725	104000A01F030	3.0FT [9.1M]
1300060728	104000A01F060	6.0FT [1.8M]
1300060744	104000A01F200	20.0FT [6.1M]
1300060784	104000A01M100	10M [32FT 10IN]

REF. THIS DRAWING SUPERSEDES SD-130006-010 REV-B (A)

PART NUMBER LEGEND

104000A01F030
 POLE COUNT → FINISHED LENGTH:
 F010= 1.0 FEET
 F100= 10.0 FEET
 M005= 0.5 METER
 M010= 1.0 METER
 M100= 10. METER



- NOTES:**
1. MATERIAL: AS NOTED
 2. FINISH: AS NOTED
 3. ELECTRICAL:
 VOLTAGE: 483V PER IEC60664
 600V PER UL2238
 CURRENT: 10A
 4. TEMP RATING: -20°TO +80°C
 5. PROTECTION: IP67 (WHEN MATED)
 6. COUPLING THREAD: 7/8-16UN
 7. UL RECOGNIZED FILE: E152210
 CSA CERTIFIED FILE: LR6837
 8. ALL DIMS ARE FOR REFERENCE UNLESS TOLERANCED OR NOTED OTHERWISE

CABLE LENGTH TOLERANCES

>.3M [1FT]:	+19mm-0 [+ .75in-0]
.3 - .9M [1 - 3FT]:	+44.5mm-0 [+1.75in-0]
.9 - 1.8M [3 - 6FT]:	+55.6mm-0 [+2.19in-0]
1.8 - 3.7M [6 - 12FT]:	+88.9mm-0 [+3.50in-0]
3.7 - 7.3M [12 - 24FT]:	+165.1mm-0 [+6.50in-0]
7.3-14.6M [24 - 48FT]:	+317.5mm-0 [+12.50in-0]
14.6 - 30.5M [48-100FT]:	+622.3mm-0 [+24.50in-0]
OVER 30M [100FT]	+2% OF FINISHED LENGTH

ITEM	DESCRIPTION	MATERIAL	FINISH
6	WRAP LABEL	VINYL	BLACK/YELLOW
5	OVERMOLD	TPE	YELLOW
4	COUPLING NUT, INT. THD	ZINC DIE-CAST	NICKEL PLATED
3	CONTACT SOCKET	COPPER ALLOY	GOLD PLATED
2	FEMALE INSERT	TPE	YELLOW
1	CABLE, 16/4, ST00W	PVC JACKET	YELLOW

SYMBOLS				THIS DRAWING CONTAINS INFORMATION THAT IS PROPRIETARY TO MOLEX ELECTRONIC TECHNOLOGIES, LLC AND SHOULD NOT BE USED WITHOUT WRITTEN PERMISSION			
▽ = 0	INCH/MM	SCALE	1:1	CURRENT REV DESC: REDRAWN, WAS SD-130006-010			
▽ = 0	GENERAL TOLERANCES (UNLESS SPECIFIED)			EC NO: 624117			
▽ = 0	mm	INCH		DRWN: RSTONE 2019/09/11			
▽ = 0	4 PLACES	±----	±----	CHK'D: MZIELINSKI 2019/09/19			
▽ = 0	3 PLACES	±----	±----	APPR: BWOODMAN 2019/10/03			
▽ = 0	2 PLACES	±----	±----	INITIAL REVISION:			
▽ = 0	1 PLACE	±----	±----	DRWN: RSTONE 2019/09/11			
▽ = 0	0 PLACES	±----	±----	APPR: BWOODMAN 2019/10/03			
▽ = 0	ANGULAR TOL ± ---- °			THIRD ANGLE PROJECTION			
▽ = 0	DRAFT WHERE APPLICABLE MUST REMAIN WITHIN DIMENSIONS			DRAWING SERIES			
▽ = 0				C-SIZE 130006			

DOCUMENT NUMBER			DOC TYPE			DOC PART			REVISION		
1300060725			PSD			000			A		

DOCUMENT STATUS		RELEASE DATE		2019/10/03 19:14:54	
P1					