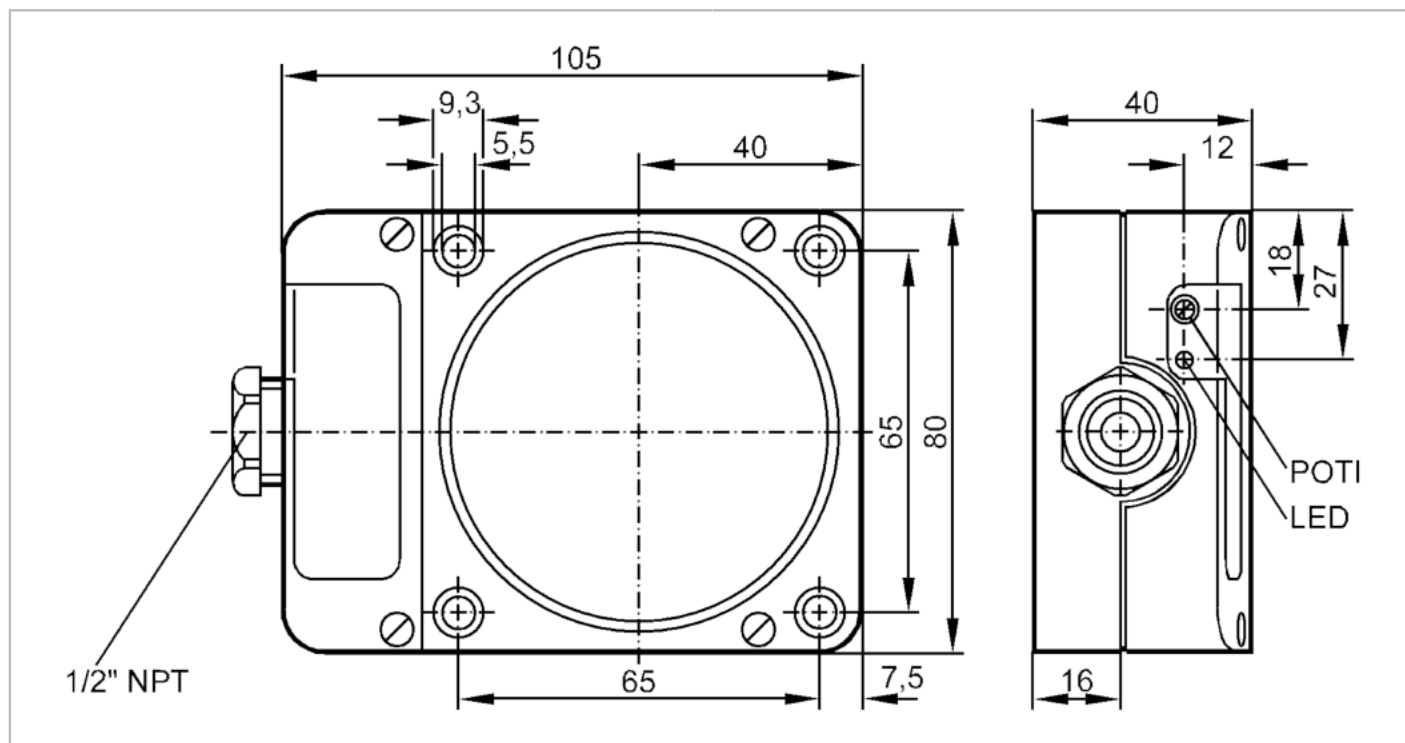


KD0024



Capacitive sensor

KDE2060-FBOA/NI/NPT RT



Product characteristics

Output function		normally open / normally closed; (selectable)
Sensing range	[mm]	60
Housing		rectangular

Electrical data

Operating voltage	[V]	20...250 AC/DC
Protection class		II
Reverse polarity protection		no

KD0024



Capacitive sensor

KDE2060-FBOA/NI/NPT RT

Outputs		
Output function	normally open / normally closed; (selectable)	
Max. voltage drop switching output DC [V]	8	
Max. voltage drop switching output AC [V]	10	
Minimum load current [mA]	5	
Max. leakage current [mA]	2.5 (250 V AC) / 1.7 (110 V AC) / 1.3 (24 V DC)	
Permanent current rating of switching output AC [mA]	200; (for UL application: 250 / 100 DC)	
Permanent current rating of switching output DC [mA]	200; (for UL application: 250 AC / 100 DC)	
Short-time current rating of switching output [mA]	1500; (20 ms / 0,5 Hz)	
Switching frequency AC [Hz]	10	
Switching frequency DC [Hz]	10	
Short-circuit proof	no	
Overload protection	no	
Detection zone		
Sensing range [mm]	60	
Sensing range adjustable	yes	
Factory setting sensing range [mm]	60	
Real sensing range Sr [mm]	60 ± 10 %	
Operating distance [mm]	0...48.6	
Accuracy / deviations		
Correction factor	glass: 0.4 / water: 1 / ceramics: 0.2 / PVC: 0.2	
Hysteresis [% of Sr]	1...15	
Switch point drift [% of Sr]	-15...15	
Operating conditions		
Ambient temperature [°C]	-25...80	
Protection	IP 65	
Tests / approvals		
EMC	EN 60947-5-2	
MTTF [years]	409	
Mechanical data		
Weight [g]	307.5	
Housing	rectangular	
Mounting	non-flush mountable	
Materials	PPE modified	
Displays / operating elements		
Display	switching status	1 x LED, red
Electrical connection		
Required protection	miniature fuse to IEC60127-2 sheet 1; ≤ 2 A; fast acting	

KD0024



Capacitive sensor

KDE2060-FBOA/NI/NPT RT

Accessories

Items supplied	screwdriver: 1
	spring washers: 4
	cylinder screws: 4

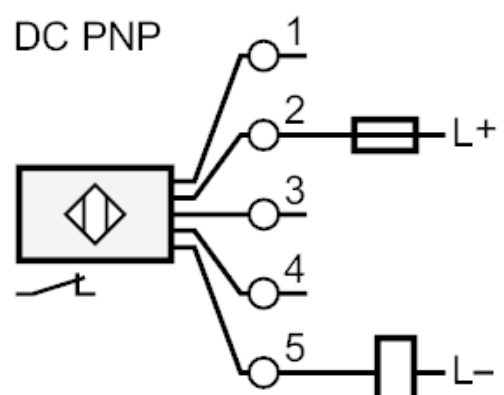
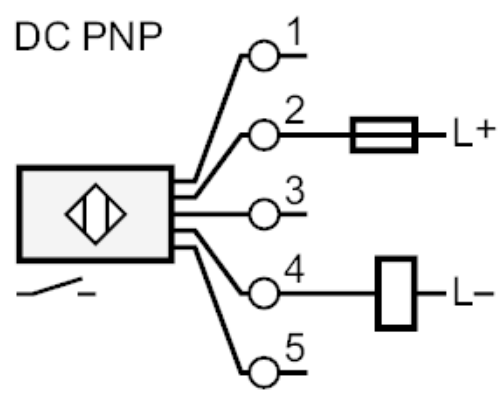
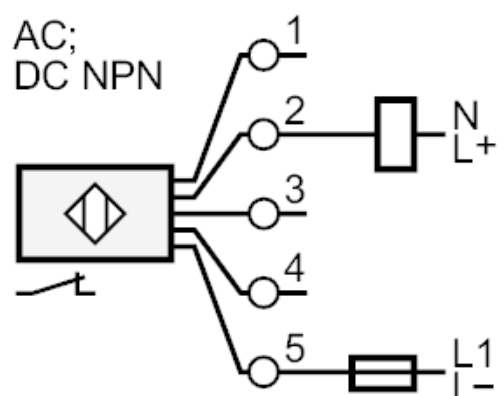
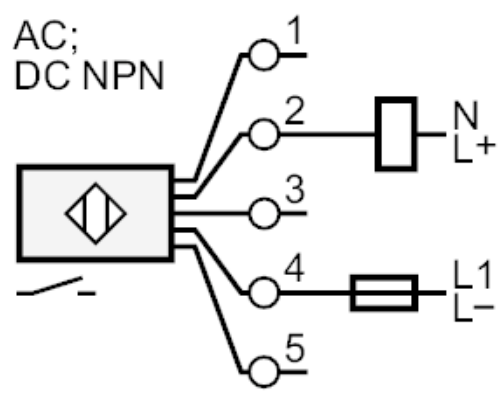
Remarks

Remarks	Recommendation: Check the safe functioning of the unit after a short circuit.
Pack quantity	1 pcs.

Electrical connection

terminals: ...2.5 mm²; Cable sheath: Ø 7...13 mm

Connection



Note miniature fuse to IEC60127-2 sheet 1 ≤ 2 A fast acting