

THIS DRAWING IS UNPUBLISHED.

RELEASED FOR PUBLICATION

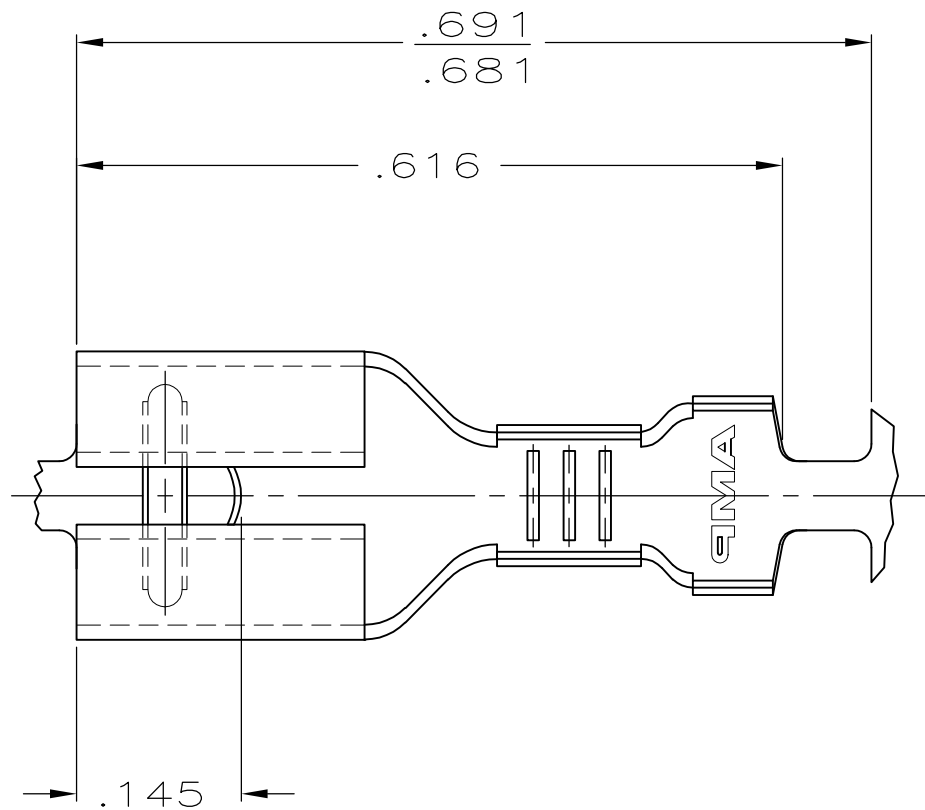
ALL RIGHTS RESERVED.

© COPYRIGHT - By -

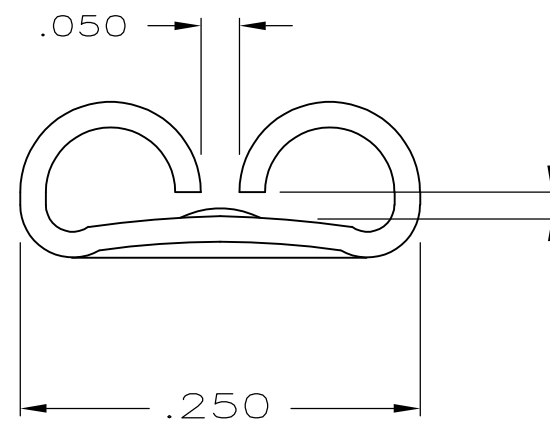
LOC AF DIST 50

REVISIONS

P	LTR	DESCRIPTION	DATE	DWN	APVD
	T	REVISED PER ECR-12-013459	28NOV2012	KH	PD

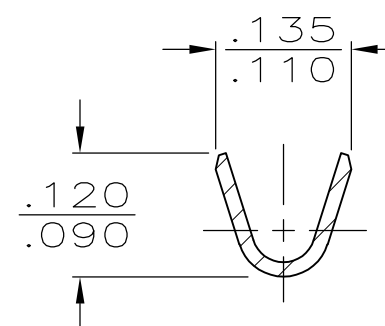
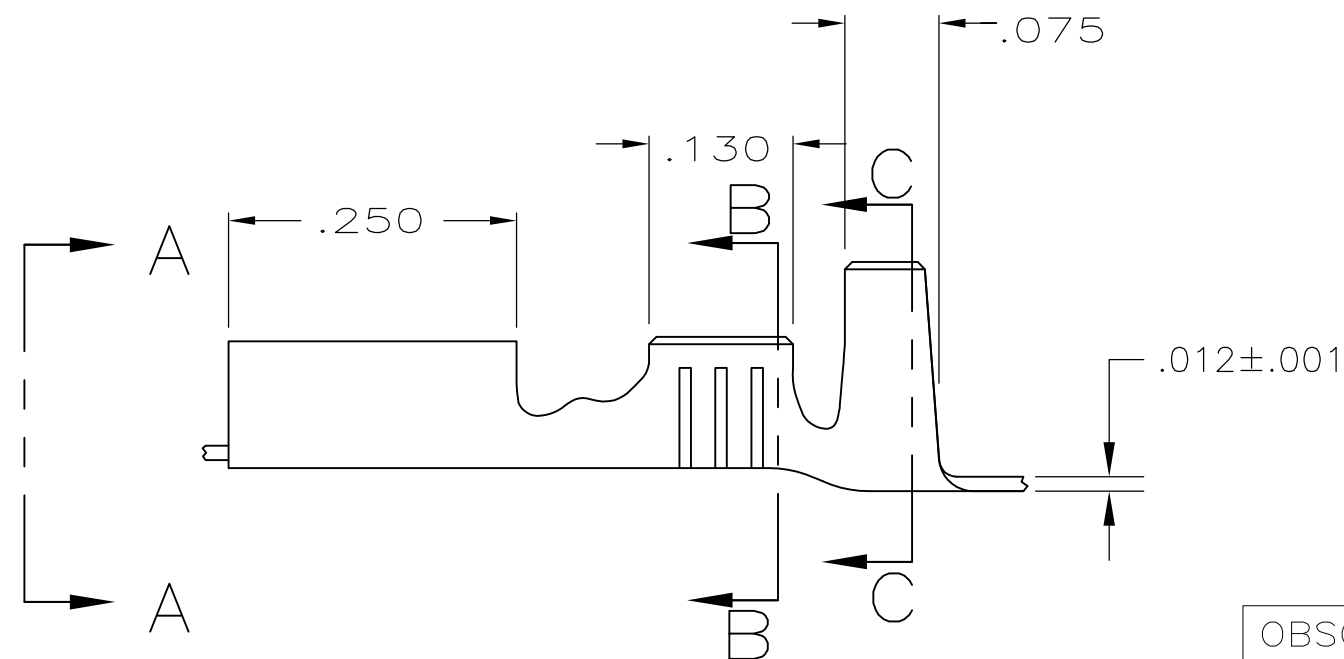


1 CONTINUOUS STRIP ON REELS

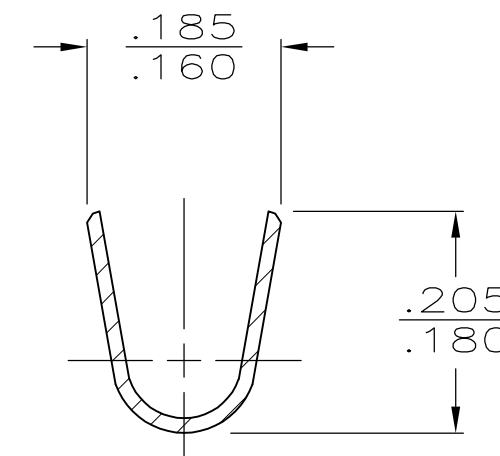


FITS '205' SERIES FASTON TAB

VIEW A-A




SECTION B-B



SECTION C-C

OBSOLETE	TIN				60904-2
	NONE	.032	22-18	.085 - .125	60904-1
	FINISH	MATING TAB THK #.001	WIRE SIZE	INSULATION RANGE	PART NO.

THIS DRAWING IS A CONTROLLED DOCUMENT.		DWN DK SCHRUM 2-24-89	 TE Connectivity RECEPTACLE, FASTON, .205 SERIES			
DIMENSIONS: INCHES		CHK JR RUTH 2-24-89				
TOLERANCES UNLESS OTHERWISE SPECIFIED:		APVD P DESANTIS 2-24-89				
0 PLC ± - 1 PLC ± - 2 PLC ± - 3 PLC ± .015 4 PLC ± - ANGLES ± -		NAME				
MATERIAL BRASS	FINISH SEE TABLE	PRODUCT SPEC -	SIZE A3	CAGE CODE 00779	DRAWING NO C-60904	RESTRICTED TO -
CUSTOMER DRAWING			SCALE 6:1	SHEET 1 OF 1	REV T	