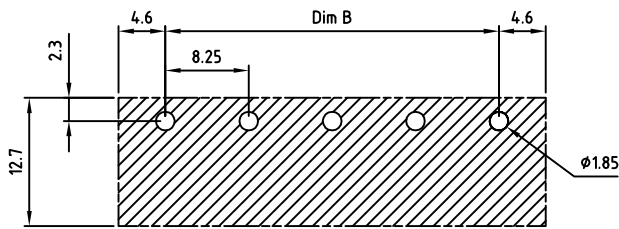
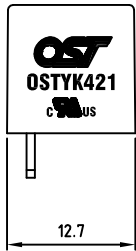
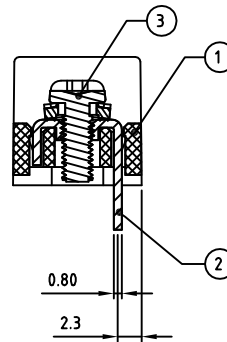
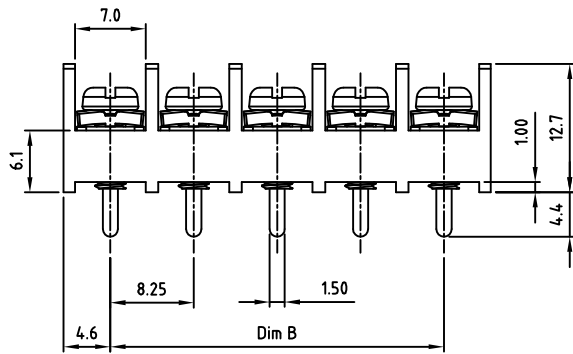
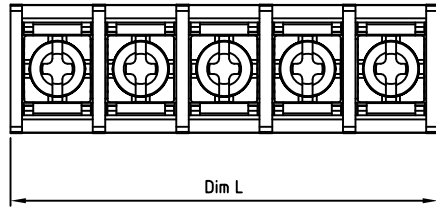


Transfer or duplication of this document as well as the utilisation or communication of its content are not permitted unless express consent is granted. Violations give rise to claims for damages. All rights reserved in case of patent, utility model or design patent registrations.



PCB LAYOUT

Technical data

1. Nominal voltage: 300V/20A
PITCH: 8.25mm
2. Connection capacity:
AWG 26-12
3. Insulation Withstanding Voltage:
AC 2000V/MIN
4. Insulation Resistance:
1000M Ω or more at DC500V
5. Tightening torque:
10 Lb-In (1.15N.m/11.5kgf.cm)
6. Screw thread: M3
7. Operating temperature range: -40°C ~ 115°C
Soldering temperature: 250°C \pm 10°C / 5s
8. Undimensioned Tolerances:

Dim.L=(P-1)x8.25+9.25		
Dim.B=(P-1)x8.25		
P= number of poles (2-20p)		
0-30mm	±0.15	±0.20
over 30mm-60mm	±0.20	±0.25
over 60mm-90mm	±0.25	±0.30
over 90mm-140mm	±0.30	±0.40
over 140mm	±0.50	±0.80

9. Safety approval:
10. RoHS Compliance

Part No.: OSTYK421XX030

No. of Poles
02 2 Poles
03 3 Poles
... ..
24 24 Poles

3	SCREW+WASHER	STEEL	M3x0.5, Ni Plated	P
2	CONTACT	BRASS	M3x0.5, Tin PLATED	P
1	BODY	PC UL94V-0	Black	1
ITEM	NAME OF PART	MATERIAL	NOTES	Q'TY
DWG.	WF. Zhang	DATE	2016.03.30	UNITS: MM SHEET: 1 OF 1 Tolerance
CHK.	WF. Zhang	DATE	2016.07.12	SCALE: NONE 2:1 (:) REV.: A
APP.		DATE		X. ±0.50 X.X ±0.30 X.XX ±0.10 X* ±1*
		TITLE:	OSTYK421 8.25 Series	
		PART NO.	OSTYK421XX030	
		DWG NO.	OSTYK421XX030.dwg	

	SIGN	DESCRIPTION	CHK.	DATE
--	------	-------------	------	------

ON-SHORE TECHNOLOGY, INC.