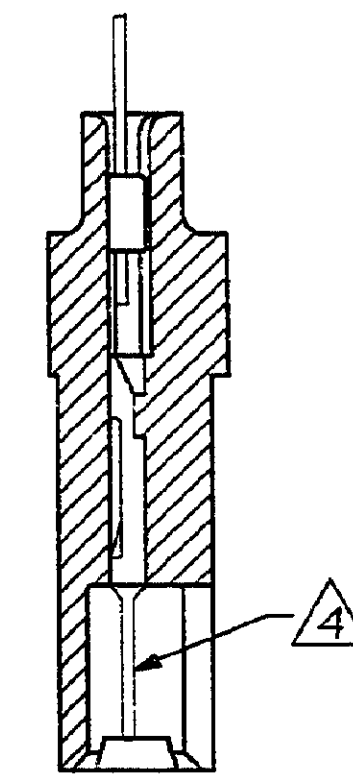
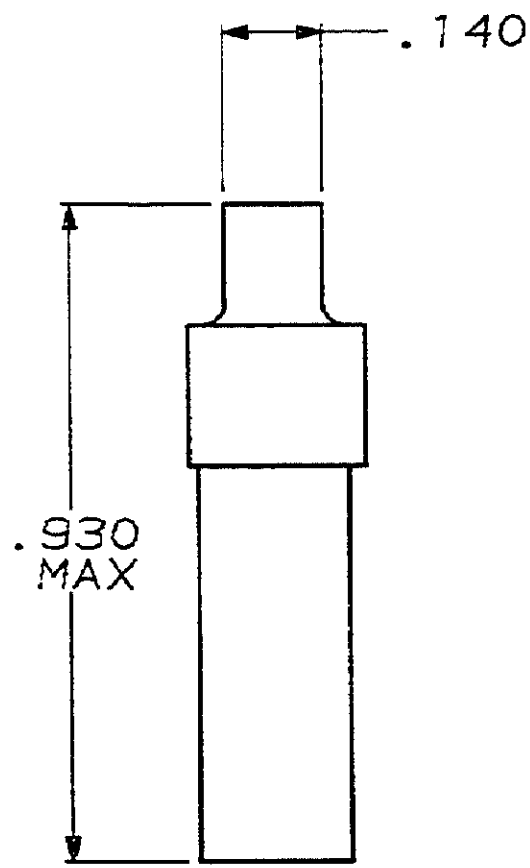
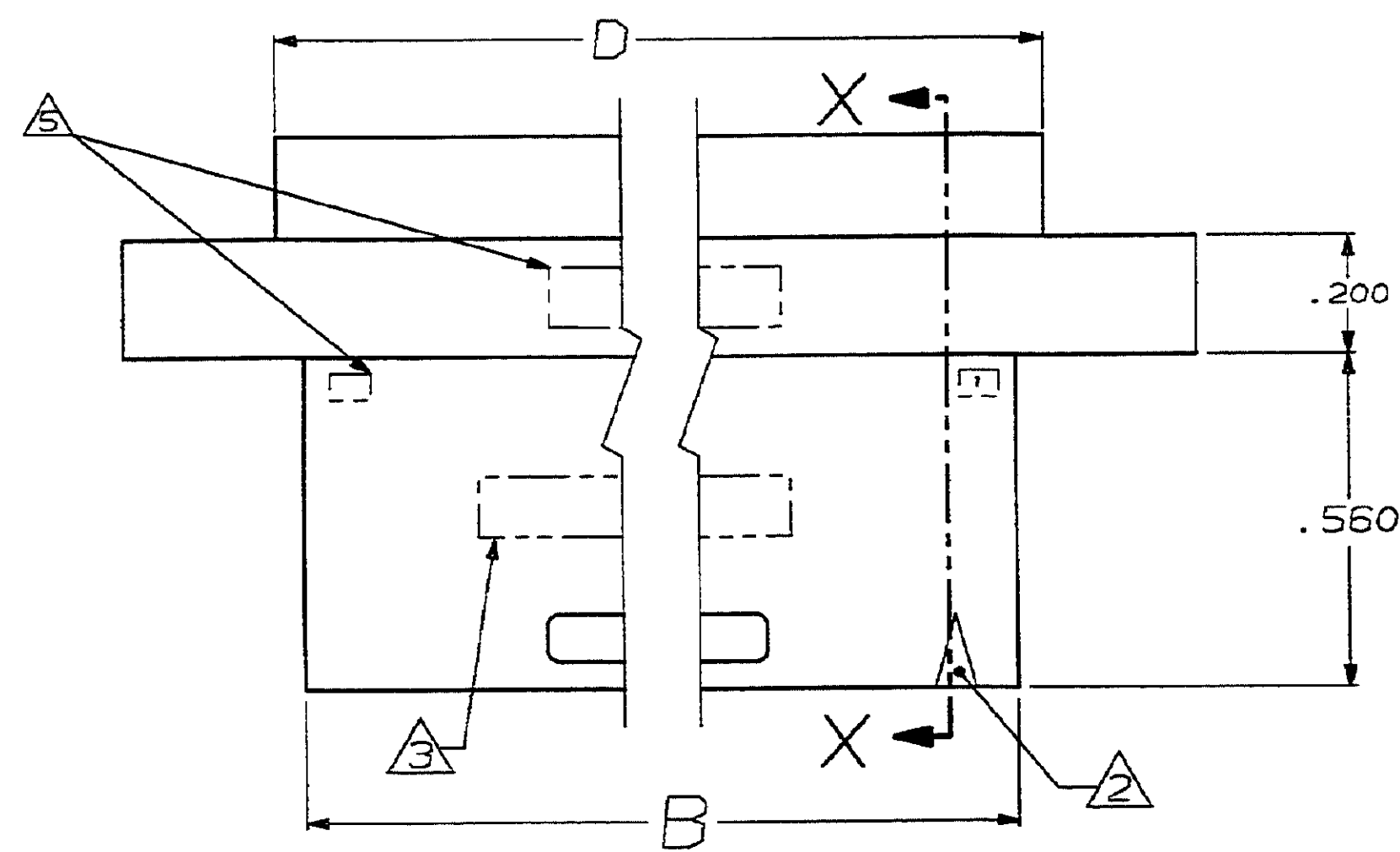
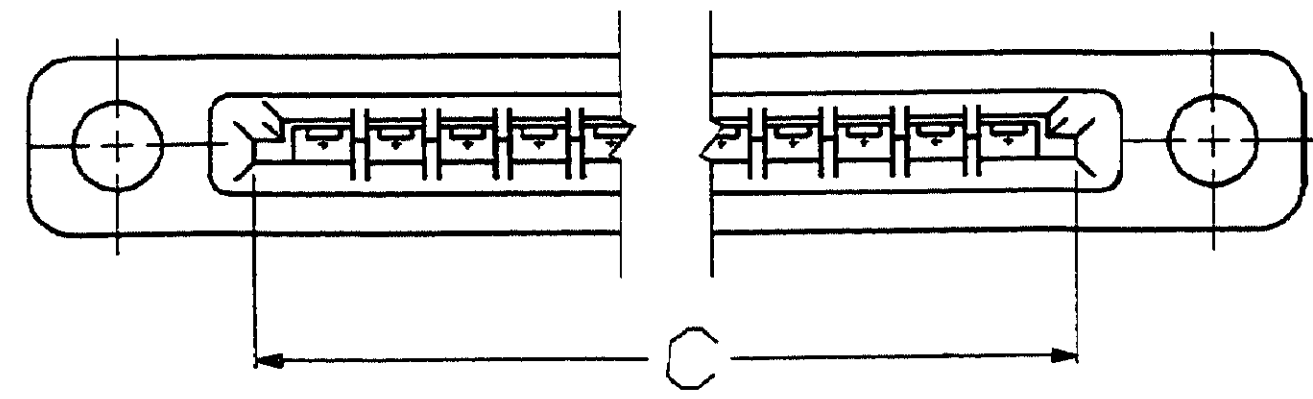
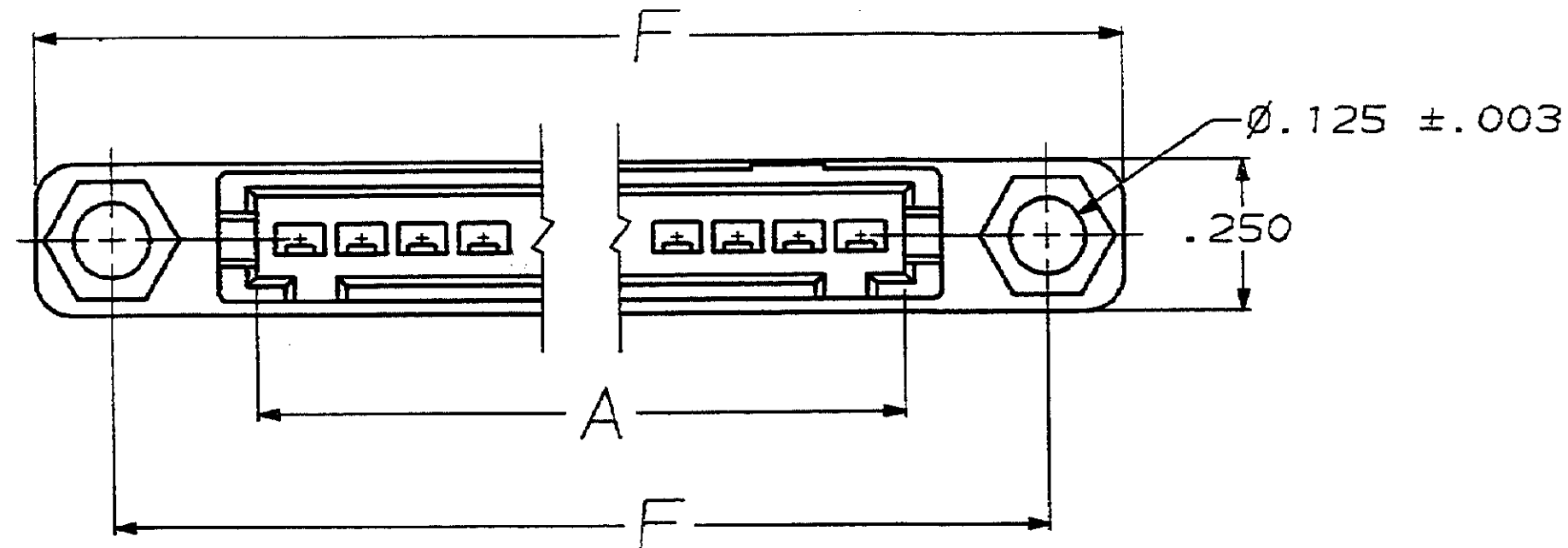


REVISONS			
NO	LOC	DATE	APPD
85	AR	39	

- HOUSING WILL ACCOMMODATE FLEXIBLE FLAT CONDUCTOR CABLE
 .050 OR .062 WIDE CONDUCTORS ON .100 CENTERS AND/OR #32-22 AWG
 WIRE WITH INSULATION RANGE .040-.089 DIA.
- △ CAVITY IDENTIFICATION FOR FIRST POSITION.
 - △ AMP TRADEMARK MOLDED IN AREA SHOWN
 - △ PIN CONTACTS MUST BE ORDERED SEPARATELY.
 - △ CUSTOMER PART NO, FIRST & LAST POSITION NO TO BE INK STAMPED
 WITH WHITE INK, LOCATED APPROXIMATELY AS SHOWN.



SECTION X-X
 CRIMPED CONTACT SHOWN
 FOR REF ONLY



713W72120	1.760	1.510	1.250	1.126	1.160	1.040	9	10	494031-4
713W72020	1.260	1.010	.750	.626	.660	.540	4	5	494031-2
CUSTOMER PART NUMBER	F	E	D	C	B	A	NO. OF SPACES	NO. OF POSN	PART NO

DO NOT SCALE PRINT. UNLESS SPECIFIED DIMENSIONS IN INCHES TOLERANCES ON: 2 PLC DEC ± - 3 PLC DEC ± .005 ANGLES ± -		DR 1/17/89 KATE HELM CHK 3-3-89 D.ROCKER APPD 3-3-89 G.D.MILLER APPD 3-3-89 W.PARKER PRODUCT SPEC -	AMP AMP INCORPORATED Harrisburg, Pa. 17105
MATERIAL THERMOPLASTIC FLAME RETARDANT COLOR: BLACK		NAME HSG, PIN, SHROUDED, W/MTG EARS, .100¢, FFC	
FINISH -	APPLICATION SPEC -	WEIGHT -	SIZE D FSCM NO 00779 DRAWING NO 494031 SCALE 4:1 SHEET TSN OF TOF